



LIMITED WARRANTY

Three (3) Year Limited Warranty

Lipidex Corporation grants to the direct purchaser a limited warranty for the AirCycler® product line. Specifically, Lipidex Corporation warrants that the product as delivered conforms to published specification and is free from defects in materials and workmanship under normal use for a period of three (3) years from the date of original purchase. This warranty is contingent upon proper use of the product in the application for which it was intended and does not cover products that were modified without the approval of Lipidex Corporation. This warranty is void if the AirCycler® product has been damaged by the installer or that were subjected by the purchaser to unusual physical or electrical stress. Lipidex Corporation does not warrant any product that has been subject to alteration, misuse, negligence, corrosive atmosphere, free chemicals, accident or use and/or operation contrary to Lipidex Corporation recommendations.

Lipidex Corporation will remedy and correct any "manufacturing defects" during the three (3) year warranty period by either (a) repairing the product or (b) replacing the product at the sole expense of Lipidex Corporation less original shipping costs.

Lipidex Corporation is the only party authorized to remedy or correct any manufacturing defects as provided by this limited warranty. Any corrective action taken without the consent of Lipidex Corporation will void this limited warranty.

MANUFACTURER GRANTS NO OTHER WARRANTIES, EXPRESS OR IMPLIED, BY STATUTE OR OTHERWISE, REGARDING THE PRODUCTS. MANUFACTURER GRANTS NO WARRANTIES TO PURCHASER'S CUSTOMERS. PURCHASER MUST COMPLETE WARRANTY PROCEDURE ON BEHALF OF THE CUSTOMER.

MANUFACTURER'S LIABILITY UNDER THE WARRANTY SHALL BE LIMITED TO A REPAIR OR REPLACEMENT OF THE PRODUCT. IN NO EVENT SHALL THE MANUFACTURER BE LIABLE FOR THE COST OF PROCUREMENT OF SUBSTITUTE BY PURCHASER OR PURCHASER'S CUSTOMER FOR ANY SPECIAL, CONSEQUENTIAL OR INCIDENTAL DAMAGES FOR BREACH OF WARRANTY.

AN INVOICE, PURCHASE RECEIPT OR OTHER PROOF OF PURCHASE IS REQUIRED FOR LIMITED WARRANTY SERVICE.



DAMPER INSTRUCTIONS & USER'S GUIDE

Technical Support:
1.877.FAN.CONTrol

AirCycler® - A Division of Lipidex Corporation
www.aircyclers.com

www.aircyclers.com

***THIS INSTRUCTION SHEET IS A GENERAL GUIDELINE FOR DAMPER INSTALLATION. IF YOU ARE USING THIS MOTORIZED DAMPER WITH AN AIRCYCLER® WHOLE HOUSE VENTILATION SOLUTION (PRODUCTS SHOWN BELOW), PLEASE REFER TO THE INSTRUCTIONS IN THE CONTROLLER PACKAGING FOR FURTHER DETAILS.**

Description	Part Number
AirCycler® FRV Controller	ACFRV
AirCycler® FRV Controller & 4" Damper	ACVS-04
AirCycler® FRV Controller & 6" Damper	ACVS-06
AirCycler® FRV Controller & 8" Damper	ACVS-08
AirCycler® FRV Controller & 10" Damper	ACVS-10
AirCycler® G2 Controller	ACG2
FanConnect™ switch	ACFCS
AirCycler® G2 Controller, FanConnect™ switch & 4" Damper	ACG2K-04
AirCycler® G2 Controller, FanConnect™ switch & 6" Damper	ACG2K-06
AirCycler® G2 Controller, FanConnect™ switch & 8" Damper	ACG2K-08
AirCycler® G2 Controller, FanConnect™ switch & 10" Damper	ACG2K-10

For more information about the above AirCycler® products, please visit: www.aircycler.com/products

SAFETY CONSIDERATIONS

Read and follow manufacturer's instructions carefully. Follow all local electrical codes during installation. All wiring must conform to local and national electrical codes. Improper wiring or installation may result in personal injury or product and property damage.

- Make sure all power to the furnace is turned

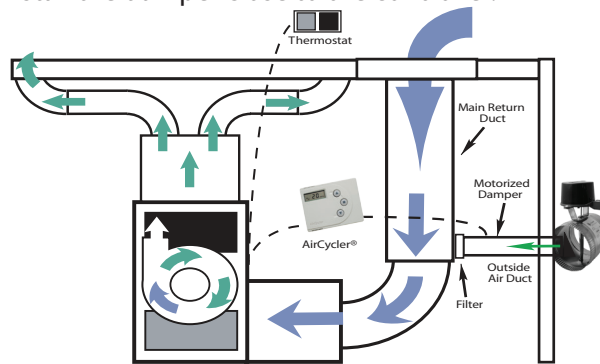
off before installation. *Note: There may be more than one power source to disconnect. Electric shock can cause injury or death.

- Read and follow all instructions carefully.
- *Note: If you are installing this damper with and AirCycler® controller, refer to the product packaging for more detailed instructions.
- Be sure to follow all local and national electrical codes.
- Use caution when installing and mounting the damper and related controllers.

DAMPER INSTALLATION

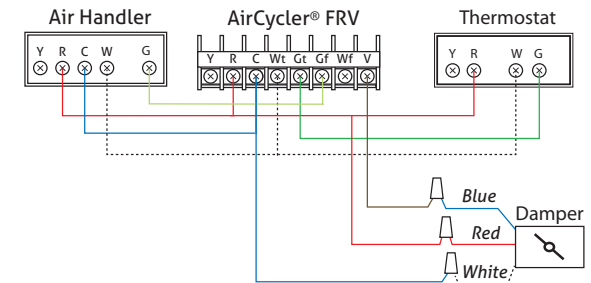
Choose a damper location

This fresh air damper can be installed anywhere in the inlet duct in the home. The wiring configuration is flexible. In order to improve airflow and overall efficiency, it is recommended that you minimize the length of the inlet duct and install the damper close to the controller.



The damper may be installed in any position. It is recommended to install with the motor at the 12 o'clock position it mounted horizontally. Air may flow through in either direction, although it is recommended to install with the crimped end as the outlet of the damper. Use care to avoid distorting the damper housing, and provide adequate support.

AIRCYCLER® FRV/VS WIRING DIAGRAM



AIRCYCLER® G2-K WIRING DIAGRAM

