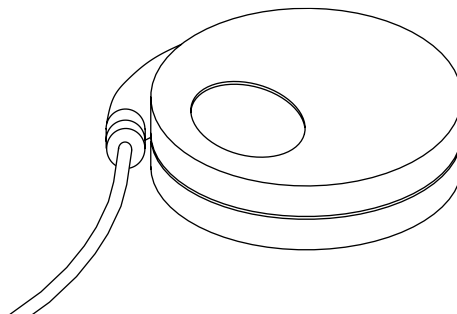

Pi GPS Receiver - 5Hz



Introduction

The Pi GPS receiver tracks and uses multiple satellites for fast and accurate measurement of both position and velocity.

Its nonvolatile memory does not require battery backup while an on board rechargeable battery can maintain the real time clock for up to 10 days.

It has a waterproof polycarbonate body and can be used with either a magnetic or a screw down base.

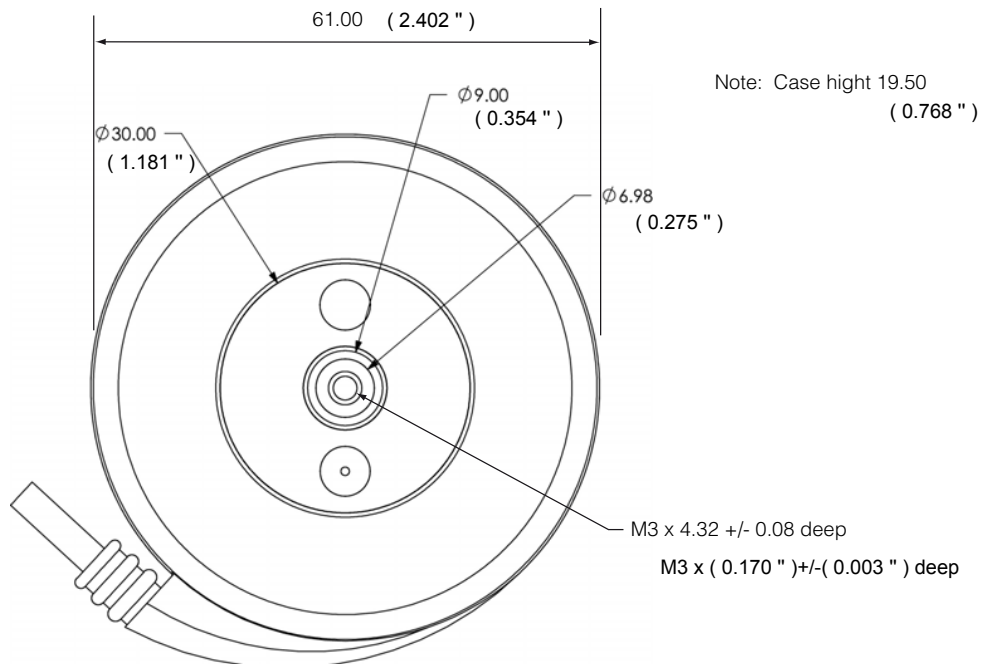
- Accuracy: Better than 15 meters, (95% typical)
- Data updated: 5 times per second
- Cable Length: 1.5 metres
- Integrated antenna
- Compact rugged design
- No programming needed

Installation

When installing the sensor:

- select a position where the sensor will not be in constant contact with water, fuel or oil;
- protect the sensor from vibration;
- make sure that the sensor will not be affected by heat soak;
- make sure that air can flow over the sensor to keep it below 80°C;
- try not to place the sensor near sources of electrical interference i.e. ignition coils, plug leads, ECUs, alternators and telemetry antennas.
- mount the sensor such that it has a clear view of the sky for optimum satellite reception.

Dimensions



Dimensions in millimetres (Inches)

Connector information

Connector	Mating connector
Sure Seal 3 way Socket	Sure Seal 3 way Plug

Pinout	Connection
1	Ground
2	Signal
3	Power (5V)

Ordering information

Product	Part number
Pi GPS Receiver	01F-050660

Specifications

Description	Value
Supply voltage	+4.0V to +5.5V
Supply current	100 mA
Operating Temperature range	-30°C to +80°C
Storage Temperature range	-40°C to +90°C
Weight	165 grams
Case	Polycarbonate thermo-plastic
Waterproof to	IPX7

