


# **MAGNUM**

# **15,000 HD**

## **MODEL**

## **INSTALLATION**

## **INSTRUCTIONS**

www.  .com  
**BOAT LIFTS**  
sales@lunmar.com  
3715 Hwy. 27 South • Sulphur, LA 70665  
(337) 558-7200 • (800) 965-8544  
Fax (337) 558-7202

**Prior to installation:**

- a). To insure that the lift will operate properly, adequate electricity should be available. Electricity will also be needed to install the lift.
- b). Insure that the pilings are at least 18" high above the deck of the pier.
- c). The lift pilings should be driven in the ground to refusal. Otherwise the weight of the boat will sink the piles.
- d). If existing piles are to be used, insure they are not cracked or show any signs of decay.
- e). obtain any locally required permits.

**DO NOT USE ANY POWER TOOLS WHILE STANDING IN THE WATER. IF ELECTRICITY MUST BE USED NEAR THE WATER, INSURE THAT THE CIRCUIT IS PROTECTED BY A GROUND FAULT INTERRUPTER.**

- 1).The standard Magnum 4 pile lifts are shipped to be mounted in either the Inside/Inside or Outside/Outside configuration. The supplied bunks are 16 feet 15,000 lb. When determining which configuration to use, you must consider the length of the bunks. For example a fore and aft pile spacing of 14 feet will be too long to go outside/outside on a 15,000 lb. lift. You must go Inside/Inside. Ideally the cradle should be 12 feet to 14 feet long. (fig. 4a)
- 2).The cradle travels up and down next to the pilings. If the pilings are part of the dock cut out the deck boards as shown in figure 004b.
- 3).Mount the spacer block (fig. 003 #34) in accordance with fig. 004c. Before mounting the block, determine how high you want the cradle to come. We recommend that the middle bolt be 10 inches above the deck boards. This will allow the cradle to come up just above the deck when the lift is in the full up position. The spacer blocks should always be used. They give the cradle extra clearance between the pilings on the dock side. It may be necessary to shave or notch the pilings with a chainsaw or a hatchet to give the blocks a 3/8 of an inch lean away from the piling at the top. Attach the block with 2 each 40p nails.
- 4) Mount the pile mounts as shown in figure 003 using three 5/8 inch carriage bolts. The middle bolt hole should be 10" above the deck. There is enough cable supplied to lower the cradle 9 feet from sheave S1 (fig. 005).
- 5).Mount the corresponding back covers onto the gear plates. There is one long cord motor and one short cord motor. The long cord should go to the bow and the short cord to the stern. Mount the motors, pulleys and belts onto the gear plate (figure 005) . Place the gear plates onto the cable drums. Install the spacer sleeves, motor anchors and the 1/2 inch washer/shim (39). The shim is important and must be placed between the motor anchors and the pile mounts.
- 6).Bring the long cord switch to the stern pile mount. There should be enough wire to run under the pier and back to the stern portion of the lift. Run the long cord switch into the slot of the short cord back plate so that both switches are in the same location. (figure 007). Attach the front covers to the back covers (fig.007). Mount the switches as per figure 007 on the most convenient side of the front cover (figure 007). Use the 2 tie wraps to secure any loose wires inside the cover. If one or both of the motors are running in the wrong direction you must change the wiring inside of the motor. This is easily done. Remove the access plate from the end of the motor and follow the directions on the motors data plate.
- 7).Mount the outside hangers (figure 002 # 10) as shown in figure 004b. The mounting height is found by measuring the distance from sheave S1 to the water and adding 10 inches. Also the hanger should be angled slightly towards the dock. This is the drilling height mark. When mounting the outside hanger, it is important that the length of the lifting beam be equal to the distance

between the outside hanger sheave and sheave S1. (Figure 011a). The outside hanger can be turned slightly more towards the dock to accomplish this. However the outside hanger cannot be turned away from the dock, as this will pull the lift beam into the piling. If the beam is too long, it may be cut to size and reassembled as in figure 009A.

- 8). Match the left lifting beam to the left pile mount and suspend the lifting beams using chains or a scaffolding. Upon installation the outside of the lift should be 2" to 3" higher than the dockside. Over time this will level out by itself. Route the cables as shown in figures 11A,11B and 11C. The longer cables run to the outside and the shorter cables to the inside. Attach the cables to their anchor points on the outside hanger and cable tie off. From the drum, even both lengths of cable so that equal amounts of cable will be wrapped onto both sides of the drum. Secure the cable clamps to the cable tightly. Slip the bitter ends back into the end of the drum, then pull on each cable where it exits the drum. This will eliminate any exposed ends of the cable. Wind the cable onto the drum keeping it tight and neat without criss-crossing. If the lift is not level when raised, shorten or lengthen the cable 2 inches for every inch low or high until it is 2" to 3" high on the outside.
- 9). Heavy Duty bunks are designed to lift the boat directly under the flat lifting strakes. They are ideally suited for deep Vee bottom sport boats and cruisers. Install the guide poles and position the bunks onto the lifting beams in the manner outlined in figure 013. If the bunks are not prefabricated, assemble them as shown in figure 012 using a 7/16 inch diameter, 12 inch long drill bit. Install the U-bolts from the bottom of the lift beam up with the 7" x 7" U-bolt plate between the bunk I beam and the bunk timber. Please note that the boat must be closer to the GEAR side of the lift than to the outside of the lift to function properly. The bow and stern pads are optional. Fit the boat as in figure. Drill the holes for the catwalk supports and attach them to the lift beams. Mark and drill the angles and bolt the frame together as shown in figure 010. Attach the 2 x 10 walk board to the top of the frame.

#### **IMPORTANT**

**A GOOD HEAVY GREASE MUST BE APPLIED TO THE GEAR UNITS PRIOR TO LIFTING A BOAT. THE GREASE THAT COMES ON THE GEARS FOR SHIPMENT, IS NOT ENOUGH TO INSURE PROPER LUBRICATION. IT IS BEST TO APPLY THE GREASE WHILE THE UNITS ARE RUNNING. UPON LIFTING THE BOAT, IF ANY GRINDING OR FINE POWDER IS OBSERVED COMING FROM THE WORM GEAR, REAPPLY THE GREASE. AFTER THE GEARS HAVE SEATED, ONLY ANNUAL LUBRICATION IS REQUIRED.**

- 10). When fitting the boat (fig 014, 015), only about 2' -3' of hull extends beyond the stern lifting beam, the remainder is off the bow. The flat strakes on the hull should rest squarely on the bunks ( fig 015). Carpet and install the bow and stern pads if the hull is coming in contact with the lifting beams.

**"HD" MODEL LIFT: 15,000 LB  
PARTS LIST**

NO.	ITEM DESCRIPTION	QTY
1	8" x 15# x 15' LIFT BEAMS	2
1a	6" x 9# x 15' BUNK BEAM	2
2	GUIDE POLE STANTIONS	4
3	2" PVC PIPE 8' LENGTHS	4
4	PVC GUIDE POLE CAPS	4
5	GUIDE POLE PLATES (CLAMPS)	8
6	1/2" BORE SHEAVES	6
7	5/8" BORE ALUMINUM SHEAVE	8
8	OUTSIDE BEAM ADAPTERS	1PR
9	INSIDE BEAM ADAPTERS	1PR
10	OUTSIDE PILING SHEAVE HANGERS	2
11	10" PILE MOUNTS WITH SHEAVES, BEARINGS, AND CABLE TIE OFF INSTALLED	2
11a	CABLE TIE OFF	2
12	MOTOR ANCHORS	2
13	GEAR PLATES	2
14	7" PULLIES	2
15	4L300 BELTS	2
16	SPACER SLEEVES	2
17	10" SPOOL SHIELDS	2
18	5/16" CABLES (2 LONG + 2 SHORT-WITH EYELETS)	4
19	3/4 HP MOTOR WITH LONG CORD	1
20	3/4 HP MOTOR WITH SHORT CORD	1
21	HINGED COVERS	2
22	U-BOLT PLATES	4
23	ROLLS CARPET 6" WIDE x 16' LONG	2
24	CARPET PIECES 6" x 24" (BOW AND STERN PADS)	2
25	CATWALK SUPPORTS	2
26	CATWALK ANGLE 2 1/2 x 2 1/2 x 15'	1
27	CATWALK ANGLES 1 1/2" x 1 1/2" x 4'	2
<b>HARDWARE BAGS (PART NUMBERS NOT SHOWN ON DRAWINGS)</b>		
28	COVER HARDWARE PACK	1
29	GUIDE POLE PACK	1
30	"HD" BUNK PACK	1
31	PILE MOUNT ATTACHING PACKAGE-WITH CABLE CLAMPS	1
32	RAISED CATWALK PACK	1

**"HD" MODEL LIFT: 15,000 LB****OPTIONAL WOOD**

<b>NO.</b>	<b>ITEM DESCRIPTION</b>	<b>QTY</b>
33	4" x 6" x 16' CCA TIMBERS FOR BUNKS	2
34	2" x 10" x 16' CCA BOARD FOR WALKWAY	1
35	2" x 4" x 22" FOR PADS	2
36	3" x 6" x 24" FOR SPACER BLOCKS	2

**GALVANIZED**

37	3/8" PLAIN NUT	22
38	1/2" PLAIN NUT	16
39	5/8" PLAIN NUT	22
40	3/4" PLAIN NUT	4
41	1/2" WASHER	14
42	5/8" WASHER	8
43	3/4" WASHER	4
44	3/8" x 1" HEX	10
45	1/2" x 1 1/2" HEX	20
46	1/2" x 5 1/2" HEX (NOT USED)	0
47	3/4" x 12" HEX	4
48	3/8" x 3 1/2" CARRIAGE (NOT USED)	0
49	3/8" x 7" CARRIAGE	8
50	3/8" x 9" CARRIAGE	4
51	5/8" x 14" BUTTON	6
52	5/8" x 15" U-BOLT	8

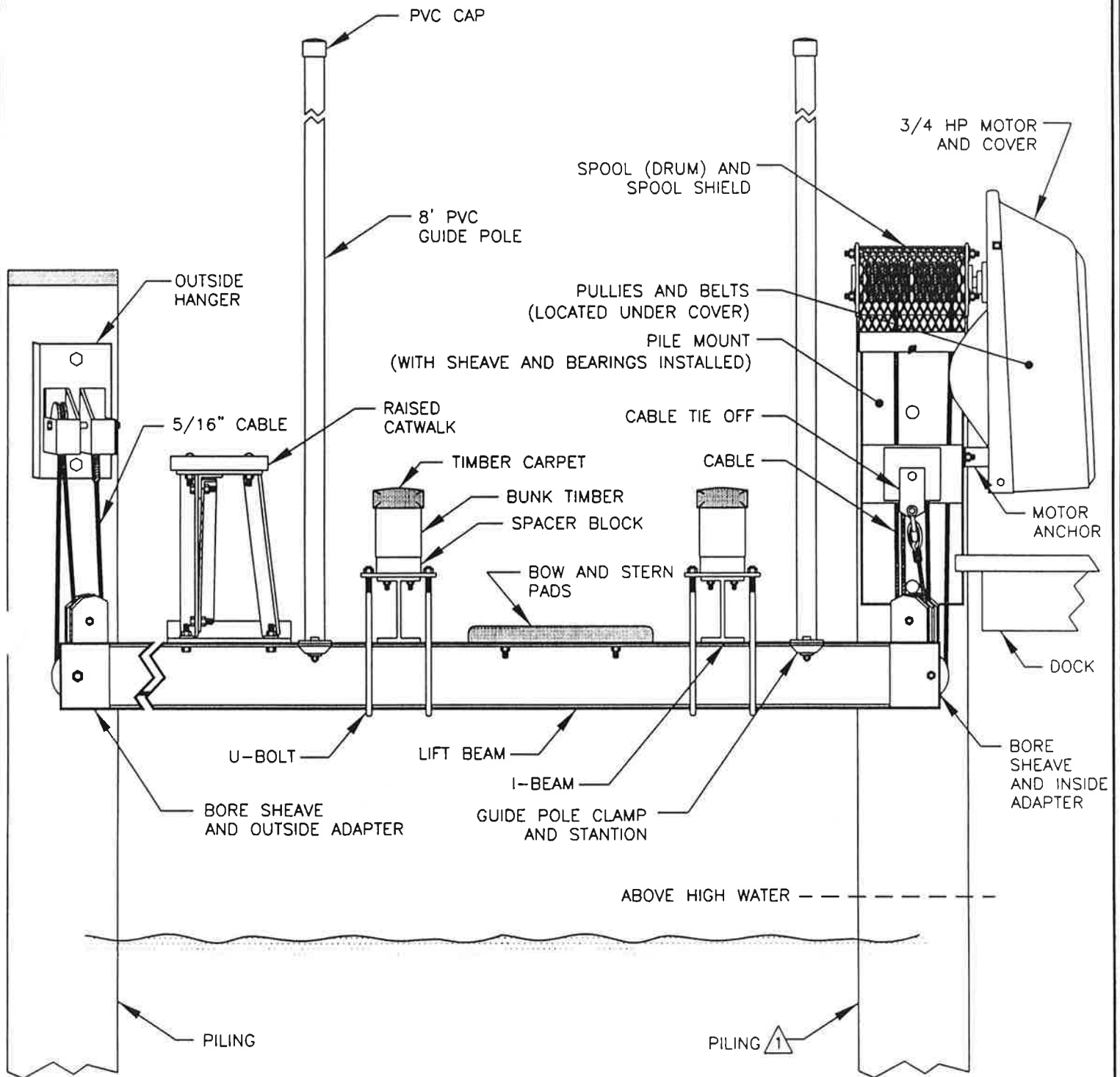
**STAINLESS**

53	5/16" PLAIN NUT	9
54	1/2" LOCKNUT	4
55	1/2" WASHER	12
56	1/2" x 4" HEX	2
57	5/8" x 3" HEX	2
58	5/8" x 6" CNTR SINK	4
59	5/8" LOCKNUT	8
60	5/16" x 2 1/2" CARRIAGE	9
61	5/16" x 1" HEX BOLT	4
62	5/16" FLAT WASHER	4
63	5/16" LOCKNUT	4



GENERAL NOTES:

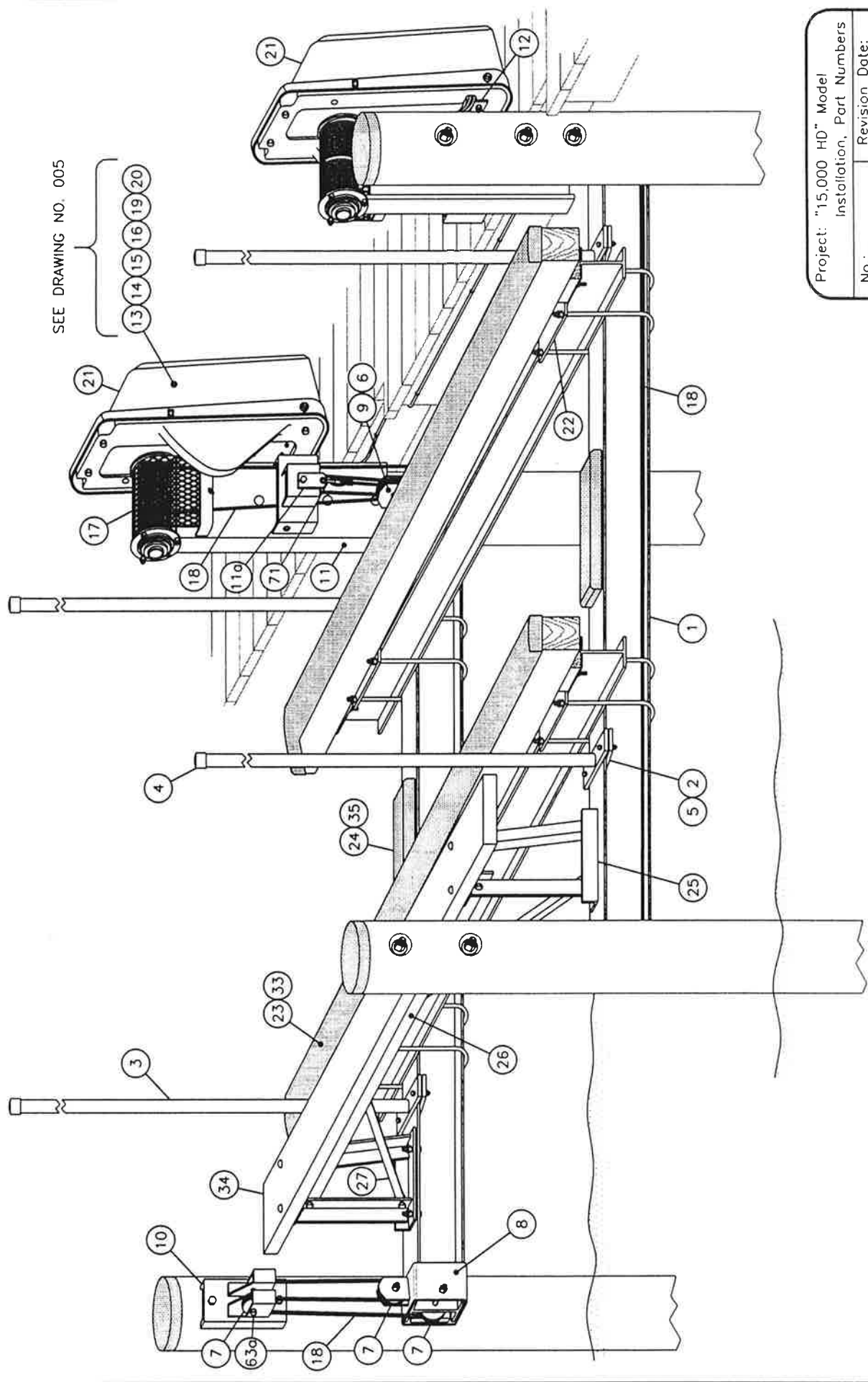
1 IMPORTANT—PILINGS SHOULD BE SECURELY ANCHORED TO A SEAWALL OR INTEGRATED INTO A DOCK.



Project: "15,000 HD" Model, Assy		
Drawing Part Names (Piling Mount)		
No.:	Revision Date:	
001		
Scale:	Date:	Sheet:
None	03-08-01	1 of 1

GENERAL NOTES:

1. FOR LIST OF MATERIALS RELATED TO PART NUMBERS, SEE PARTS LIST.

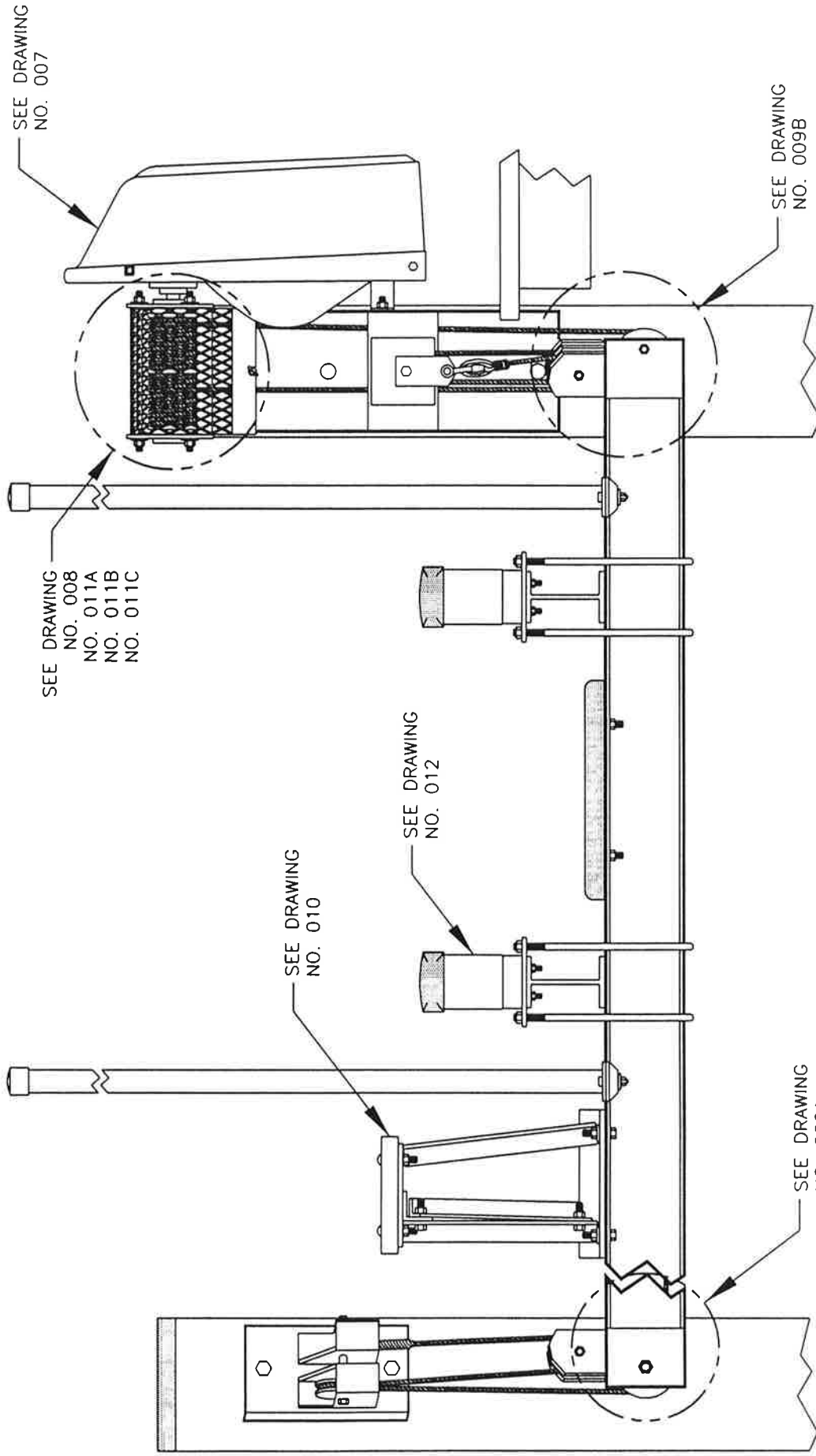


Project: "15,000 HD" Model	
Installation, Part Numbers	
No.: 002	Revision Date:
Scale: None	Date: 03-09-01
Sheet: 1	of 1



GENERAL NOTES:

1. FOR A DETAIL DRAWING OF VIEW CALLED OUT, GO TO SPECIFIED DRAWING.

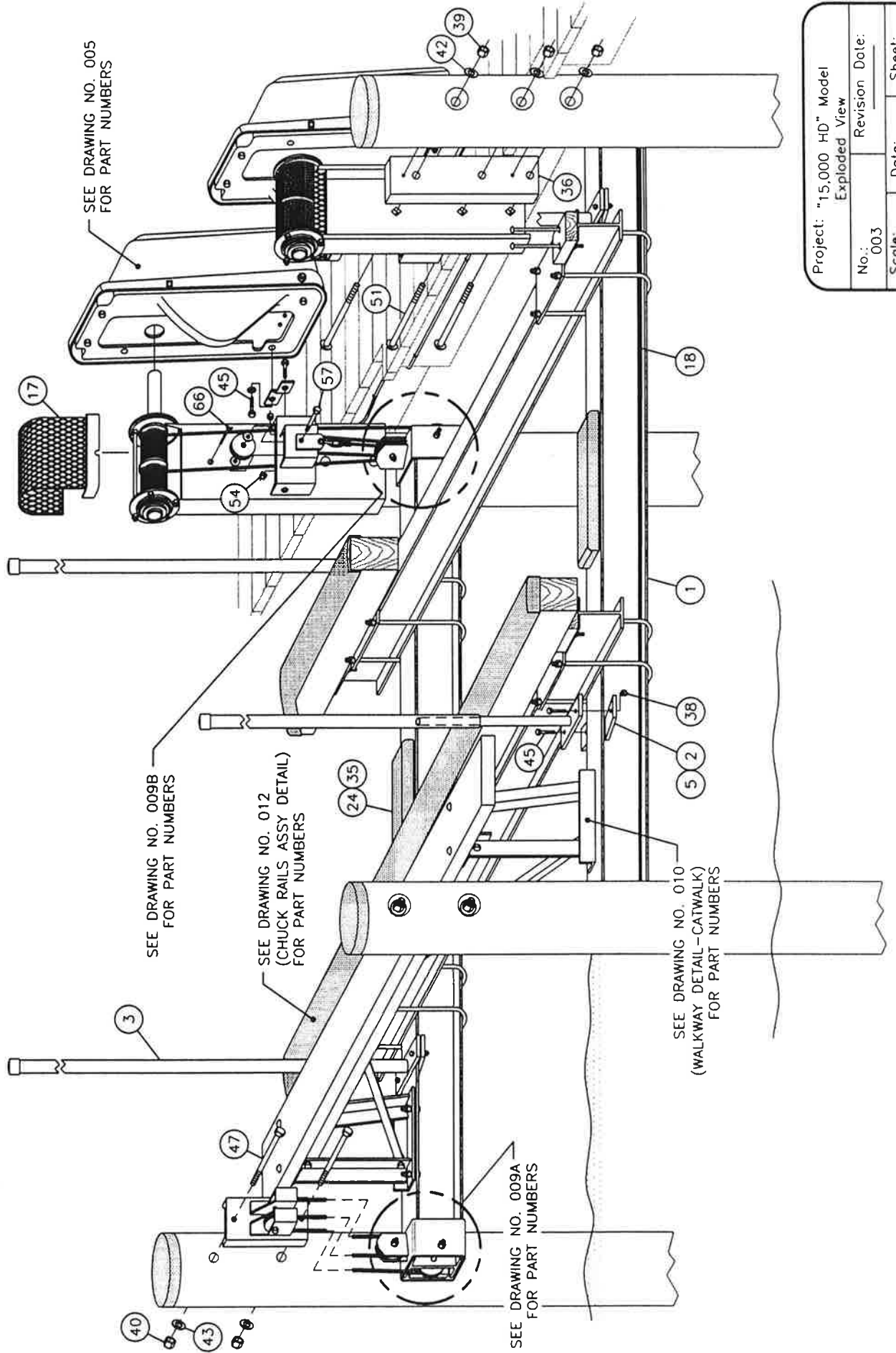


Project: Key To Detail Drawings

No.:	006	Revision Date:	
Scale:	None	Date:	03-08-01
		Sheet:	1 of 1

GENERAL NOTES:

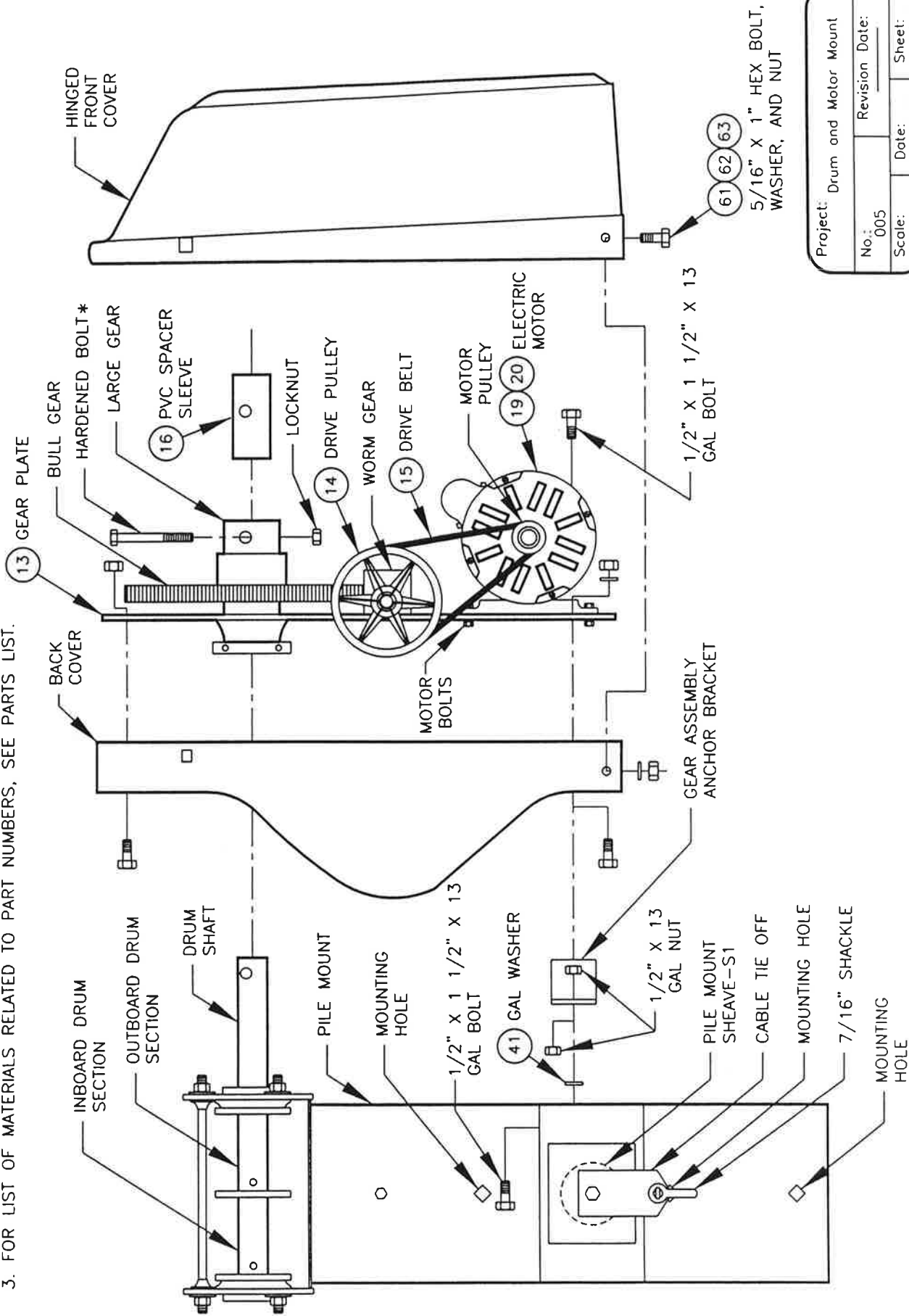
1. FOR LIST OF MATERIALS RELATED TO PART NUMBERS, SEE PARTS LIST.



Project: "15,000 HD" Model			
Exploded View			
No: 003	Date: 03-14-01	Revision Date:	Sheet: 1 of 1
Scale: None			

GENERAL NOTES:

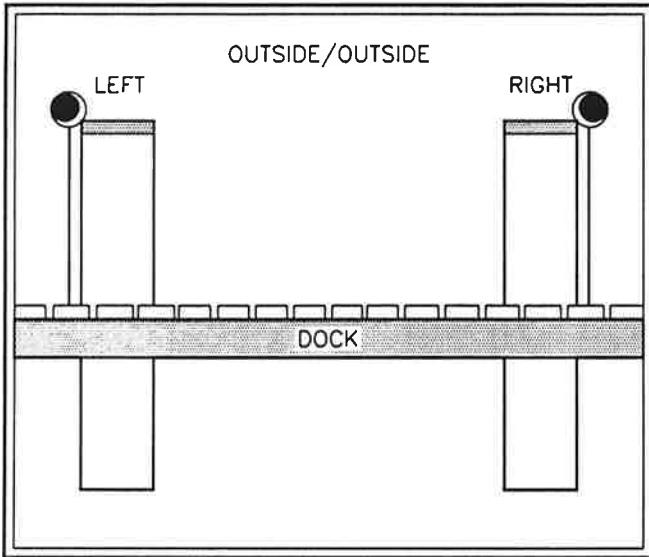
1. \*CAUTION: INSTALL ONLY THE HARDENED BOLT SUPPLIED WITH THE GEAR ASSEMBLY. DO NOT USE ANY OTHER BOLT IN THIS LOCATION.
2. ALL THREE MOUNTING HOLES ARE USED FOR THE 15,000# LIFT.
3. FOR LIST OF MATERIALS RELATED TO PART NUMBERS, SEE PARTS LIST.



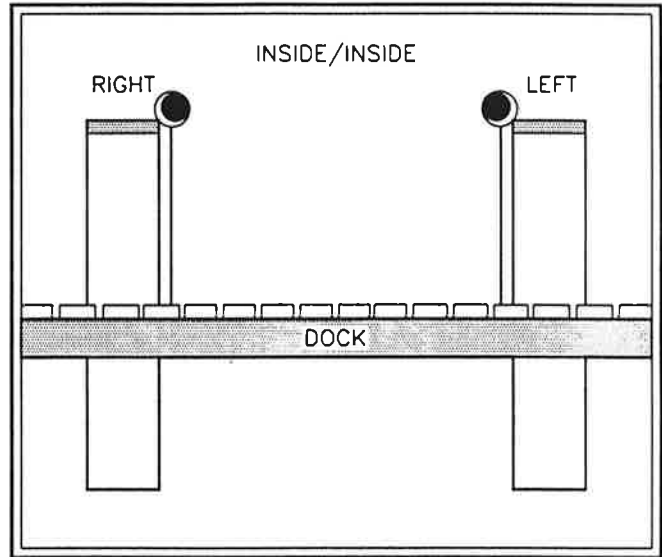
Project: Drum and Motor Mount	
No.: 005	Revision Date:
Scale: None	Date: 03-08-01
	Sheet: 1 of 1

GENERAL NOTES:

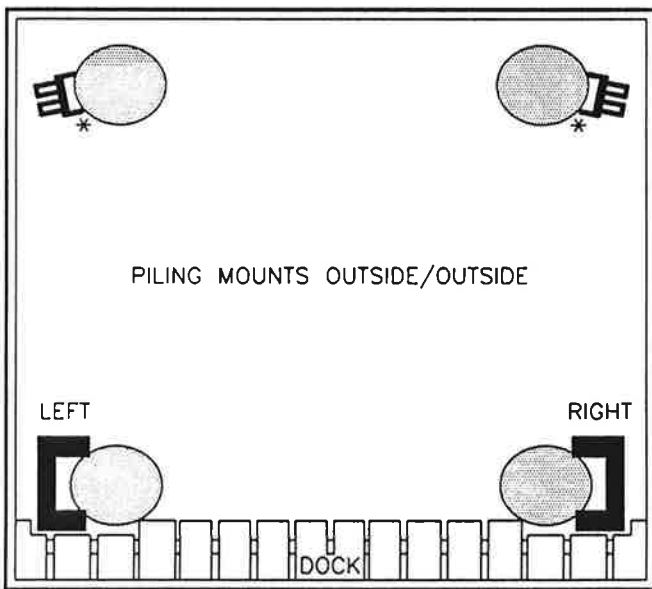
1. DETERMINE WHICH SIDES OF THE PIER PILINGS WILL GIVE THE LIFT A FORE AND AFT SPAN OF 10' TO 13'. THE LIFT CAN BE MOUNTED WITH BOTH PILE MOUNTS FACING ONE ANOTHER OR IN OPPOSITE DIRECTIONS. A SPAN GREATER THAN 13' IS TOO LONG TO ALLOW THE BUNKS TO BE ATTACHED TO THE MAIN BEAMS. IF A LONGER SPAN IS UNAVOIDABLE, LONGER BUNKS ARE AVAILABLE UPON REQUEST.
2. \*DO NOT MOUNT THE OUTSIDE HANGER AT 90° TO THE DOCK, IT SHOULD TURN SLIGHTLY TO THE DOCK SO THE SHEAVE RUNS THE CENTERLINE OF THE PILES.



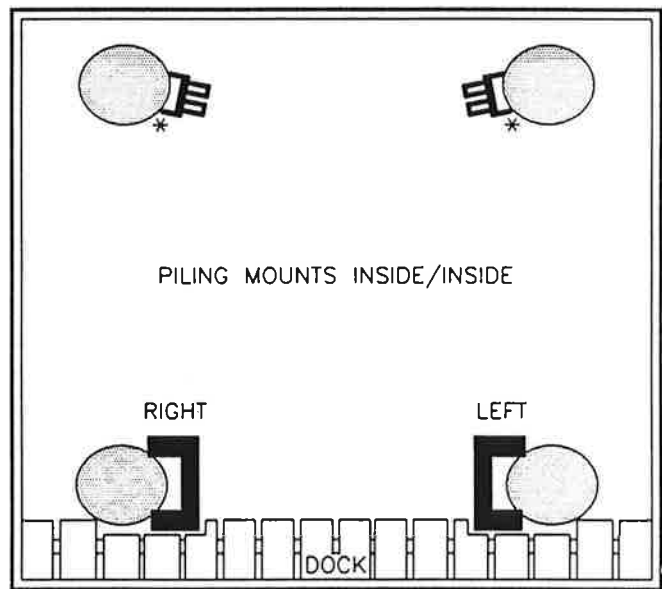
SIDE VIEW



SIDE VIEW



TOP VIEW



TOP VIEW

**DIAGRAM 1**

Project: Pile Mount Positioning		
No.: 004A	Revision Date:	
Scale: None	Date: 03-08-01	Sheet: 1 of 3

GENERAL NOTES:

- IF THE PILING ARE RECESSED INTO THE DECK OF THE PIER, AN OPENING MUST BE MADE TO ALLOW A FREE, UNOBSTRUCTED PATH FOR THE LIFT. THE OPENING SHOULD RUN PARALLEL TO THE PIER STRINGERS FOR A DISTANCE OF 10", THEN TURN 90° TOWARD THE MOORING PILES AND CONTINUING ON TO THE END OF THE DECK BOARDS.

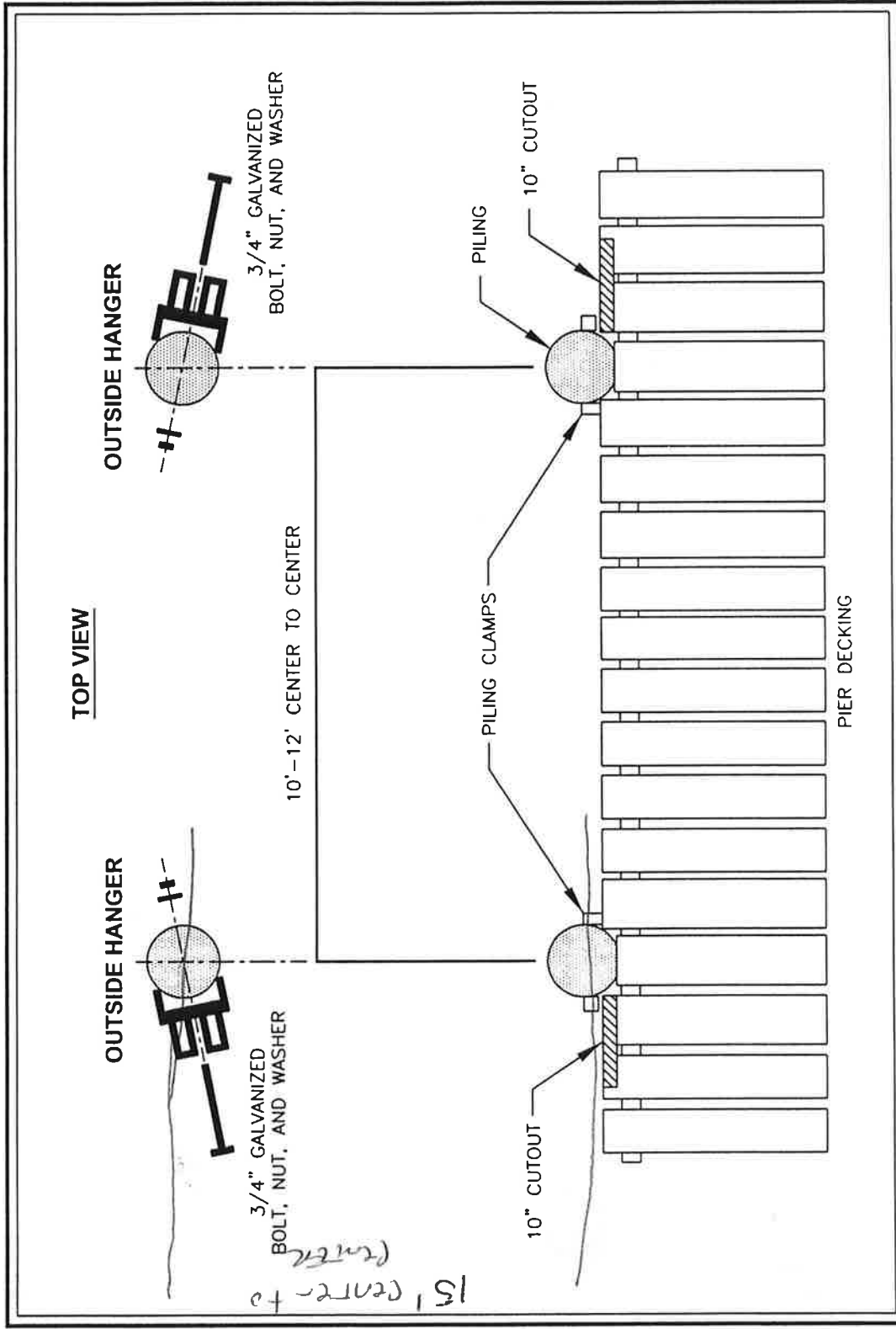


DIAGRAM 2

Project: Pile Mount Dimensions			
No.:	004B	Revision Date:	
Scale:	None	Date:	03-08-01
		Sheet:	2 of 3

GENERAL NOTES:

1. TOO MUCH OR TOO LITTLE 'LEAN' WILL ADVERSLY AFFECT THE OPERATION OF THE LIFT.  
THERE SHOULD BE 3/8" LEAN IN TWO FEET OVERALL LENGTH.
2. SPACER BLOCK IS ATTACHED TO PILING WITH TWO 60p NAILS.
3. FOR LIST OF MATERIALS RELATED TO PART NUMBERS, SEE PARTS LIST.

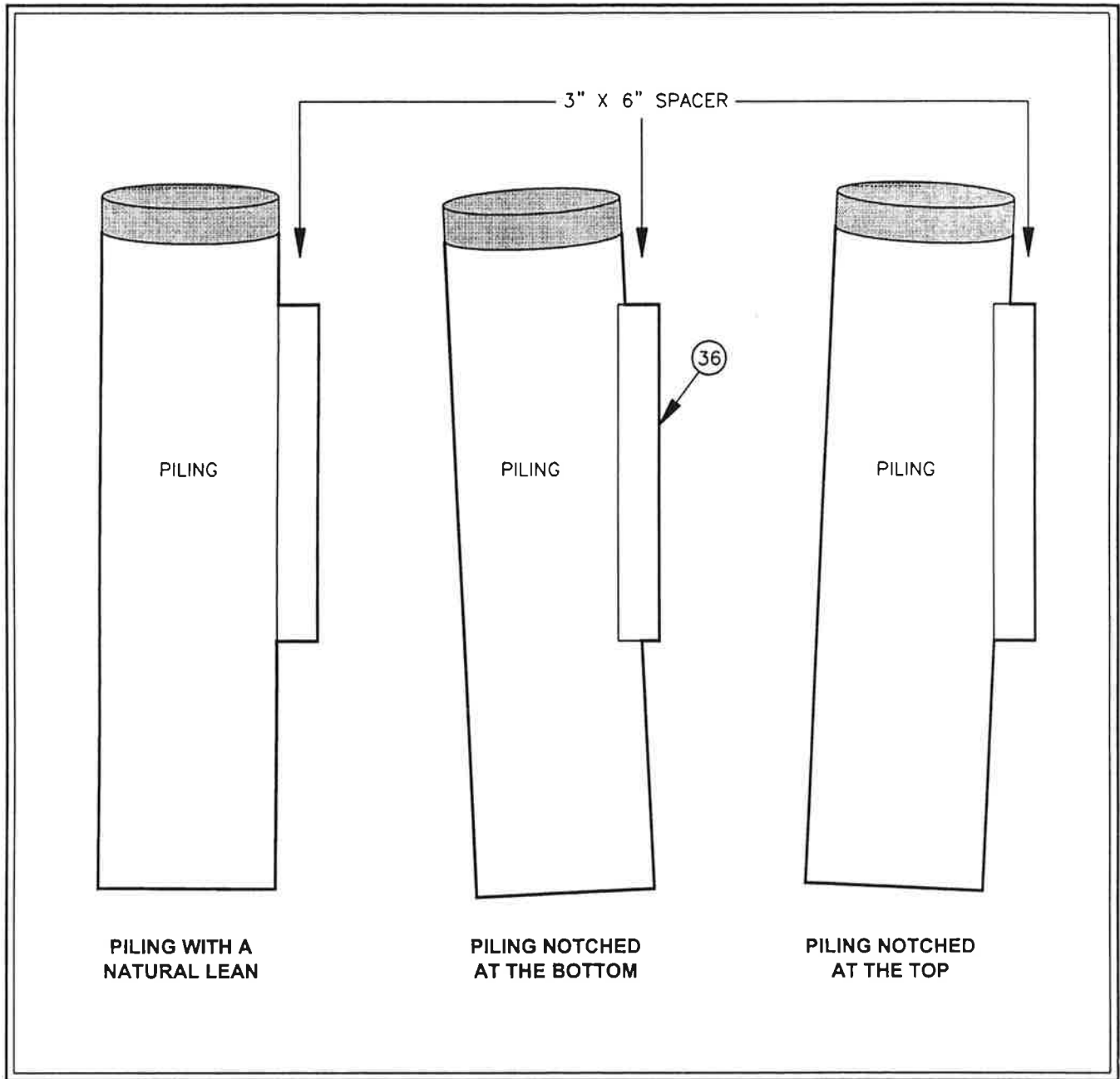
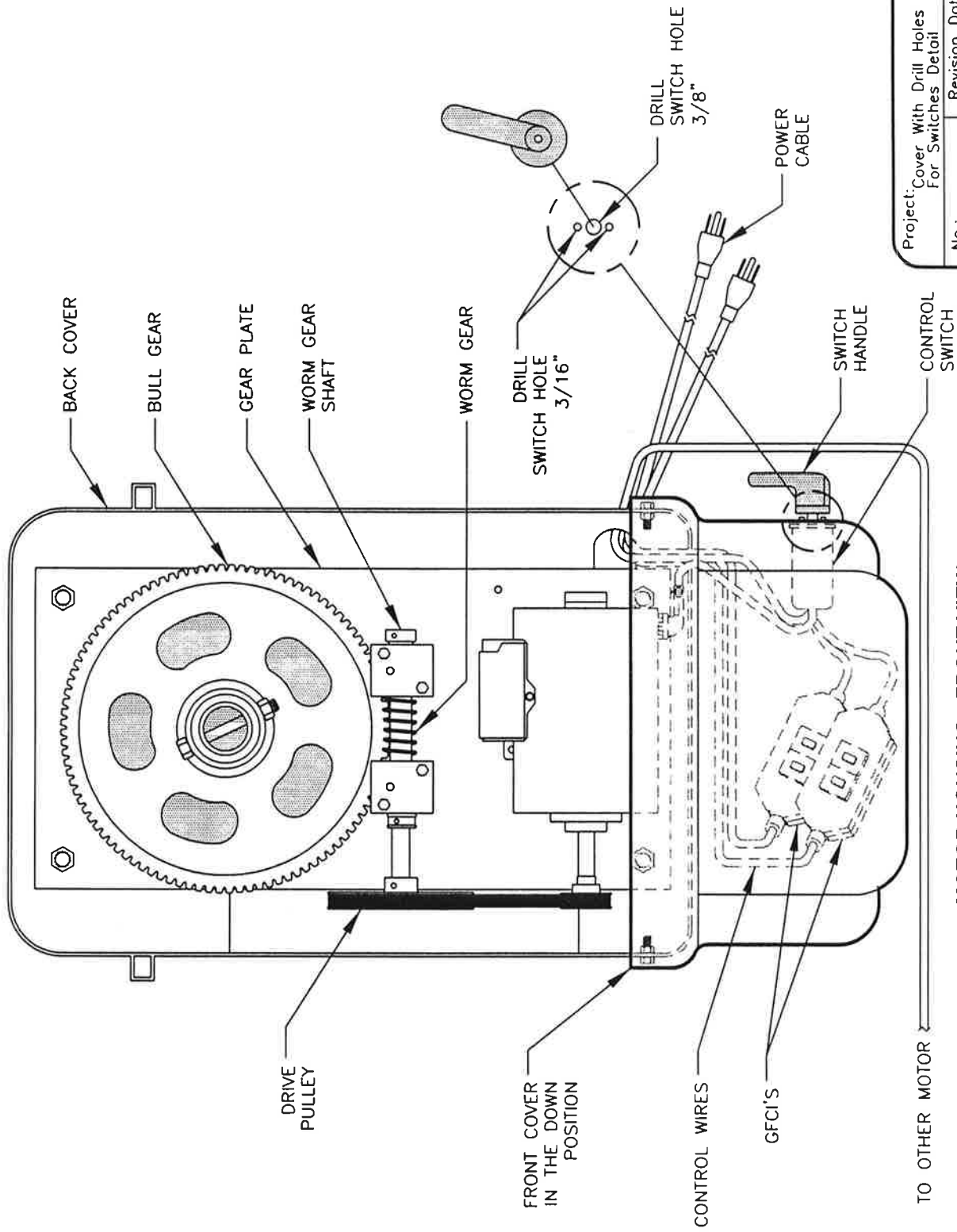


DIAGRAM 3

Project: Piling Lean And Spacer Block Attachment		
No.: 004C	Revision Date:	
Scale: None	Date: 03-08-01	Sheet: 3 of 3

GENERAL NOTES:

1. THE CONTROL SWITCH SHOULD ALWAYS BE MOUNTED AT THE AFT END OF THE LIFT.
2. USE CABLE TIES (PART NUMBER 64) TO SECURE THE CONTROL WIRES INSIDE THE COVER.



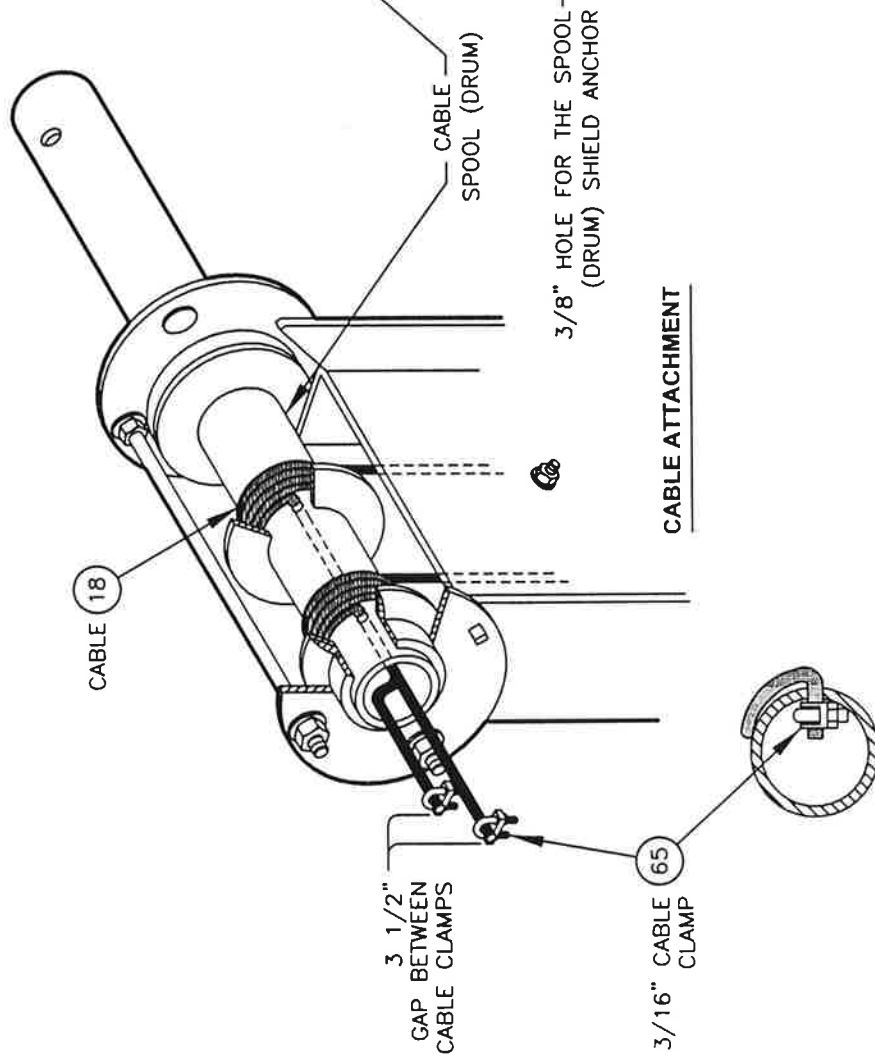
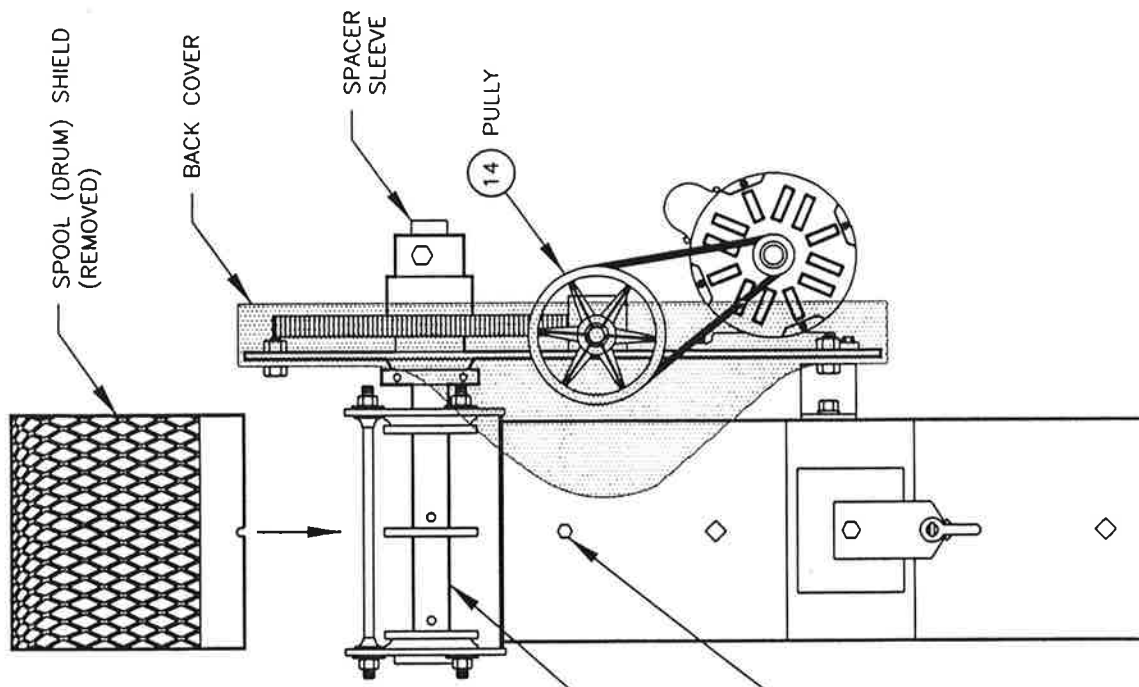
Project: Cover With Drill Holes For Switches Detail	
No.: 007	Revision Date:
Scale: None	Date: 03-08-01
	Sheet: 1 of 1

MOTOR HOUSING - FRONT VIEW  
(COVER DOWN)

TO OTHER MOTOR

GENERAL NOTES:

1. FOR LIST OF MATERIALS RELATED TO PART NUMBERS, SEE PARTS LIST.



**SECTION VIEW**

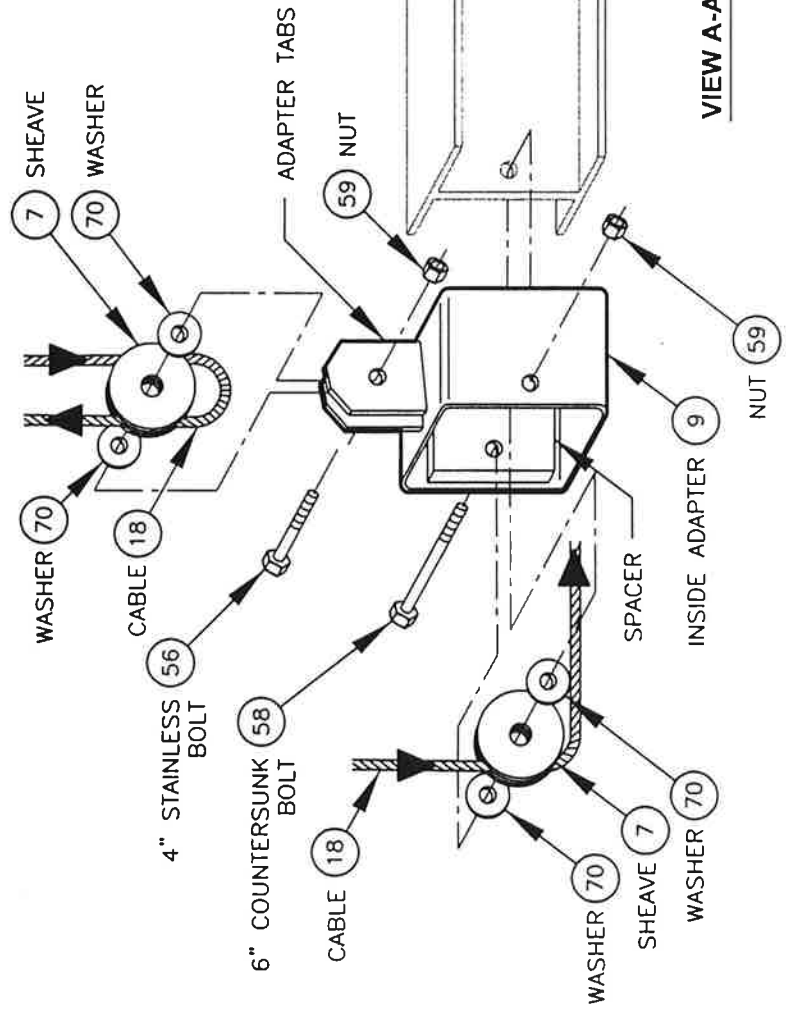
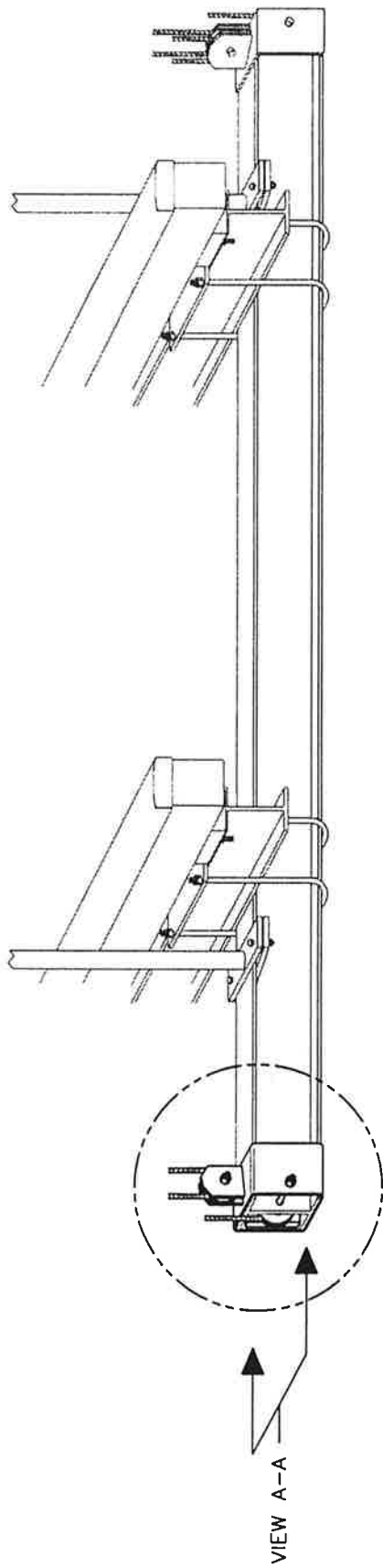
CABLE CLAMP IS PULLED TIGHT INTO DRIVE PIPE

Project: Cable Connections Assembly Detail and Cable Attachment			
No.: 008	Date: 03-08-01	Revision Date:	Sheet: 1 of 1
Scale: None			



GENERAL NOTES:

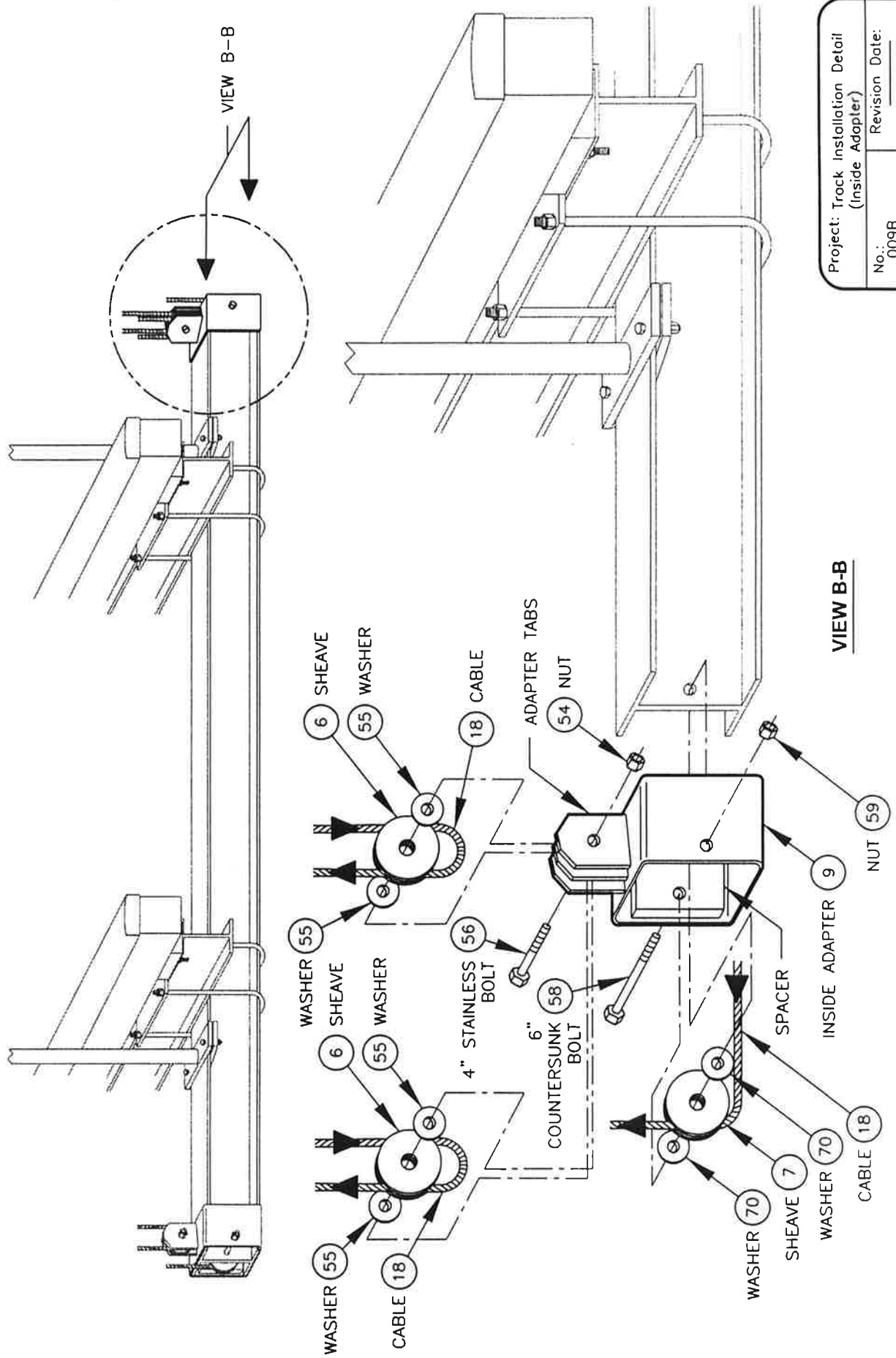
1. FOR LIST OF MATERIALS RELATED TO PART NUMBERS, SEE PARTS LIST.



Project: Track Installation Detail (Outside Adapter)			
No.:	009A	Revision Date:	
Scale:	None	Date:	03-09-01
		Sheet:	1 of 2

GENERAL NOTES:

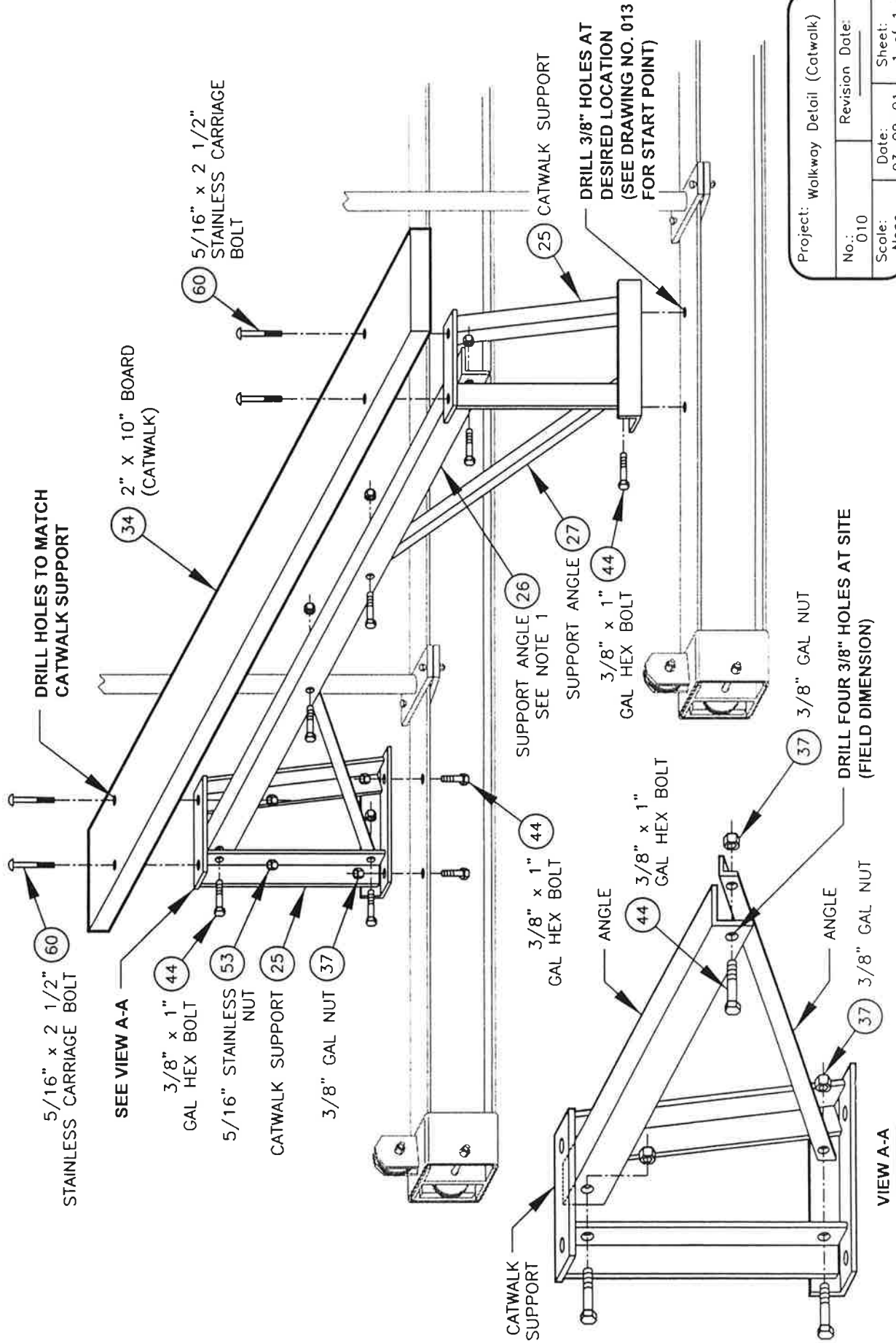
1. FOR LIST OF MATERIALS RELATED TO PART NUMBERS, SEE PARTS LIST.



Project: Track Installation Detail (Inside Adapter)			
No.:	Date:	Revision:	Date:
009B	02-09-01		
Scale:	None	Sheet:	2 of 2

GENERAL NOTES:

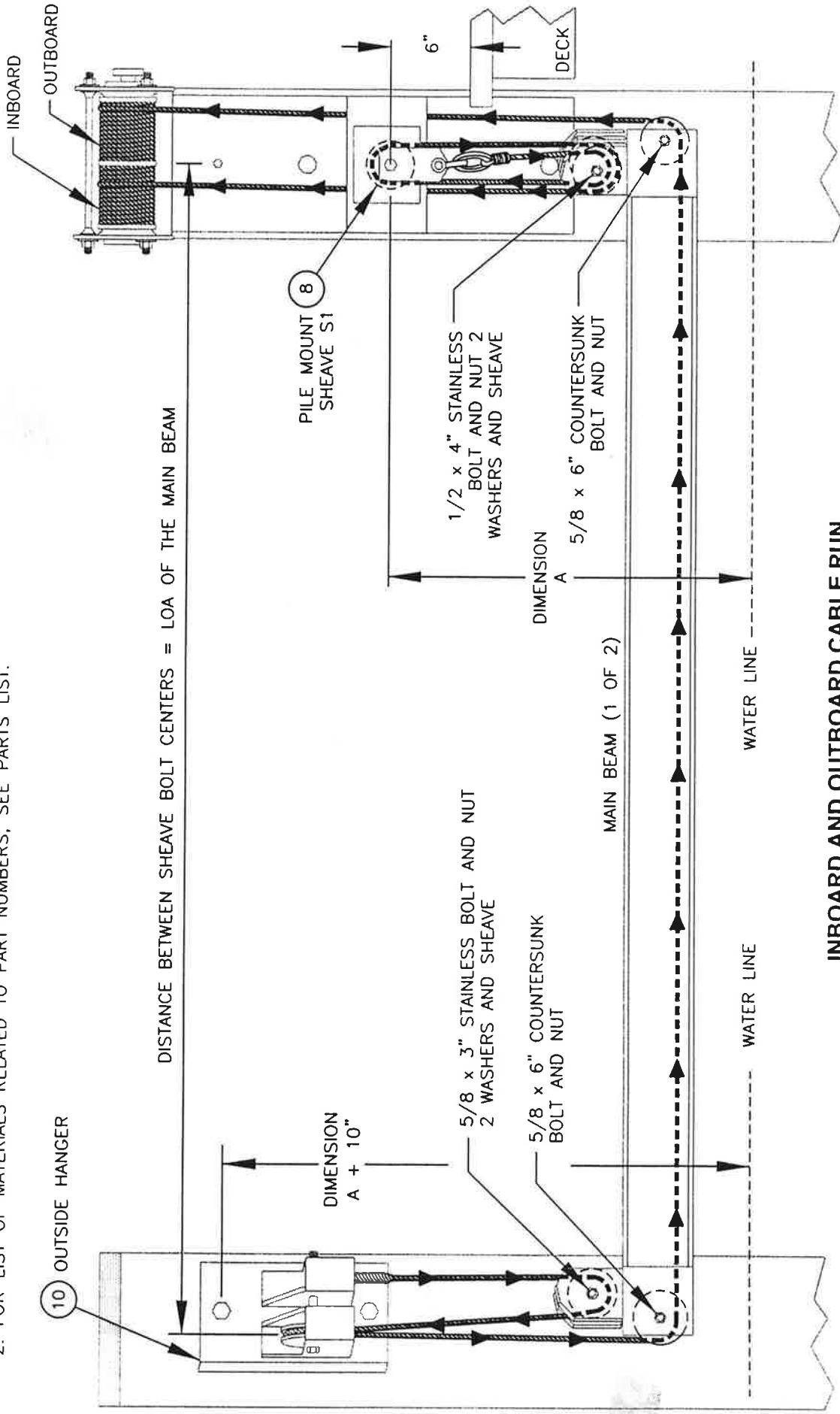
1. A 2 1/2" x 2 1/2" SUPPORT ANGLE, CUT TO LENGTH IS SUPPLIED WITH THE "HD MODEL" TO SERVE AS A SUPPORT FOR THE CATWALK. THE BRACES (PART NUMBER 27) SHOULD BE DRILLED AND BOLTED TO BOTH THE BOW AND STERN CATWALK SUPPORT ANGLE.
2. FOR LIST OF MATERIALS RELATED TO PART NUMBERS, SEE PARTS LIST.



Project: Walkway Detail (Catwalk)	
No: 010	Revision Date:
Scale: None	Date: 03-09-01
Sheet: 1	of 1

**GENERAL NOTES:**

1. ENOUGH CABLE IS SUPPLIED WITH THE LIFT TO LOWER THE LIFT 9' BELOW SHEAVE S1. IF A GREATER AMOUNT OF DROP IS REQUIRED, CALL YOUR LIFT SUPPLIER TO ACQUIRE LONGER CABLES.
2. FOR LIST OF MATERIALS RELATED TO PART NUMBERS, SEE PARTS LIST.

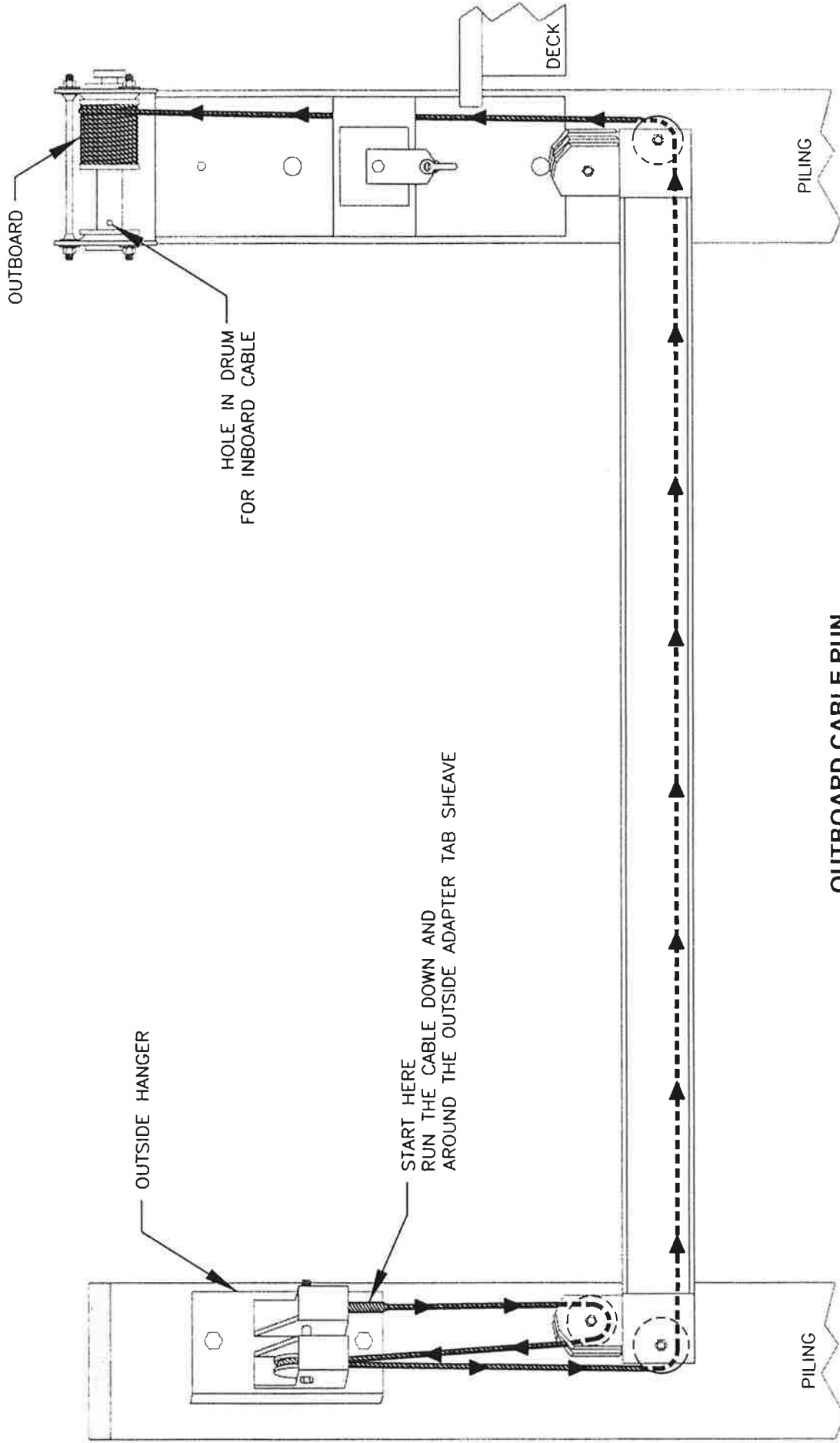


**INBOARD AND OUTBOARD CABLE RUN**

Project: "15,000 HD" Model Cable Detail	
No.: 011A	Revision Date:
Scale: None	Date: 03-08-01
	Sheet: 1 of 3

GENERAL NOTES:

1. ACTIVATE THE SWITCHES AND ROTATE BOTH DRUMS UNTIL THE HOLES IN THE DRUM FACE AWAY FROM THE PILING.

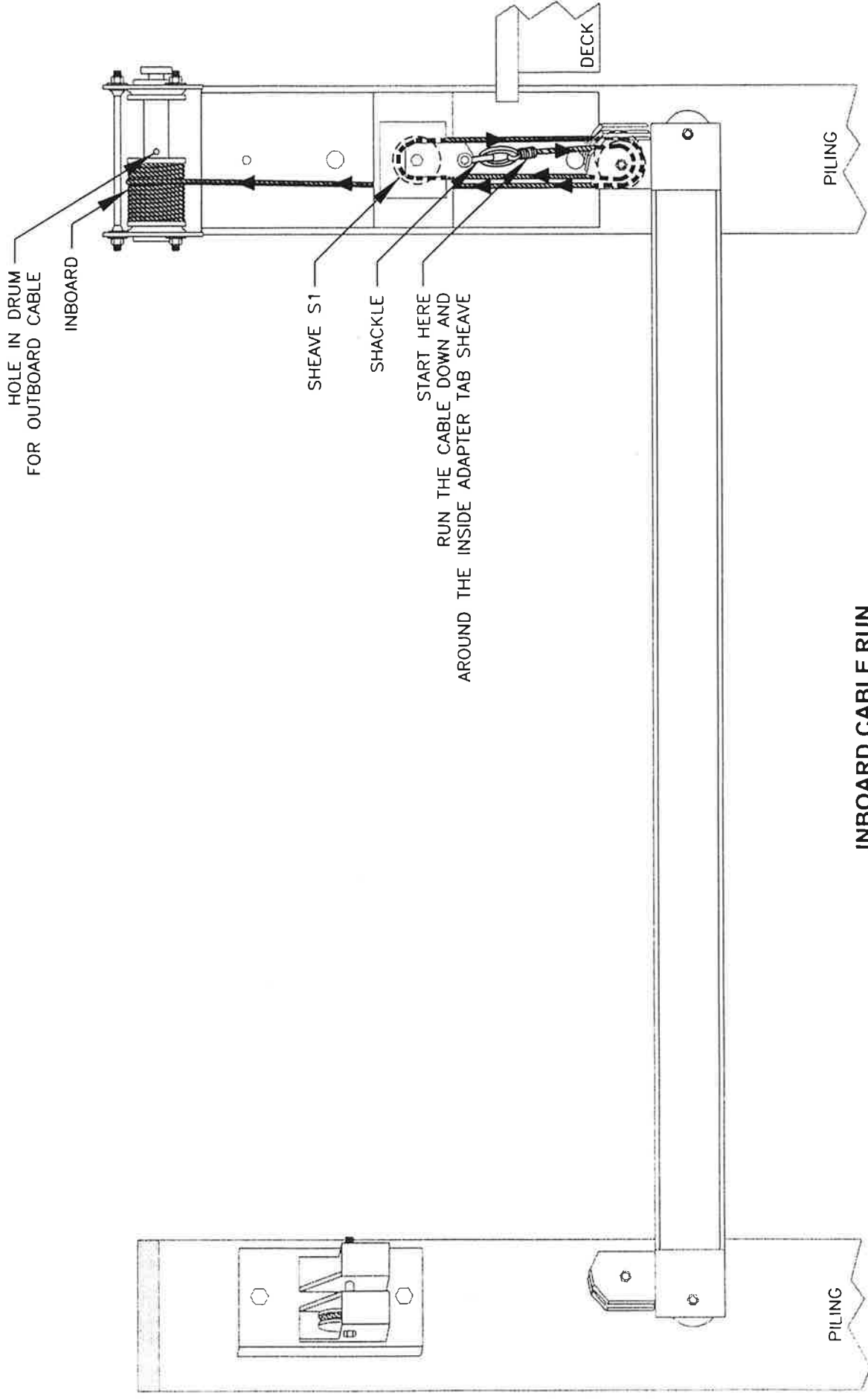


**OUTBOARD CABLE RUN**

(LONG CABLE)

Project: "15,000 HD" Model Cable Detail	
No.: 011B	Revision Date:
Scale: None	Date: 03-08-01
	Sheet: 2 of 3

GENERAL NOTES:  
 1. MAKE SURE THE HOLES IN THE DRUM FACE AWAY FROM THE PILING.

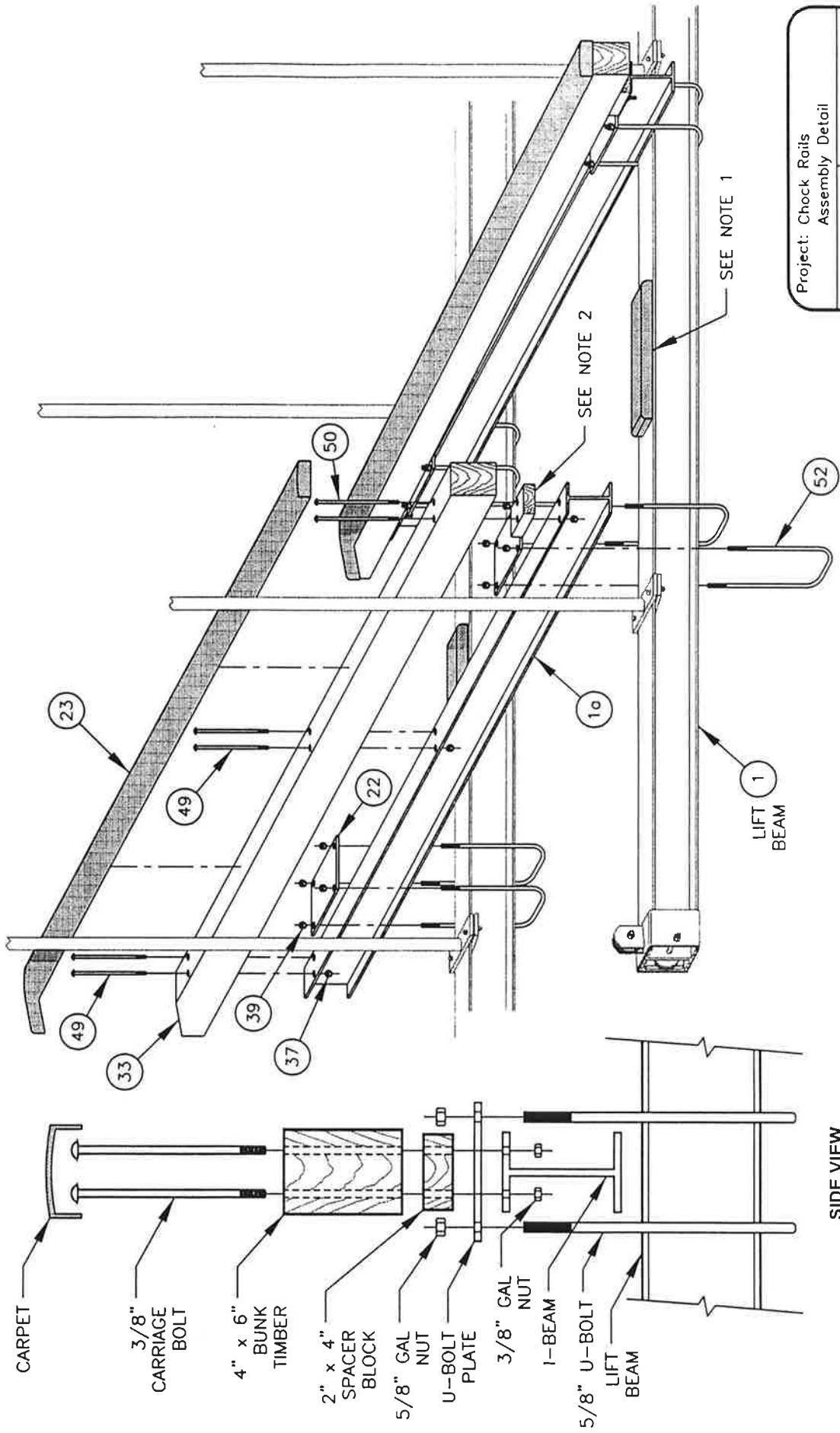


**INBOARD CABLE RUN**  
 (SHORT CABLE)

Project: "15,000 HD" Model Cable Detail			
No.:	011C	Revision Date:	
Scale:	None	Date:	03-08-01
		Sheet:	3 of 3

GENERAL NOTES:

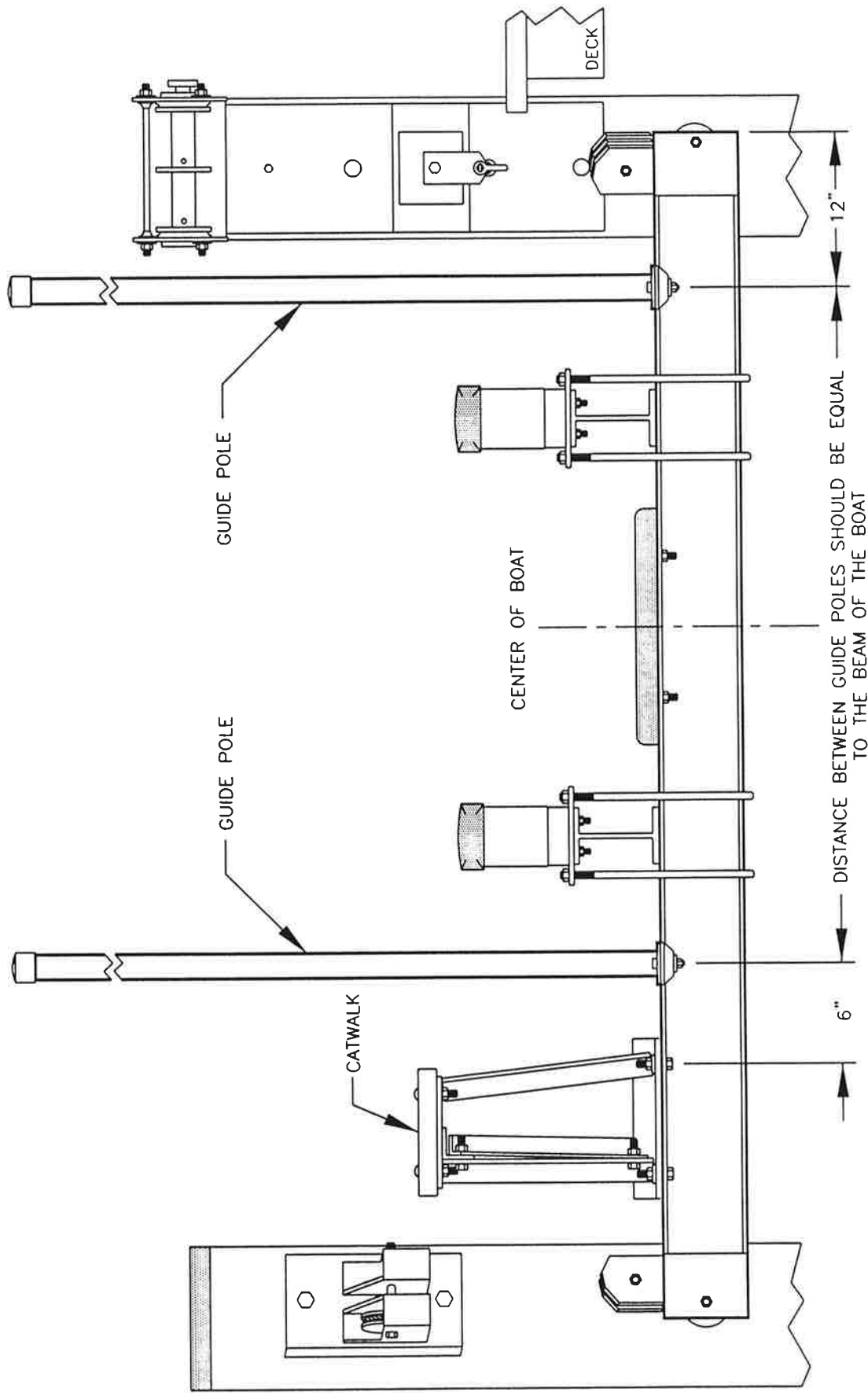
1. TWO PADS MADE FROM TWO 6" x 24" CARPET PIECES ATTACHED TO TWO 2" x 4" x 22" WOOD PIECES (PART NUMBER 35) (BOW AND STERN PADS), HELD DOWN WITH TWO 5/16" x 2 1/2" STAINLESS CARRIAGE BOLTS PER PAD (OPTIONAL).
2. A SHORT 2" x 4" WOOD PIECE SHOULD BE USED TO SPACE UP THE FRONT OF THE BUNK IN ORDER TO CATCH THE STRAKE WHEN IT BEGINS TO FLARE UP AT THE BOW.
3. FOR LIST OF MATERIALS RELATED TO PART NUMBERS, SEE PARTS LIST.



SIDE VIEW

Project: Chock Rails Assembly Detail	
No.: 012	Revision Date:
Scale: None	Date: 03-09-01
Sheet: 1	of 1

GENERAL NOTES:  
1. DISTANCE BETWEEN CENTER OF GUIDE POLES IS DETERMINED BY WIDTH OF BOAT.

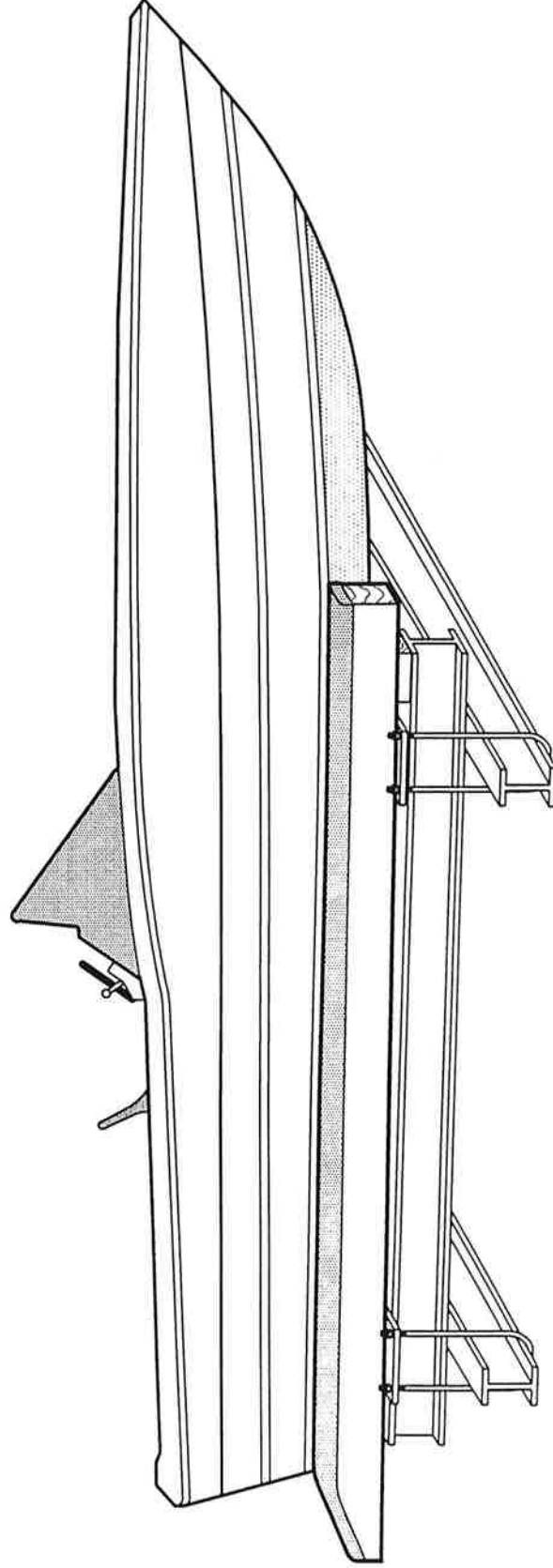


Project: Guide Pole And Catwalk Placement		Revision Date:	
No: 013		Date:	Sheet: 1 of 1
Scale: None		03-08-01	



GENERAL NOTES:

1. FOR OPTIMUM PERFORMANCE, EQUAL WEIGHT DISTRIBUTION IS REQUIRED OVER BOTH CRADLE ARMS.
2. TO OBTAIN EQUAL WEIGHT DISTRIBUTION:
  - A. USE BALANCE POINT OF BOAT.
  - B. DO NOT USE CENTER OF BOAT LENGTH.
3. POSITION THE BOAT IN THE LIFT AS CLOSE TO THE DOCK AS POSSIBLE.

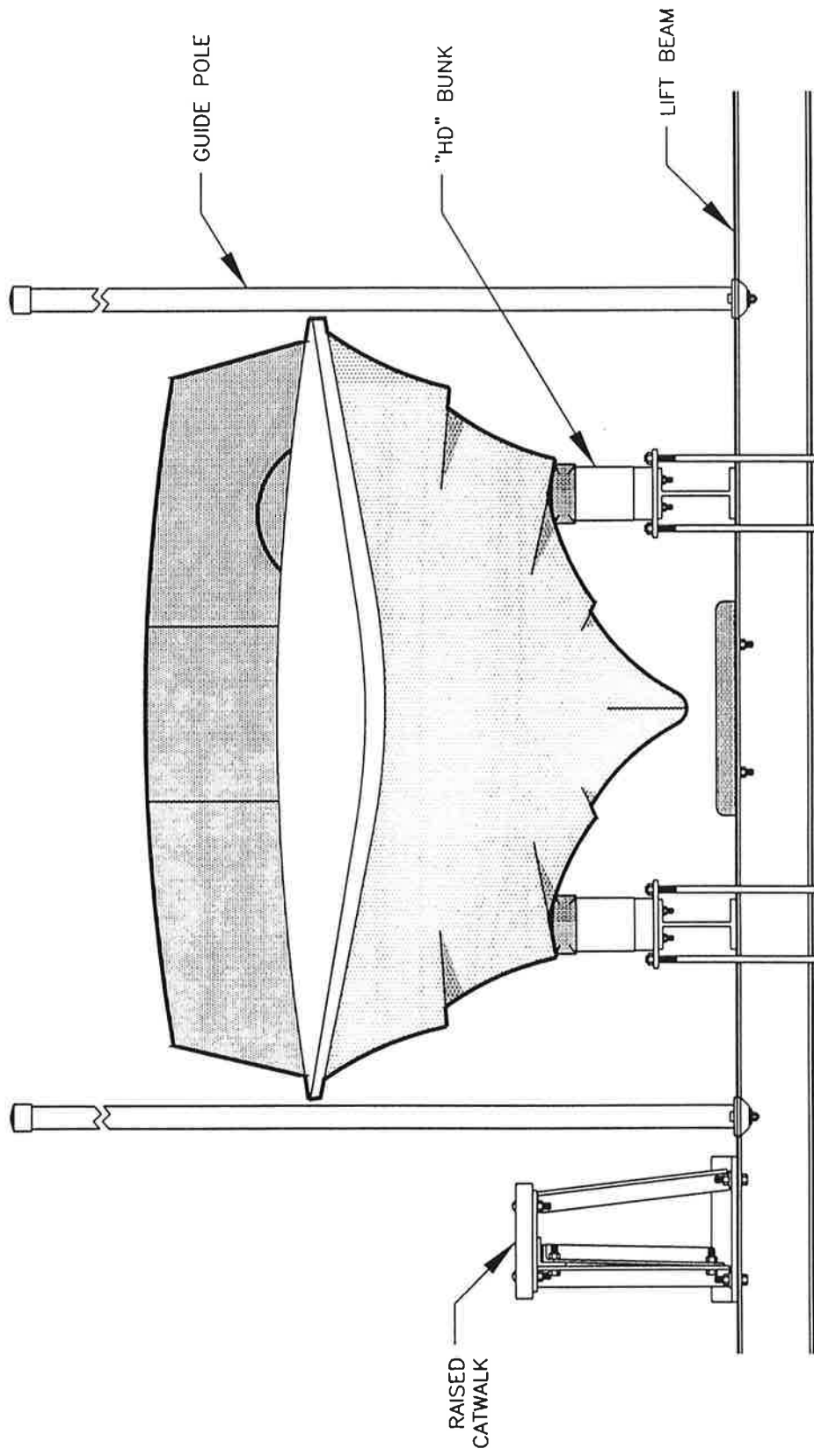


SIDE VIEW OF BOAT

Project: Instructions For	
Weight Distribution	
No.: 014	Revision Date:
Scale: None	Date: 02-27-01
	Sheet: 1 of 1

GENERAL NOTES:

1. DISTANCE BETWEEN CENTER OF GUIDE POLES IS DETERMINED BY WIDTH OF BOAT.



FRONT VIEW OF BOAT

Project: Proper "15,000 HD" Model Bunk Fit	
No.: 015	Revision Date:
Scale: None	Date: 03-08-01
	Sheet: 1 of 1