

LUNMAR I-BEAM MOUNT LIFT INSTALLATION GUIDE

READ ALL INSTRUCTIONS BEFORE STARTING!!!

The Lunmar I-beam mount boat lifts are designed to clamp to the bottom flange of an I-beam that runs perpendicular to the boat over the lift points. Most boats require the rear beam to be located 1 to 3 feet from the transom and the other beam to be located 9' to 13' ahead of the rear beam. The Lunmar I-beam mount lift uses two motors which each rotate an independent drive pipe that runs in sealed bearings under the overhead I beams. This lift will allow you to lift the boat and also tilt the boat if necessary. The design of this lift allows you to attach all components to the overhead beams without having to drill any holes. The only drilling required is the three holes in each drive pipe. This lift comes complete with all necessary parts except for the 1 ½ galvanized drive pipes and the bunk boards. The motors are pre-wired 125volts and can be changed over to 240 volts. This lift comes with a 5 year warranty on the gearboxes and 2 year warranty on all other components. Follow the steps below for an easy installation.

- 1) Check all parts before the freight company leaves if any box has been damaged.
- 2) Using the 4 carriage bolts, assemble each bearing assembly by sandwiching the sealed bearing between the bearing brackets and bearing flanges. Using the 5/8" bolt attach the bearing clamps to the bearing assembly as shown in diagram.
- 3) Slide 4 bearing assemblies on each drive pipe, hoist into place, and attach to bottom of flange as shown.
- 4) Tighten all bolts and set screws on assemblies.
- 5) Attach gearbox mount to beam as shown.
- 6) Mount motor to gear plate and tighten belt as tight as possible.
- 7) Tighten and align all pulleys on gear plate
- 8) slide bushing on end of pipe for the gear box
- 9) Install gear plate to gear plate mount using the ½ x 1 ½ bolts provided
- 10) Drill ½ hole through drive pipe and mount gear box with bolt provided
- 11) Drill 3/8" hole for the cable in locations shown on the drawing
- 12) Run the cable through one side of pipe, push cable out the end of pipe, attach cable clamp and pull cable back into pipe. Repeat this step for each cable
- 13) attach dead man plates as shown in diagram
- 14) Run the cable through the 560 pulley and attach to dead man as shown.
- 15) Remove bolt from pulley and attach cable guide posts
- 16) Attach other end of cable guide post to cradle beam using shackle that is provided
- 17) Repeat above steps until both cradle beams are hanging and level.
- 18) Clamp chock brackets to cradle beam as shown in diagram
- 19) Most boat require the bunk boards to be about 55" apart and angled inward approximately 10 to 15 degrees.
- 20) Attach bunks boards (Not included----Usually a doubled 2x12x14 with carpet on edge) as shown.
- 21) Grease gearbox at the three grease zerts at installation and every three months. Belt, set screws and all bolts should be checked every three months. The belt will need retightening after a couple of days of operation

LUNMAR I-BEAM MOUNT KITS PARTS LIST

4500# Capacity

Sling Kit Parts List:

- | | |
|--|--|
| (2) AMS 3000 Gearboxes | (2) White Covers with Hardware |
| (8) 109I Sealed Bearings | (4) 1/2" x 1 1/2" Bolts/Nuts/Locks/Flats |
| (2) 106I Gearbox Mount | (4) 6# Cable Weights |
| (4) 1/4" x 20' Stainless Cable
with Eye and Shackle | (2) 4"x 14' Weighted Nylon Slings |

Cradle Kit Parts List:

- | | |
|--|--|
| (2) AMS 3000 Gearboxes | (4) 1/2" x 1 1/2" Bolts/Nuts/Locks/Flats |
| (8) 109I Sealed Bearings | (2) 5" x 9' Cradle Beams |
| (2) 106I Gearbox Mount | (8) 834 Chock Brackets |
| (4) 1/4" x 20' Stainless Cable
with Eye and Shackle | (8) 1/2" x 4 1/2" Bolts/Nuts/Locks/Flats |
| (2) White Covers with Hardware | (8) 3/8" x 4" Bolts/Nuts/Locks/Flats |
-
-

7500# Capacity

Sling Kit Parts List:

- | | |
|--|--|
| (2) AMS 3000 Gearboxes | (2) White Covers with Hardware |
| (8) 109I Sealed Bearings | (4) 1/2" x 1 1/2" Bolts/Nuts/Locks/Flats |
| (2) 106I Gearbox Mount | (4) 560 Pulleys |
| (4) 1/4" x 30' Stainless Cable
with Eye and Shackle | (4) 6# Cable Weights |
| | (2) 4" x 14' Weighted Nylon Slings |

Cradle Kit Parts List:

- | | |
|--|--|
| (2) AMS 3000 Gearboxes | (4) 1/2" x 1 1/2" Bolts/Nuts/Locks/Flats |
| (8) 109I Sealed Bearings | (2) 5" x 9' Cradle Beams |
| (2) 106I Gearbox Mount | (8) 834 Chock Brackets |
| (4) 1/4" x 30' Stainless Cable
with Eye and Shackle | (8) 1/2" x 4 1/2" Bolts/Nuts/Locks/Flats |
| (2) White Covers with Hardware | (8) 3/8" x 4" Bolts/Nuts/Locks/Flats |
| (4) 110 Offset Hangers | (4) 560 Pulleys |
| | (4) Cable Guide Posts |
-
-

10,000# Capacity

Sling Kit Parts List:

- | | |
|---|--|
| (2) AMS 4000 Gearboxes | (4) 110 Offset Hangers |
| (8) 109I Sealed Bearings | (4) 1/2" x 1 1/2" Bolts/Nuts/Locks/Flats |
| (2) 106I Gearbox Mount | (4) 560 Pulleys |
| (4) 5/16" x 30' Stainless Cable
with Eye and Shackle | (4) 560 Cable Weights |
| (2) White Covers with Hardware | (2) 6" x 16' Weighted Nylon Slings |

Cradle Kit Parts List:

- | | |
|---|--|
| (2) AMS 4000 Gearboxes | (4) 1/2" x 1 1/2" Bolts/Nuts/Locks/Flats |
| (8) 109I Sealed Bearings | (2) 6" x 10' Cradle Beams |
| (2) 106I Gearbox Mount | (8) 834 Chock Brackets |
| (4) 5/16" x 30' Stainless Cable
with Eye and Shackle | (8) 1/2" x 4 1/2" Bolts/Nuts/Locks/Flats |
| (2) White Covers with Hardware | (8) 3/8" x 4" Bolts/Nuts/Locks/Flats |
| | (4) 560 Pulleys |

(4) 110 Offset Hangers

(4) Cable Guide Posts

12,500# Capacity

Sling Kit Parts List:

(2) AMS 6500 Gearboxes

(8) 109I Sealed Bearings

(2) 106I Gearbox Mount

(4) 5/16" x 30' Stainless Cable
with Eye and Shackle

(2) White Covers with Hardware

(4) 110 Offset Hangers

(4) 1/2" x 1 1/2" Bolts/Nuts/Locks/Flats

(4) 560 Heavy Duty Pulleys

(4) 560 Cable Weights

(4) Cable Winders (1 1/2" Pipe) Left H

(2) 8" x 16' Weighted Nylon Slings

Cradle Kit Parts List:

(2) AMS 6500 Gearboxes

(8) 109I Sealed Bearings

(2) 106I Gearbox Mount

(4) 5/16" x 30' Stainless Cable
with Eye and Shackle

(2) White Covers with Hardware

(4) 110 Offset Hangers

(4) 560 Heavy Duty Pulleys

(4) 1/2" x 1 1/2" Bolts/Nuts/Locks/Flats

(2) 8" x 12' Cradle Beams

(8) 834L Chock Brackets

(8) 1/2" x 5 1/2" Bolts/Nuts/Locks/Flats

(8) 3/8" x 4" Bolts/Nuts/Locks/Flats

(4) Heavy Duty Cable Guide Posts

(4) Cable Winders (1 1/2" Pipe) Left H

15,000# Capacity

Sling Kit Parts List:

(2) AMS 8500 Gearboxes

(8) 109I Sealed Bearings

(2) 106I Gearbox Mount

(4) 5/16" x 30' Stainless Cable
with Eye and Shackle

(2) White Covers with Hardware

(4) 110 Offset Hangers

(4) 1/2" x 1 1/2" Bolts/Nuts/Locks/Flats

(4) 560 Heavy Duty Pulleys

(4) 560 Cable Weights

(4) Cable Winders (1 1/2" Pipe) Left H

(2) 8" x 18' Weighted Nylon Slings

Cradle Kit Parts List:

(2) AMS 8500 Gearboxes

(8) 109I Sealed Bearings

(2) 106I Gearbox Mount

(4) 5/16" x 30' Stainless Cable
with Eye and Shackle

(2) White Covers with Hardware

(4) 110 Offset Hangers

(4) 560 Heavy Duty Pulleys

(4) 1/2" x 1 1/2" Bolts/Nuts/Locks/Flats

(2) 8" x 14' Cradle Beams

(8) 834L Chock Brackets

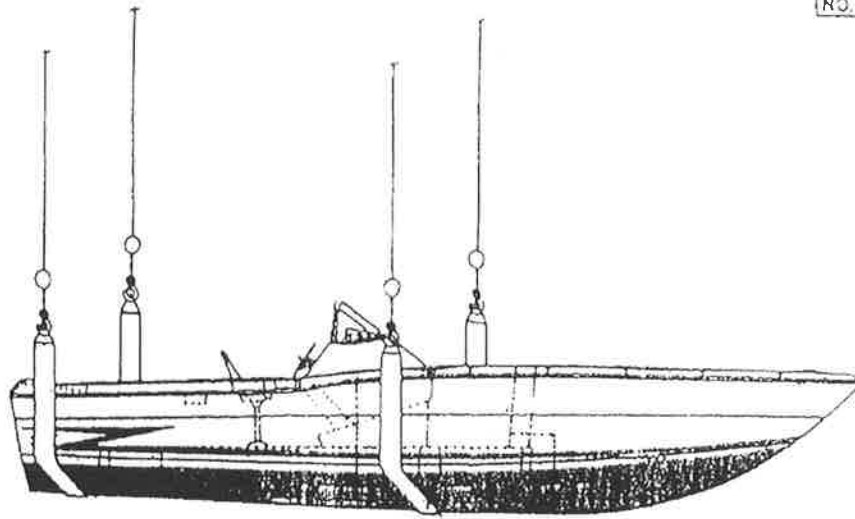
(8) 1/2" x 5 1/2" Bolts/Nuts/Locks/Flats

(8) 3/8" x 4" Bolts/Nuts/Locks/Flats

(4) Heavy Duty Cable Guide Posts

(4) Cable Winders (1 1/2" Pipe) Left H

NO. I-502



FOR OPTIMUM PERFORMANCE:

EQUAL WEIGHT DISTRIBUTION
IS REQUIRED ON ALL 4 CABLES.

4-POINT SLING HOIST

TO OBTAIN EQUAL WEIGHT DISTRIBUTION:

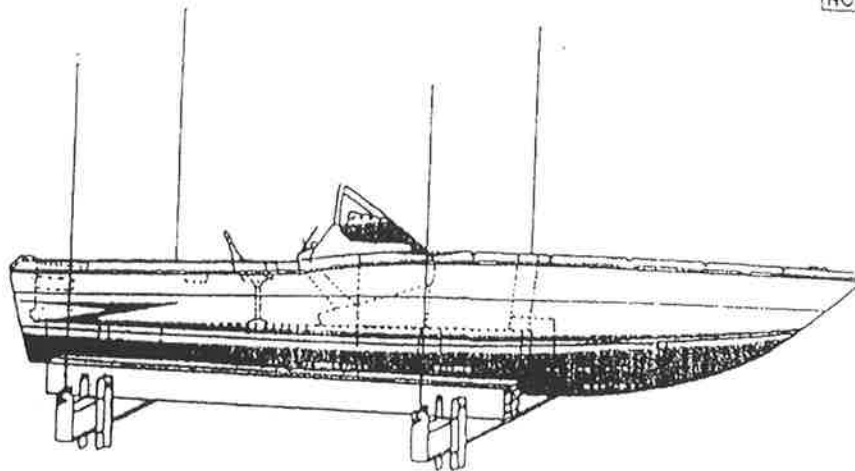
1. USE BALANCE POINT OF BOAT.
2. DO NOT USE CENTER OF BOAT LENGTH.

INSTRUCTIONS FOR
WEIGHT DISTRIBUTION

SCALE NONE

NO. I-502

NO. I-503



FOR OPTIMUM PERFORMANCE:

EQUAL WEIGHT DISTRIBUTION
IS REQUIRED ON ALL 4 CABLES.

4-POINT CRADLE HOIST

TO OBTAIN EQUAL WEIGHT DISTRIBUTION:

1. USE BALANCE POINT OF BOAT.
2. DO NOT USE CENTER OF BOAT LENGTH.

INSTRUCTIONS FOR
WEIGHT DISTRIBUTION

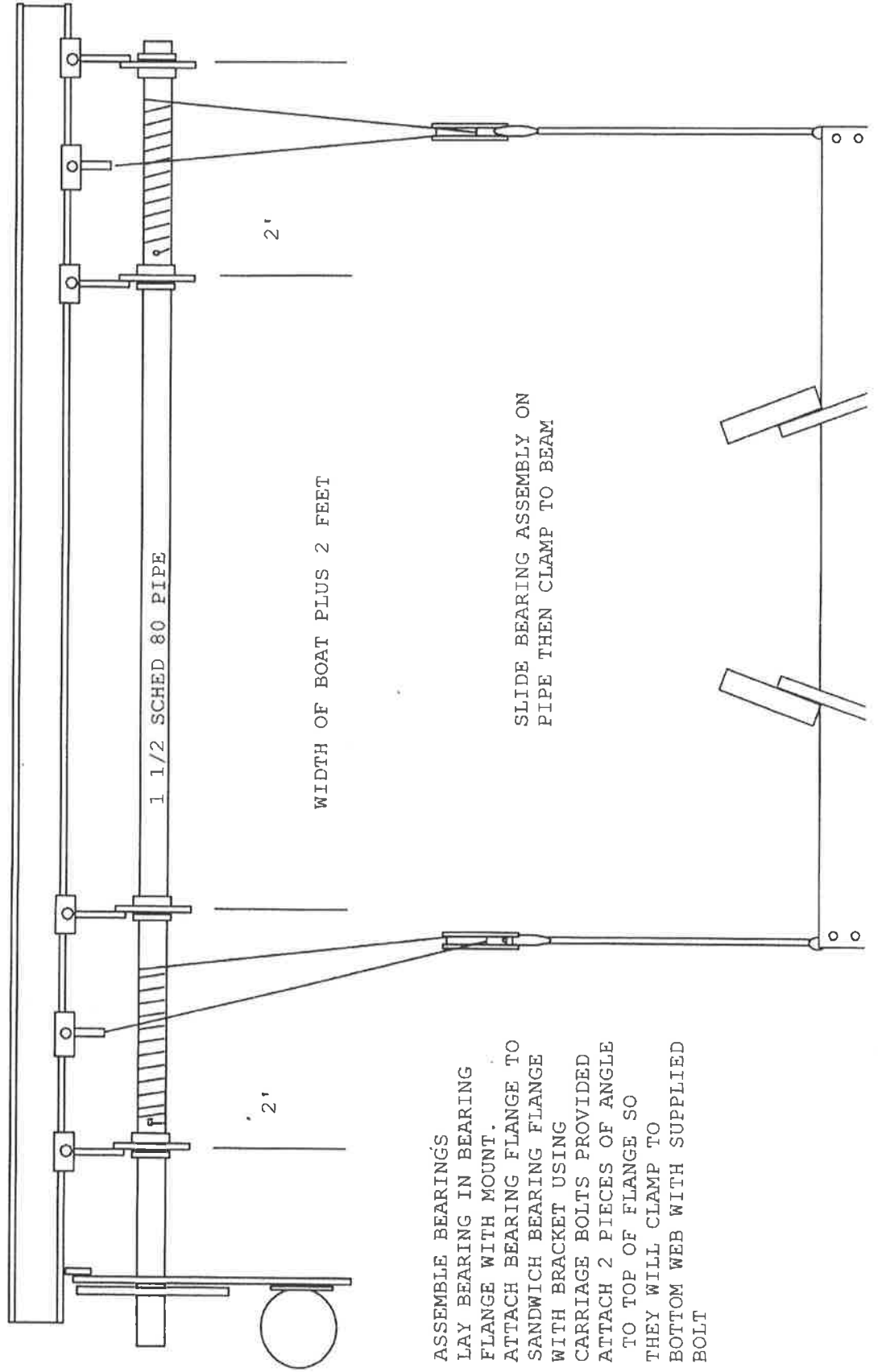
SCALE NONE

NO. I-503

LUNMAR BOAT LIFTS
337-558-7200

LIFTS USING 109 SEALED BEARINGS

ATTACH CABLE BY DRILLING 3/8" HOLE THROUGH ONE SIDE OF PIPE AND PUSH
CABLE OUT END OF PIPE ATTACH 3/16 CLAMP AND PULL BACK INSIDE PIPE

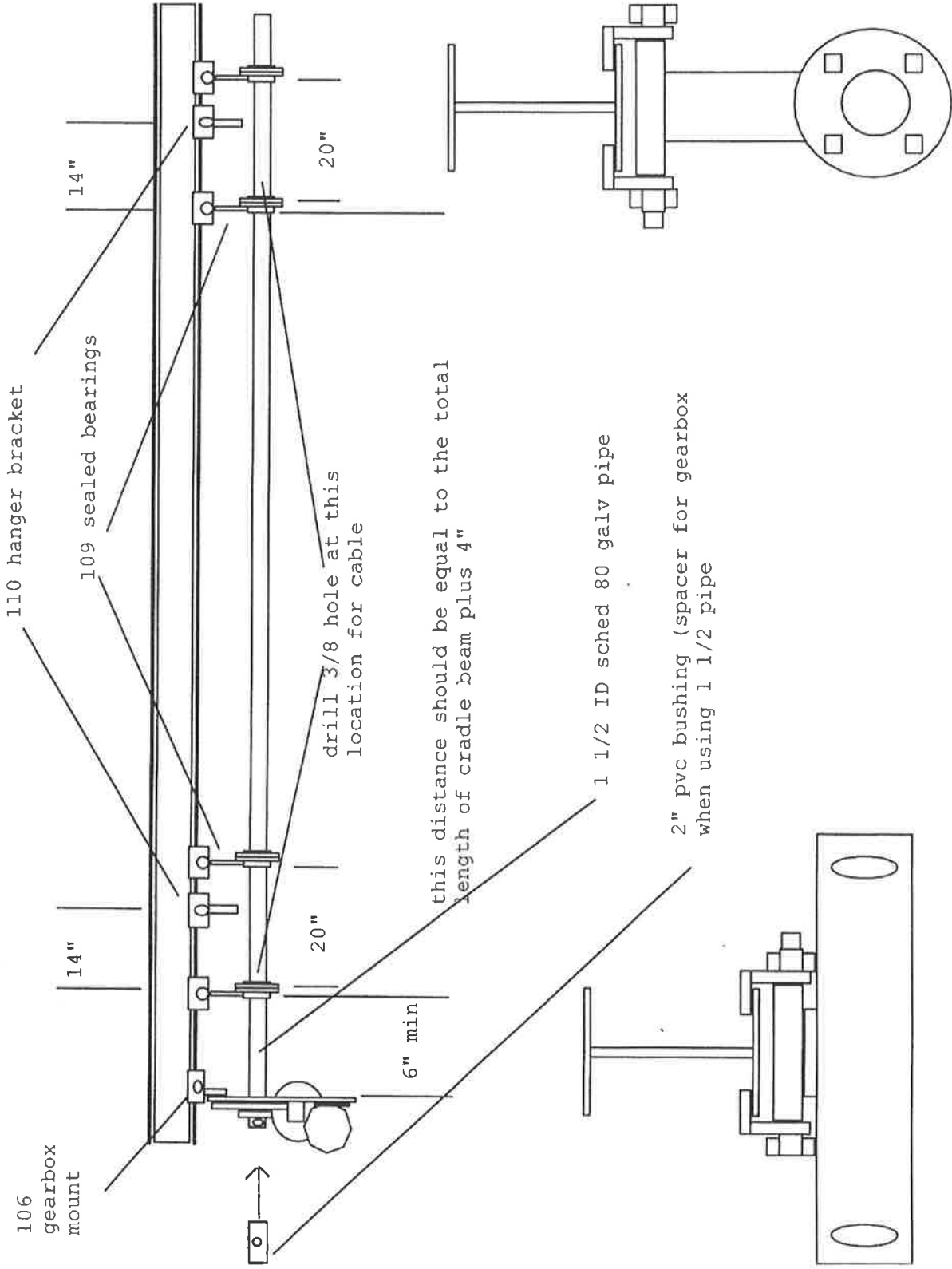


ASSEMBLE BEARINGS
LAY BEARING IN BEARING
FLANGE WITH MOUNT.
ATTACH BEARING FLANGE TO
SANDWICH BEARING FLANGE
WITH BRACKET USING
CARRIAGE BOLTS PROVIDED
ATTACH 2 PIECES OF ANGLE
TO TOP OF FLANGE SO
THEY WILL CLAMP TO
BOTTOM WEB WITH SUPPLIED
BOLT

SLIDE BEARING ASSEMBLY ON
PIPE THEN CLAMP TO BEAM

WIDTH OF BOAT PLUS 2 FEET

Beam layout for Lunmar lifts using 109 sealed bearings



106 GEARBOX MOUNT

109 SEALED BEARING

