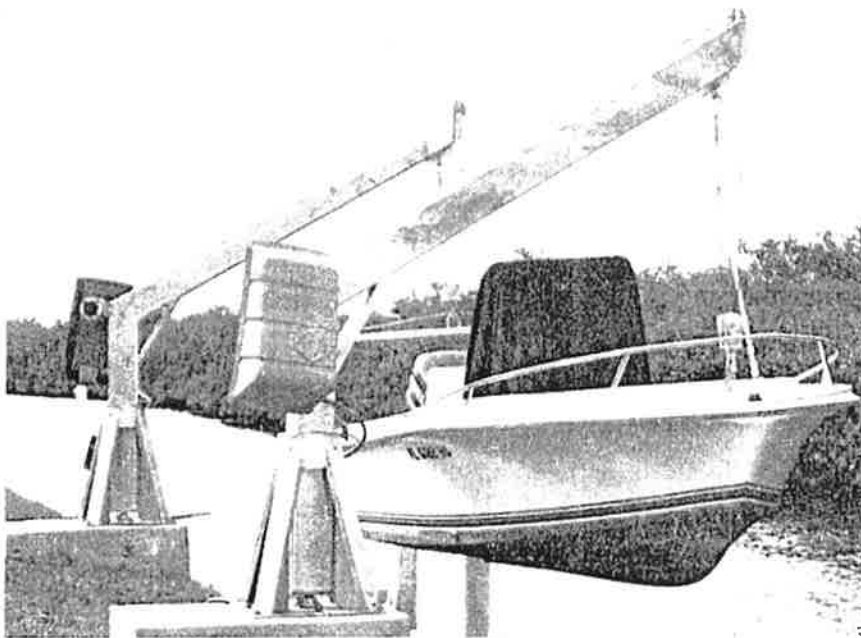


DAVITS

Increase Your Boating Pleasure...
Cut Your Boat Maintenance.



*DAVITS – for vessels
up to 7,800 lbs.*

Mounted on pilings or sea walls, Davits rotate on roller bearings allowing booms to turn easier when bringing craft onto land. Davits are available with hand winches up to 2,000 lbs. Electrically operated for 1,000 lbs. and up. Backed by a full one-year warranty, Ace has a complete line of Verti-Lifts, Ele-Verts, Boat House Hoists, and Lifts for Personal Water Craft and Jet Boats.

AVAILABLE IN SIZES RANGING FROM 500# TO 5,500# CAPACITY, THERE IS AN ACE DAVIT TO FIT YOUR LIFTING NEEDS. ALL ACE DAVITS SWIVEL TO BRING YOUR CRAFT OVER THE SEAWALL OR DOCK.

MANUAL DAVITS RANGE FROM 500# TO 2,000# CAPACITY, AND ARE EQUIPPED WITH FULTON AUTOMATIC BRAKE WINCHES THAT FEATURE SELF-ACTIVATING BRAKE SYSTEMS. POSITIVE HOLDING ACTION OF THE BRAKE SYSTEM WHILE RAISING OR LOWERING PROVIDES THE NEEDED CONTROL FOR SAFETY. MANUAL DAVITS 1,000# AND LARGER CAN BE CONVERTED TO ELECTRIC WITH THE #800 ELECTRIC CONVERSION KIT.

ELECTRIC DAVITS ARE AVAILABLE FROM 1,000# TO 5,500#. THESE DAVITS FEATURE THE ACE #401 ELECTRIC GEAR HOIST, THE TIME PROVEN AND MOST RELIABLE GEAR HOIST AVAILABLE ON THE MARKET TODAY.

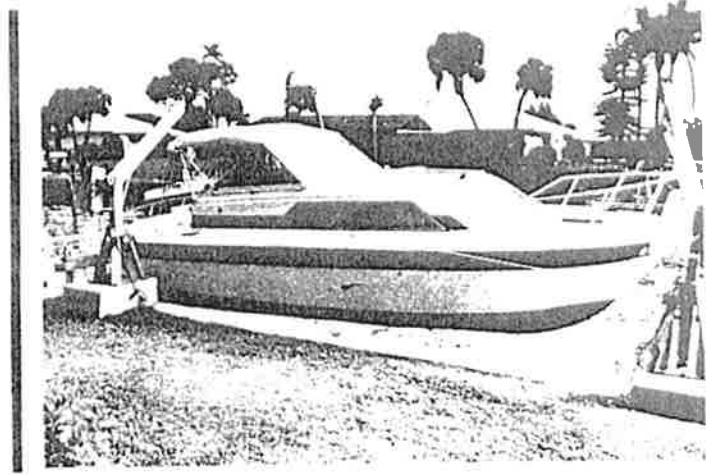
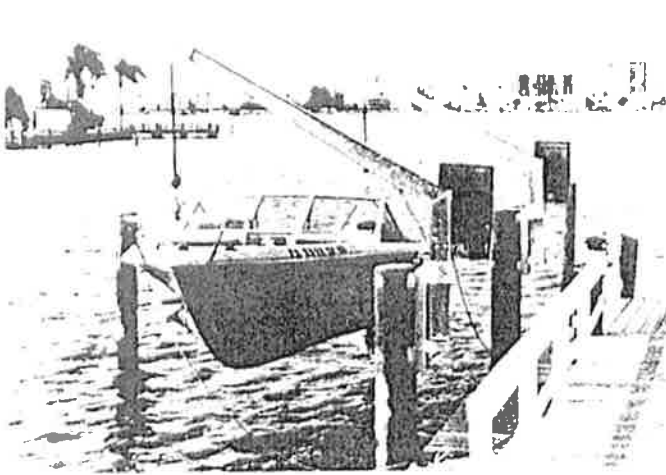
OPTIONAL PILING MOUNTS ARE AVAILABLE FOR DAVITS FROM 500# TO 2,000#. THESE ALLOW YOU TO "THROUGH BOLT" THE DAVIT BASE TO A PILING. YOU MUST BE SURE THE PILING IS ABLE TO HANDLE THIS TYPE OF LOAD AND IS WELL SECURED TO SUFFICIENT STRUCTURE TO PREVENT PILING MOVEMENT AFTER INSTALLATION.

A DAVIT IS A COMPLETE LIFTING DEVICE CONSISTING OF THE BOOM, BASE, WINCH (manual or electric), AND CABLE. ALL BOLTS AND HARDWARE NECESSARY FOR ASSEMBLY ARE INCLUDED WITH THE DAVIT. BOLTS TO BE IMBEDDED IN THE CONCRETE FOUNDATION OR TO ATTACH THE BASE TO A PILING ARE NOT INCLUDED. YOU WILL NEED SOME TYPE OF SPREADER BAR OR CABLE SLING IF YOUR CRAFT HAS TWO LIFTING EYES IN THE STERN. THESE ARE TO BE FIT TO YOUR CRAFT (SEE I.D.505 AND I.D.506) BE SURE YOU HAVE BONIFIDE LIFTING EYES ON YOUR HULL, THE BOAT MANUFACTURER OR DEALER CAN GIVE YOU THIS INFORMATION.

LIFT BRACKETS FOR PERSONAL WATERCRAFT ARE THE PERFECT ADDITION TO YOUR ACE DAVITS. THE JSS2 FOR STAND-UP AND SMALL TWO SEATERS OR THE JSS3 FOR THE LARGER PWC AND THREE-SEATER CRAFT GIVE YOU THE ABILITY TO BRING THE PWC OVER THE DOCK OR SEAWALL FOR EASY ACCESS AND THE OPPORTUNITY TO LAUNCH MULTIPLE WATERCRAFT.

Hand or Electric ...

... ACE Boat Davits are available in a wide range of lift capacities from 500 to 5,500 lbs.!



All ACE Davits are hot-dip galvanized for superior protection against the elements, shipped complete with hand winch or our #401 Power Hoist and the necessary cable and parts necessary for installation. Other features and options include:

- Davits from 2,000 lbs. up feature rugged roller bearings for turning ease when bringing a boat onto land.
- Extended reach booms are an available option on our 3,000, 4,000 and 5,500 lb. capacity davits. Extends the usable reach by 1', but reduces lift capacity by 800 to 1,000 lbs. per boom.
- Piling mount bases are available as an option on davits from 500 to 2,000 lb. capacity.
- Stainless steel cable is also available as an option.

The recommended concrete for davit installations is also determined by the weight of the boat. One cubic yard of concrete = 3,600 to 3,800 lbs.

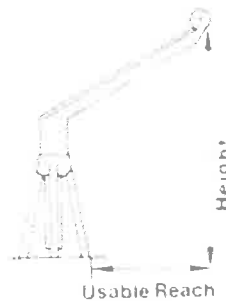
Weight of Boat (lbs)
 500
 500-2,000
 2,000-5,000
 5,500

Amount of Concrete Recommended
 1/2 cu. yd.
 1 cu. yd.
 1 1/2 to 2 cu. yds
 3 cu. yds

Wood templates (#273) are available for use in placement of anchor bolt when pouring concrete.

If no template is used, the bolts are placed in a square 21 3/4" center-to-center at each bolt.

Davits should be placed 2' center-to-center further apart than the overall length of the boat for maximum ease of operation and proper clearance when bringing the boat onto land.



Selection Data

In determining the proper size davits for most boats, a 70% to 30% weight distribution formula (stern-bow) is recommended.

For example, a 4,000 lb. boat:

70% x 4,000 = 2,800 lbs. stern weight

A pair of 3,000 lb. davits would be the selection

Specifications

Davit Size (lbs.)	Standard Height (ft.)	Usable Reach (ft.)	Construction	Standard Cable Length/Dia.	Manual	Power	Base*	
							Dimensions	# Bolts
500	7	3 1/2	Pipe	30' 3/16"	Y	N/A	12" x 12"	4
1,000	7	5	4" I-Beam	30' 3/16"	Y	Y	24" x 24"	4
1,500	7	5	5" I-Beam	30' 3/16"	Y	Y	24" x 24"	4
2,000	8	6	6" I-Beam	35' 1/4"	Y	Y	24" x 24"	4
3,000	8 1/2	6	7" I-Beam	35' 1/4"	Y	Y	24" x 24"	6
4,000	8 1/2	6	8" I-Beam	35' 1/4"	N/A	Y	24" x 24"	6
5,000	8 1/2	6	8" I-Beam	35' 1/4"	N/A	Y	24" x 24"	8
5,500	9	6 1/4	Rect. Tube	35' 9/16"	N/A	Y	24" x 24"	8

*Base Risers and Extenders are available options

#824 Base Riser, 8" x 24" x 24" (increases davit height by 8")

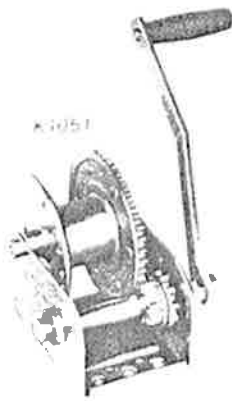
#825 Base Extender, 8" x 24" x 36" (increases davit height by 8" and extends davit 1')

FULTON WORK WINCHES

K-SERIES WORK WINCHES

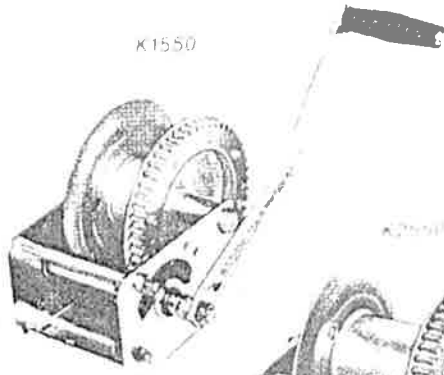
Fulton automatic brake winches—the standard of the industry.

- Fulton K-Series winches feature self-activating automatic brake systems to prevent heavy loads from falling.
- Positive holding action of the brake system while raising and lowering loads provides the needed control for safety.
- "Comfort-grip" handle for a positive hold while cranking.
- Double brake reliability. Double-disc brake system on models K2550 and K1550.
- Load-Lok automatic disc brake system on the K1051 and K650.
- Cable pays out after load has been lowered. Continued cranking on the winch will allow cable remaining on drum to feed out automatically.
- Ideal for boat lifts and davits where cable payout is necessary to free slings from boat in water.
- Meets industry standards, like FIEI specifications (ASAE S361.1T) for portable augers and conveyors.
- Drum hub is 10X recommended cable size to prevent cable damage.
- Easy to crank — low handle efforts at rated loads.
- Zinc plated for superior corrosion protection.
- Bolt on handle.
- Installation and operating instructions included
- Made in U.S.A.

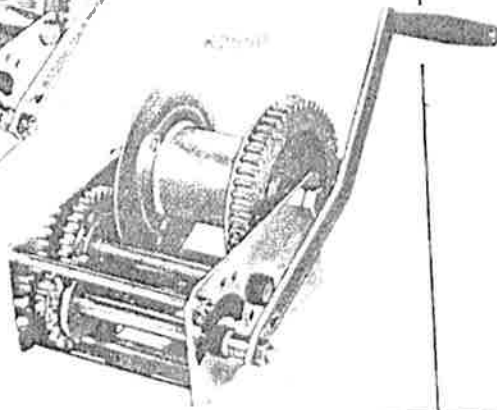


K1051

NEW
COMFORT-GRIP
HANDLE



K1550



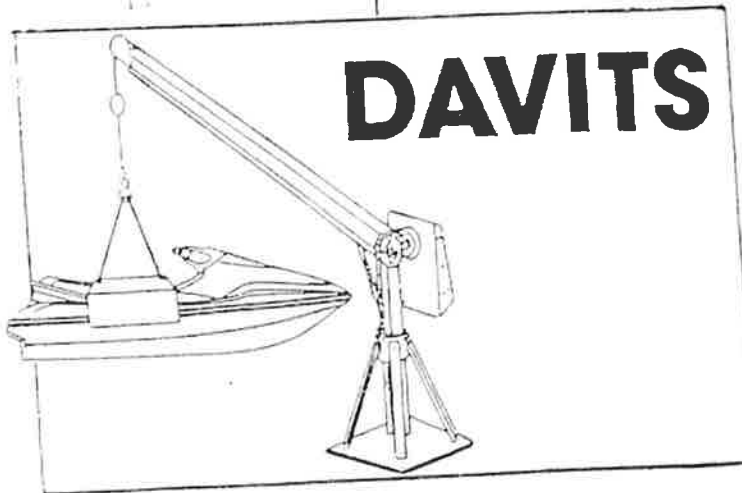
K2550

K1550

- 1500 lbs. maximum rated line pull
- 5:1:1 gear ratio
- Double-Disc automatic brake system

K2550

- 2500 lbs. maximum rated line pull
- 15.8:1 gear ratio
- Double-Disc automatic brake system



MANUAL or ELECTRIC

...ACE BOAT DAVITS are available in a wide range of lift capacities from 500 to 5,500 lbs!

ACE 401 Power Hoist

Now featuring a Ground Fault Circuit Interrupter for powering boat lift systems with maximum safety!

**** G.F.C.I. ON THIS UNIT IS FOR 110 VOLT ONLY ****

NOTE: 220 VOLT G.F.C.I. IS AVAILABLE AS SPECIAL ORDER FROM ACE LAB INC., D.B.A. ACE BOAT HOIST.

FITTINGS & TEETH OF MAIN GEAR MUST BE LUBRICATED AT ALL TIMES

"FOR BEST RESULTS"
LUBRICATE
WHEN NOT UNDER LOAD!

"NOTICE"

DO NOT USE HOIST AS A LOAD BEARING UNIT
(for torque purpose uses only)

****DESIGNED FOR BOAT LIFTING SYSTEMS ONLY****

Made in America of 100% American parts in Pataskala, Ohio, the new Ace 401 Power Hoist is better than ever, the addition of a Ground Fault Circuit Interrupter (GFCI) to the 401 Power Hoist will help prevent shocks from faults in the wiring

This safety feature is incorporated in all Ace electrically operated boat lift systems. The Power Hoist with GFCI will typically trip within a second when it detects a 5 milliamp variation in the current.

Designed for use in Ace Davits, Verti-Lifts, Ele-Verts Boat House installations, Personal Watercraft and Jetboat Lifts, it can be readily adapted to most other existing lift systems. The quality and reliability of the Ace 401 Power Hoist is indicative of Ace's leadership in the boat hoist industry since 1959.

SPECIFICATIONS:

Motor: 3/4 hp, 1725 rpm, capacitor start, 115V @ 11.2 amps/230V @ 5.6 amps, J-56 frame

Switch: UL approved, full contact breaking, reversing type, plastic UV protected mounting box.

Wire: Factory pre-wired for 115V, standard with 16' of 16/5 SJTWA weatherproof control cable from the switch to the motor and 9' long GFCI-protected 3-prong AC cord.

Capacity: 2,800# straight lift (3.5 rpm @ 24" per minute travel), 5,600# compound lift (3.5 rpm @ 12" per minute travel).

Base Plate: 24" x 12" x 1/4" cold formed steel

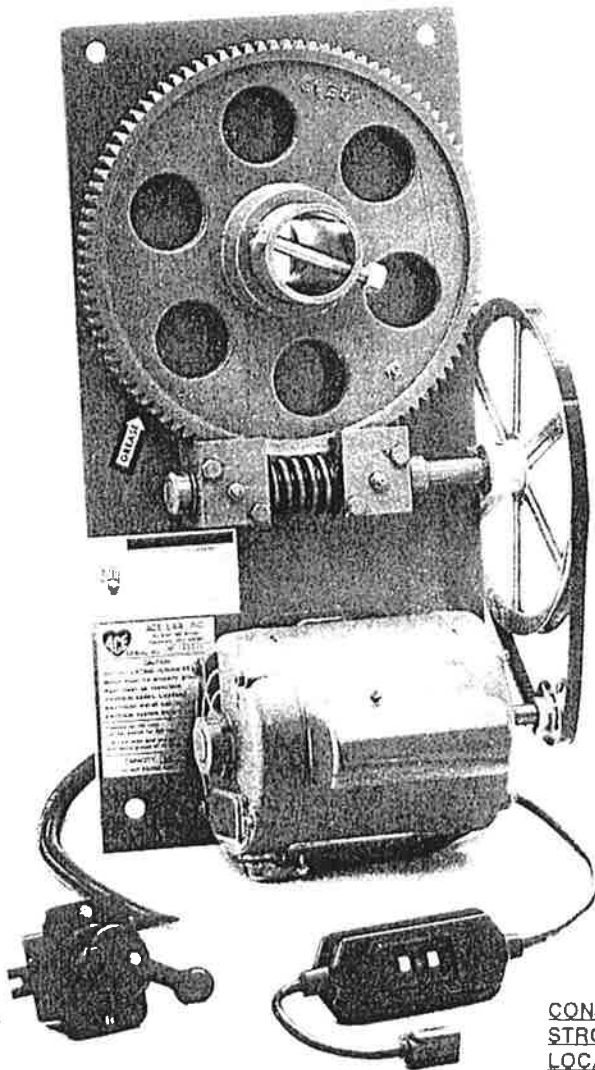
Options:
#101 Hoist Cover (protects motor side of gear plate), includes pulley guard and mounting hardware

T E F.C. Motors
(Totally Enclosed Fan Cooled)

Optional lengths of 16/5 control wire available on request

Momentary Switches

Optional 401 w/Stainless Steel Plate



CONSIDERATIONS FOR ELECTRICAL REQUIREMENTS MUST BE PROVIDED. WE STRONGLY RECOMMEND INSTALLATION BY QUALIFIED PROFESSIONALS TO MEET LOCAL AND NATIONAL CODES

**** IMPORTANT MAINTENANCE INFORMATION ****

CAUTION: ACE BOAT HOIST LIFTS ARE NOT DESIGNED TO BE USED FOR HOISTING OR TRANSFER OF PEOPLE, OR FOR HOISTING LOADS OVER PEOPLE OCCUPIED AREAS. DO NOT ALLOW ANY PERSON IN OR UNDER WHILE SUSPENDED ON LIFT.

- DUE TO THE CONDITIONS IN WHICH THE LIFT MUST OPERATE, REGULAR MAINTENANCE AND LUBRICATION IS NECESSARY.
- THE #401 ELECTRIC POWER HOIST IS EQUIPPED WITH 3 GREASE FITTINGS. IT IS NECESSARY THAT ALL GREASE FITTINGS, AS WELL AS GEAR TEETH, ARE THOROUGHLY PACKED WITH GREASE TO INSURE THE MECHANISMS LONGEVITY.
- LIFTS ARE SUPPLIED WITH GALVANIZED OR STAINLESS STEEL CABLES. IT IS IMPORTANT THAT THEY HAVE PERIODIC LUBRICATION TO REDUCE CHAFING OF STRANDS AND EXTEND CABLE LIFE. TIMELY PERIODIC INSPECTIONS OF CABLES FOR STRAND BREAKAGE ARE NECESSARY. GALVANIZED OR STAINLESS STEEL CABLES DO NOT HAVE AN INDEFINITE LIFE AND MUST BE REPLACED PERIODICALLY.
- CHECK ALL CABLES FOR RUST AND BROKEN STRANDS. IF A EXTREME NUMBER OF STRANDS ARE BROKEN, OR IF THE CABLE IS RUSTY, IT MUST BE REPLACED.
- IF CABLE CLAMPS ARE USED, CHECK AND TIGHTEN THEM AT EACH INSPECTION.
- CHECK AND TIGHTEN ALL NUTS AND BOLTS.



WINCHES

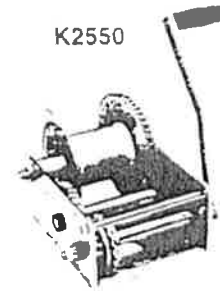
Fulton Automatic Brake Winches



K1051



K1550



K2550

Fulton's K Series self-activating automatic brake winches hold the load securely when the crank handle is released. Unlike our competitors, no minimum line load is required to activate the brake or pay out cable from the winch. Typical applications include boat lifts, grain augers, manual fork lifts, retractable swing keels, dumpster lid lifts and manual hoists. Drum hubs are 10X recommended cable size to maximize cable life.

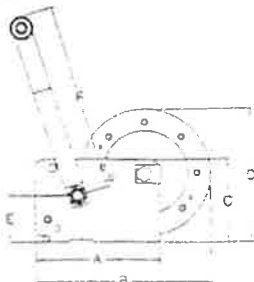
- Notes:
- Fulton brake winches meet FIEI and ASAE S361.3T standards.
 - Winch mounting hardware sold separately. Refer to instruction sheet for recommended bolt size and grade.
 - All Fulton winches are rated on the first layer of recommended rope, strap or cable. The winch must be derated as additional layers are used. Derate the capacity 10% per additional layer of rope, strap or cable.
 - Fulton winches are NOT designed to be human hoists and should never be operated when there are persons on or under the load being moved.

Model	Max Rated		* Max. Cable Size Data			Mechanical Data			Max. Mech. Adv.	Free Wheel
	Line Pull		(7 x 19 Galvanized Aircraft Cable)			Gear Ratio	Handle Length	Drum Hub Dia.		
	1st Layer	Full Drum	Diameter	Test Strength	Drum Storage					
K 1051	1000 lbs 454 kg	500 lbs 227 kg	7/32" (5.5 mm)	5600 lbs 2540 kg	50 ft 15 m	4:1:1	11" 27.9 cm	2-1/4" 57 mm	29:1	No
K 1550	1500 lbs 680 kg	700 lbs 318 kg	1/4" (6 mm)	7000 lbs 3175 kg	70 ft 21 m	5:1:1	11" 27.9 cm	2-1/2" 63 mm	32:1	No
K2550	2500 lbs 1134 kg	1500 lbs 680 kg	5/16" (8 mm)	9800 lbs 4445 kg	70 ft 21 m	15:8:1	11" 27.9 cm	3-1/8" 79 mm	54:1	No

Max. Mech. Adv.: Based on first layer of recommended line on the drum. For maximum efficiency, use only the amount of line required.

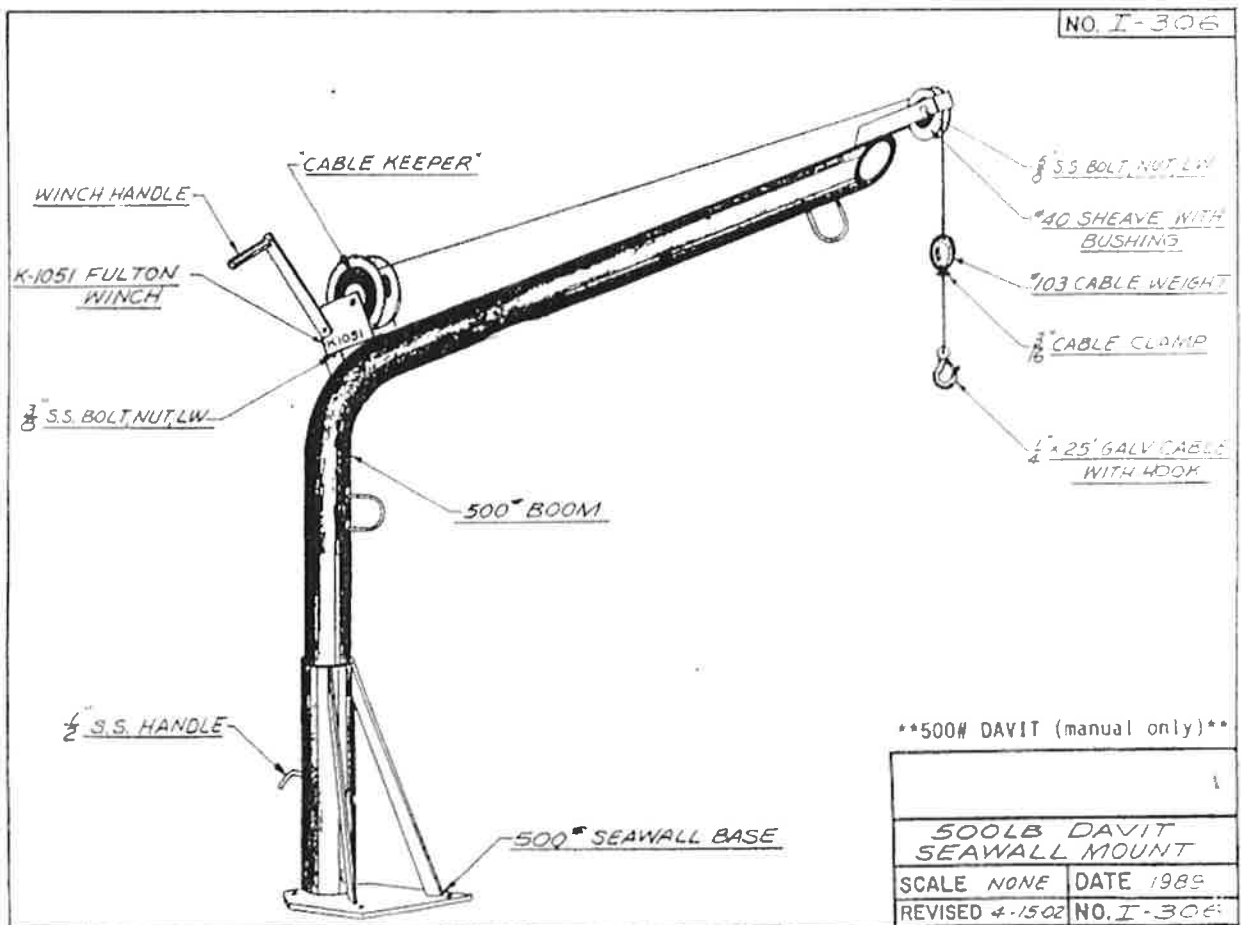
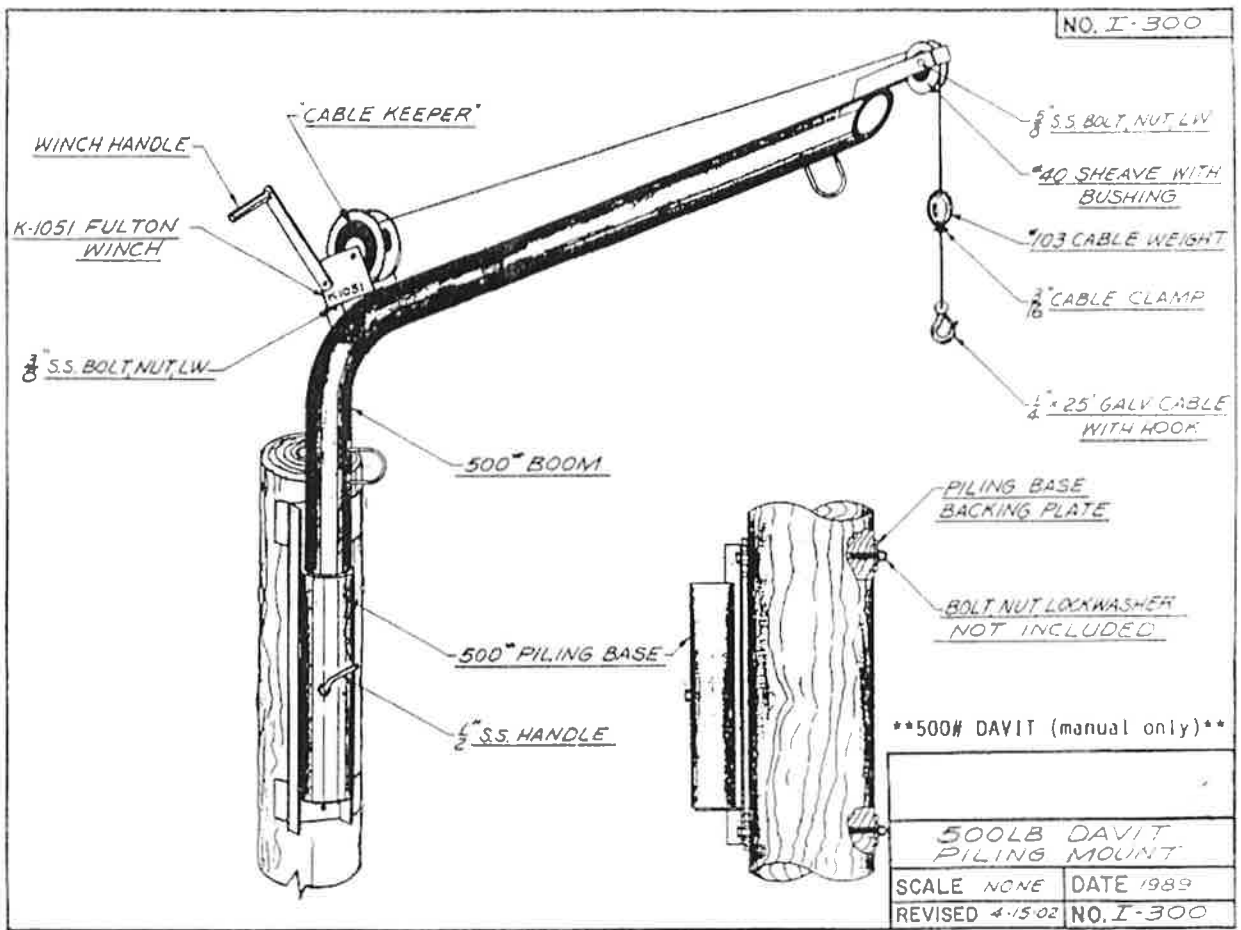
Only winches that are shown to accommodate steel cable should be used with steel cable. Cable keeper kits are included with the winches specifying steel cable. Winches rated for steel cable have a larger drum hub to reduce or lessen chance of kinking or fraying.

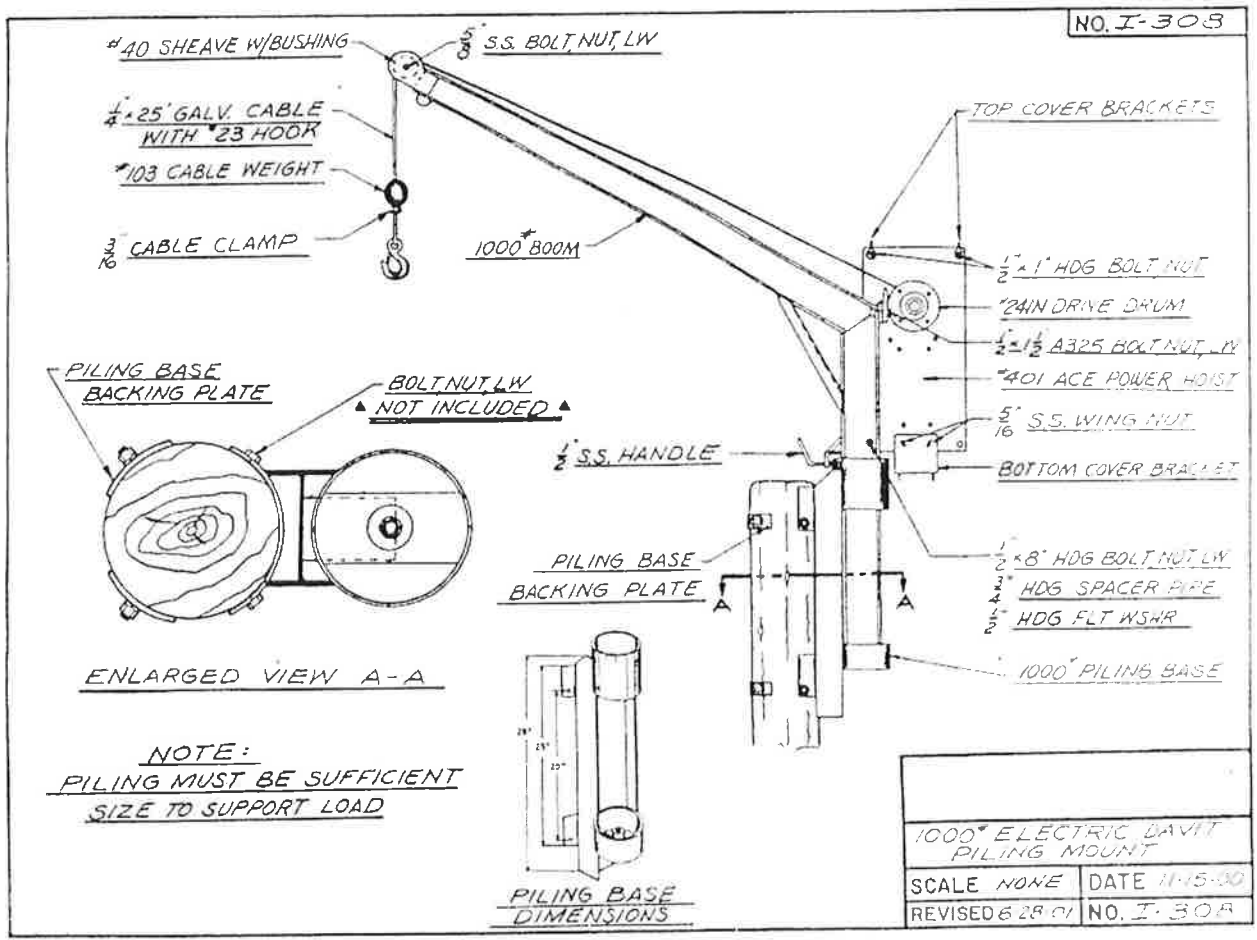
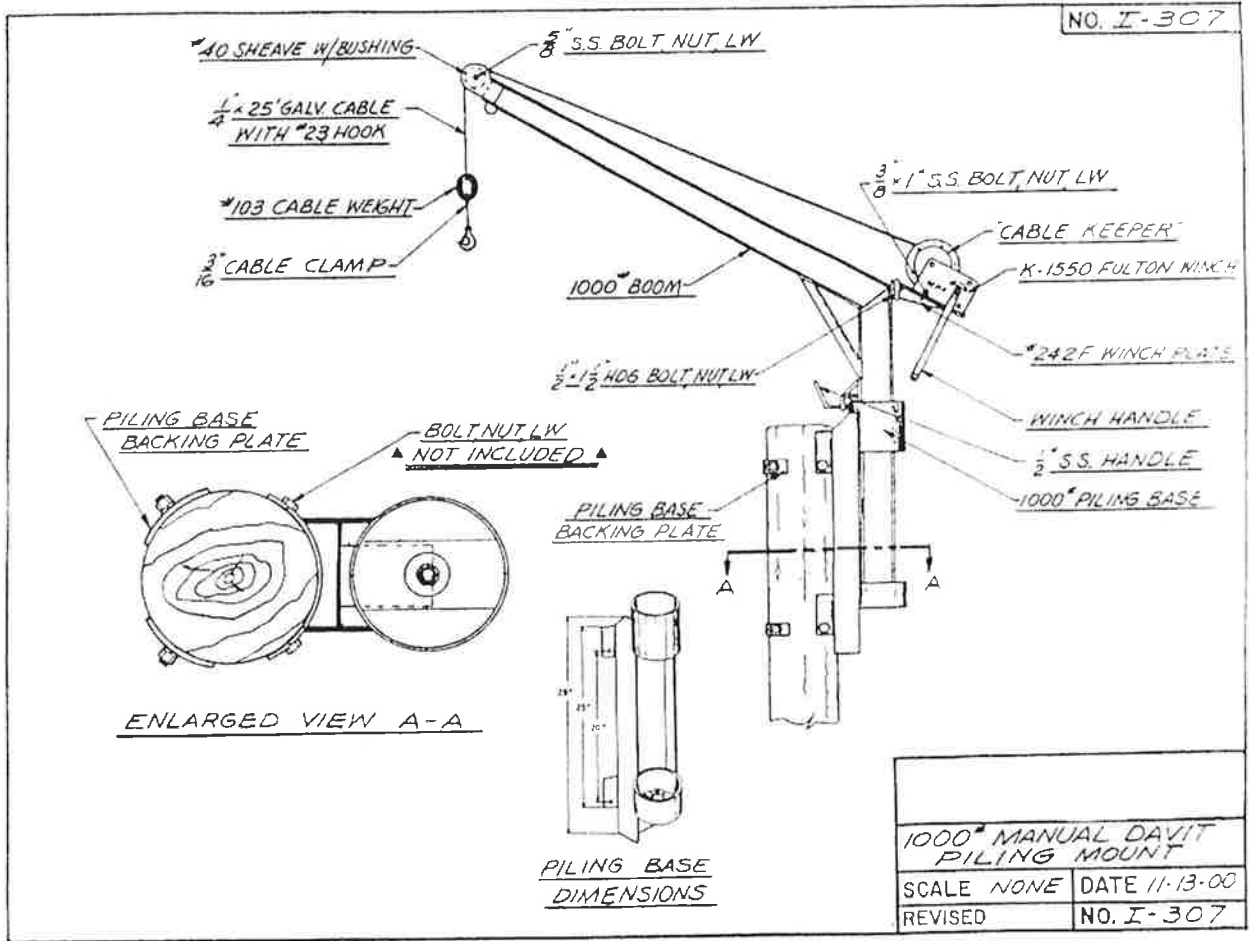
Dimensional Information

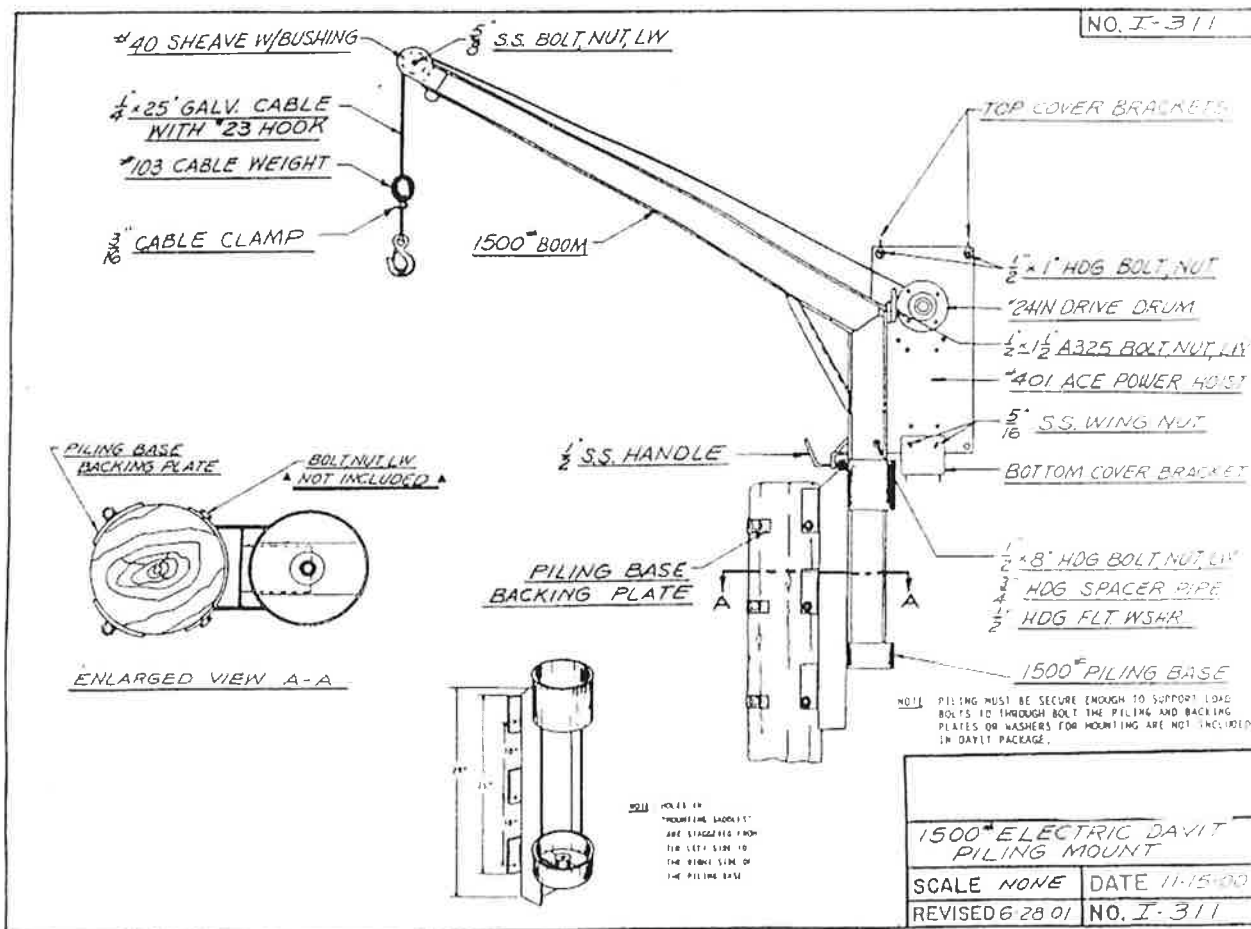
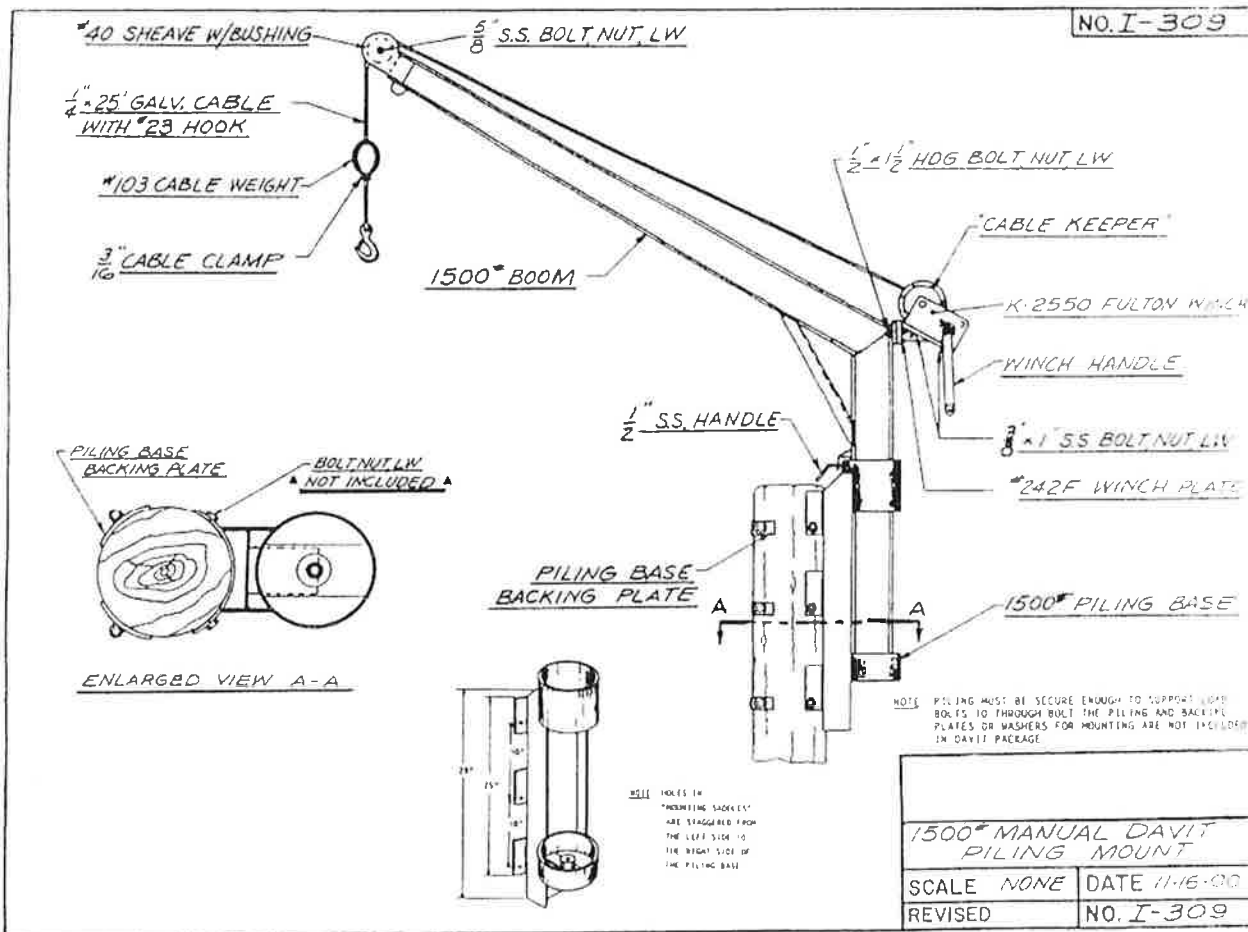


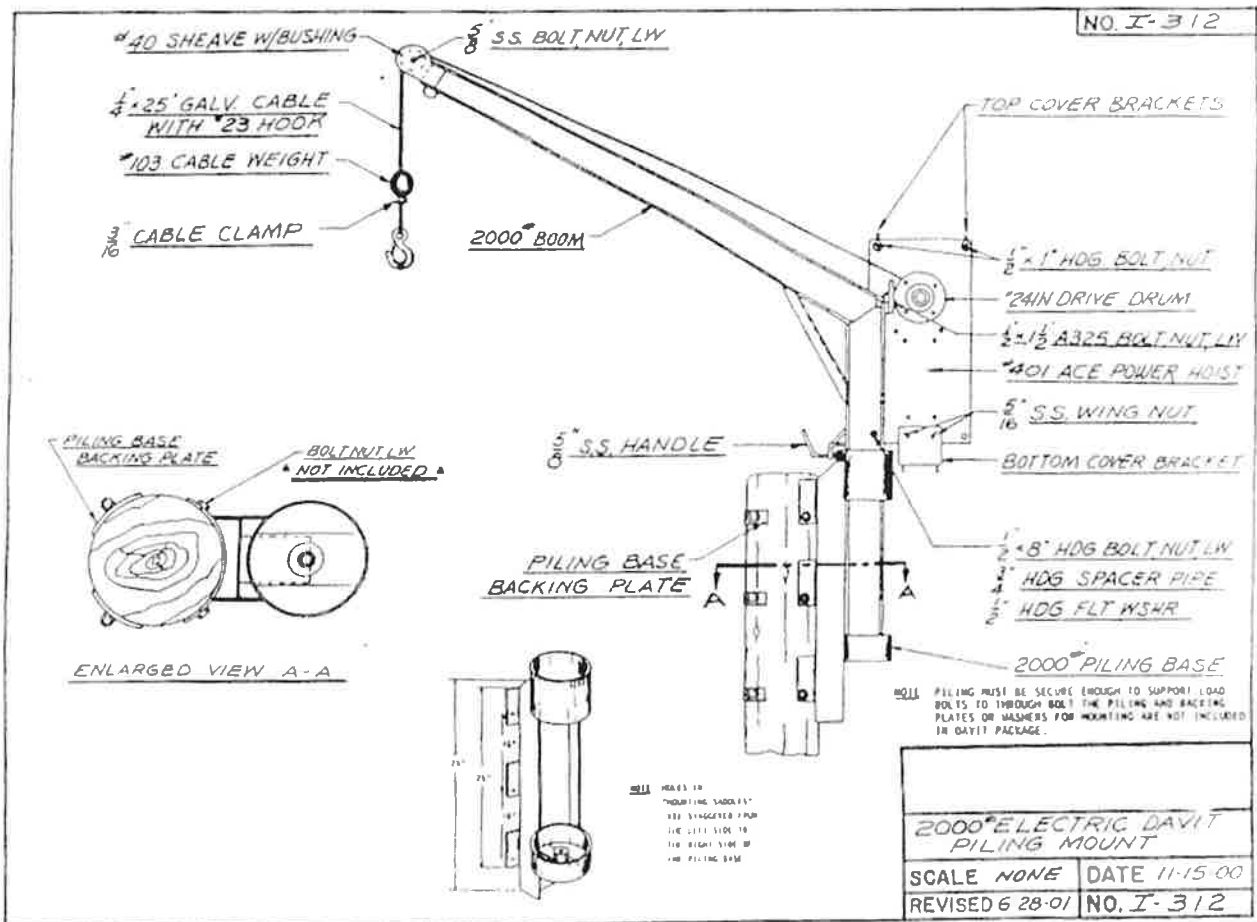
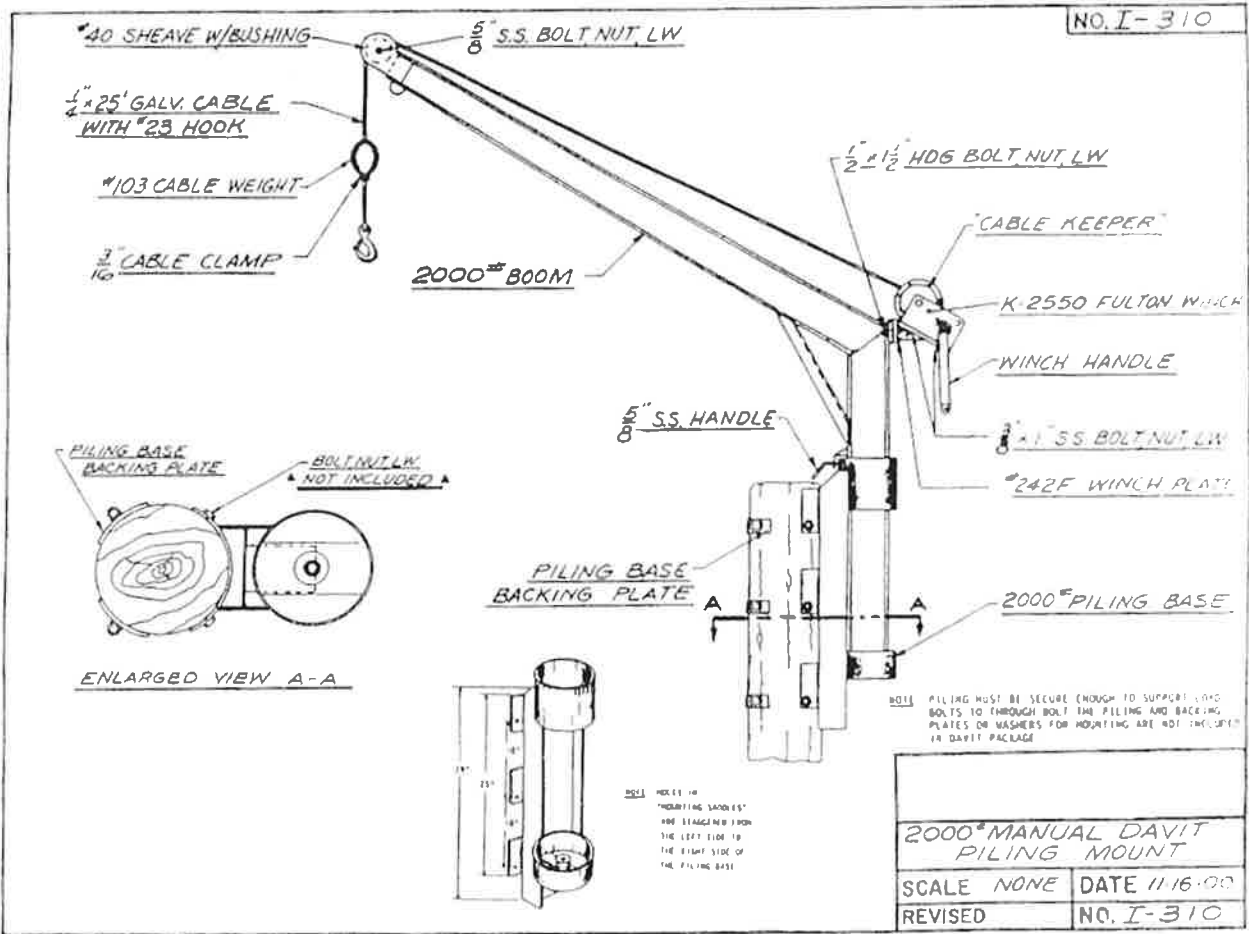
Model	A	B	C	D	E	F
K 1051	5.25"	7.46"	3.69"	5.89"	1.90"	11.00"
K 1550	6.56"	9.23"	4.39"	7.08"	2.46"	11.00"
K2550	8.63"	11.13"	5.60"	7.13"	2.08"	11.00"

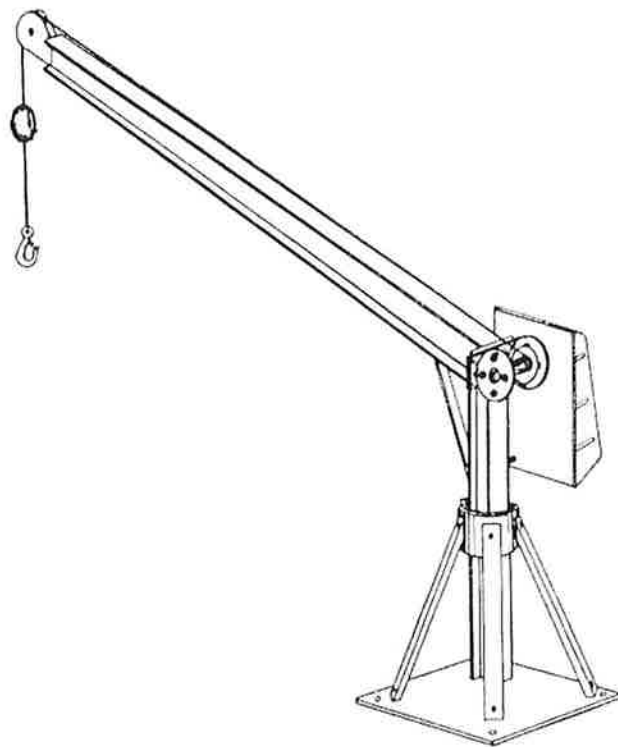
Contact Fulton Rep for mounting hole information.







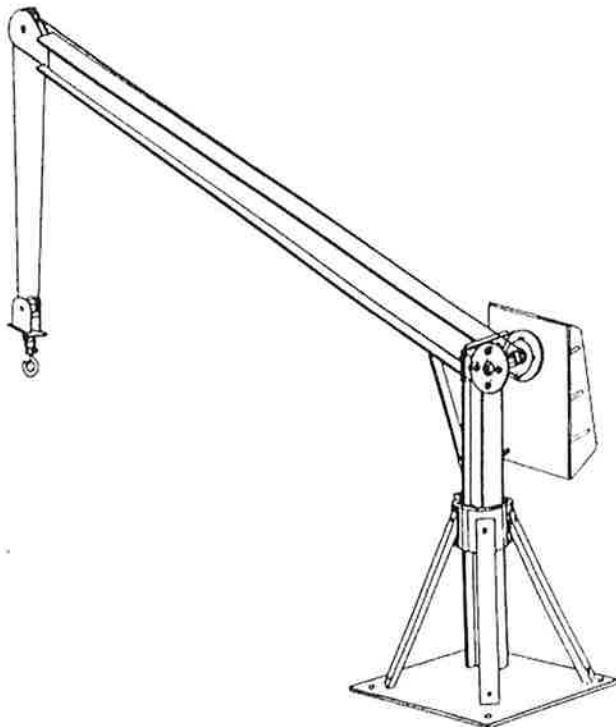




★ 1,000#; 1,500#; 2,000# DAVITS (manual or electric) ★

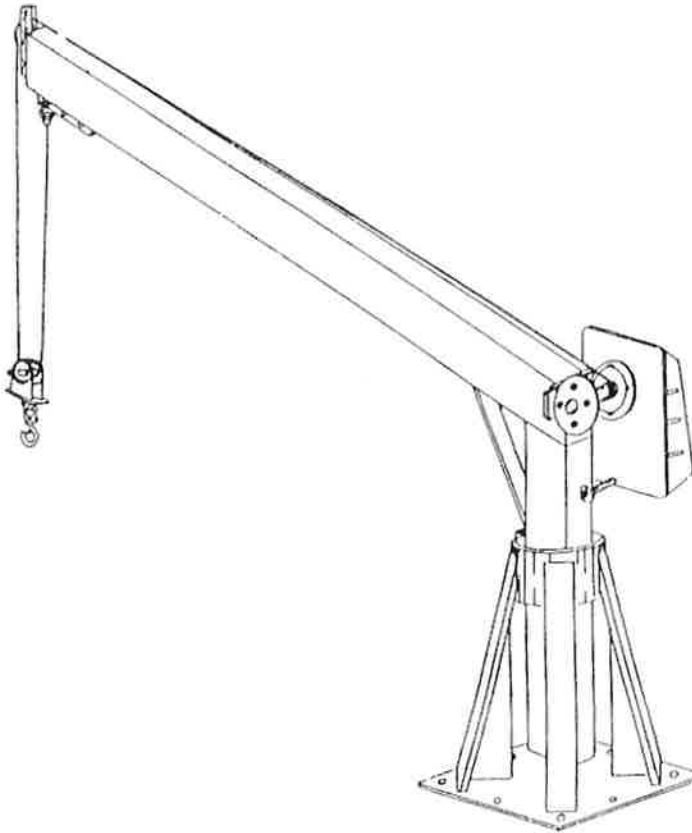
1000# 1500# 2000# LOAD

SINGLE LINE DAVIT
DR. NO. I-301
REVISED 4-13-62



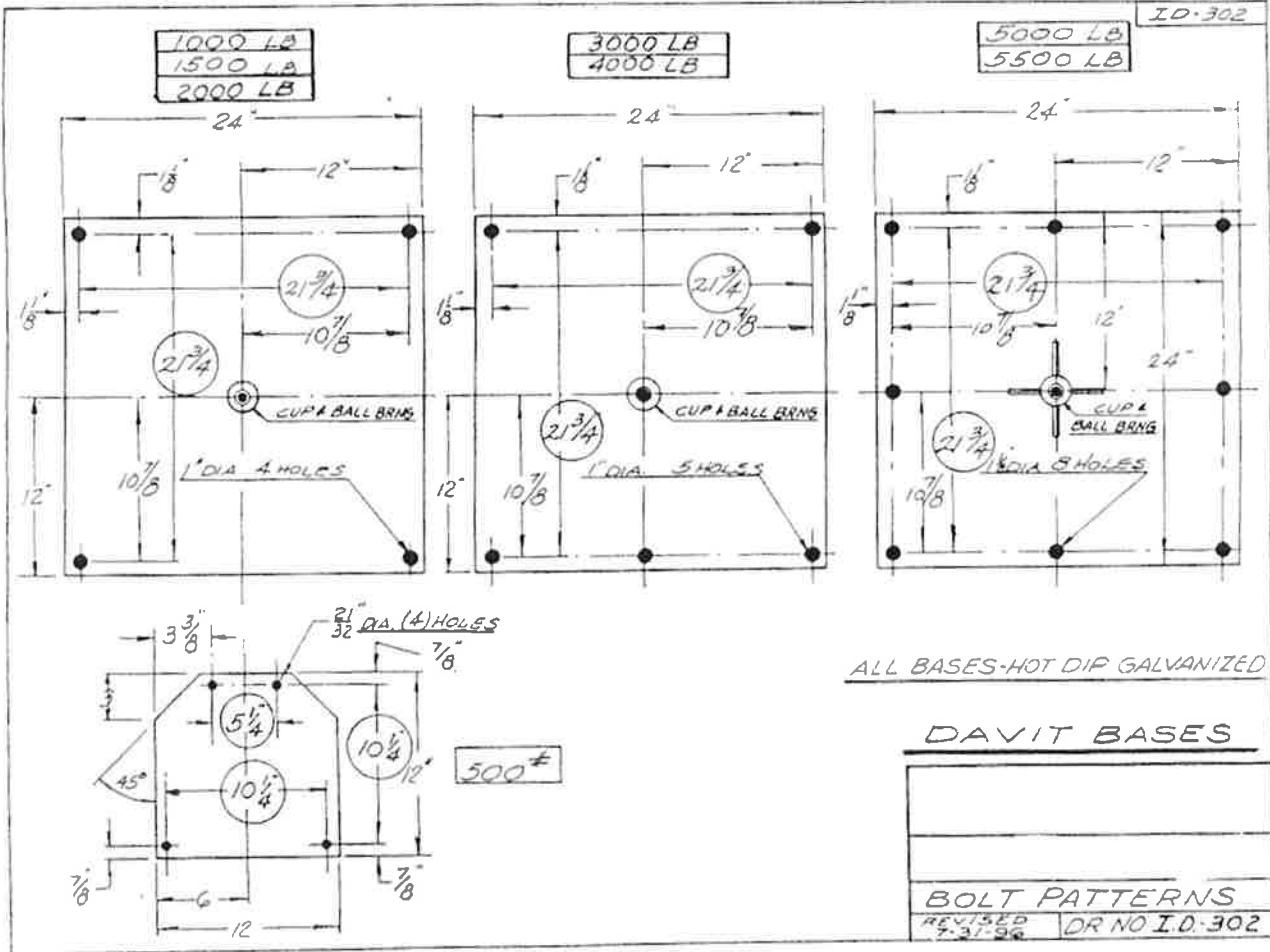
3000#, 4000#, 5000# DAVITS
ELECTRIC ONLY

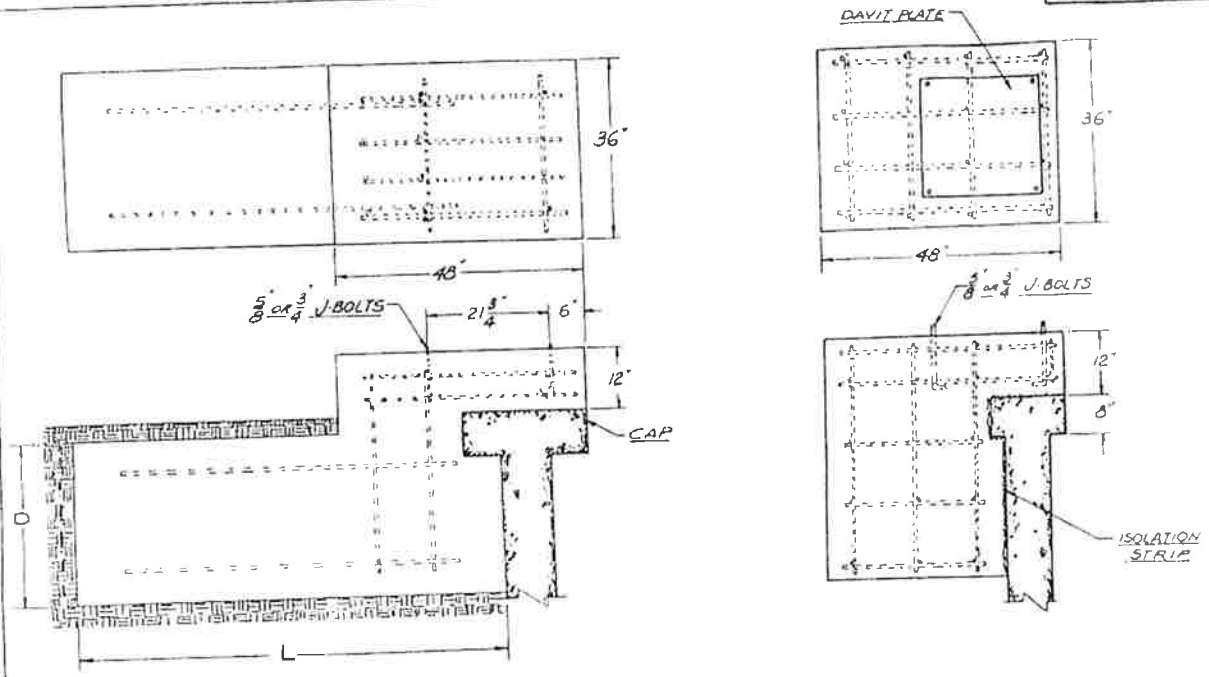
3000# 4000# 5000# LOAD
2 PART LINE DAVIT
SCALE NONE
DATE 12-3-01
REVISED 4-15-02
NO. I-313



••5,500# DAVITS (electric only)••

5500 LB DAVIT	
SCALE NONE	DATE B P
REVISED 4/15/02	NO. I-302



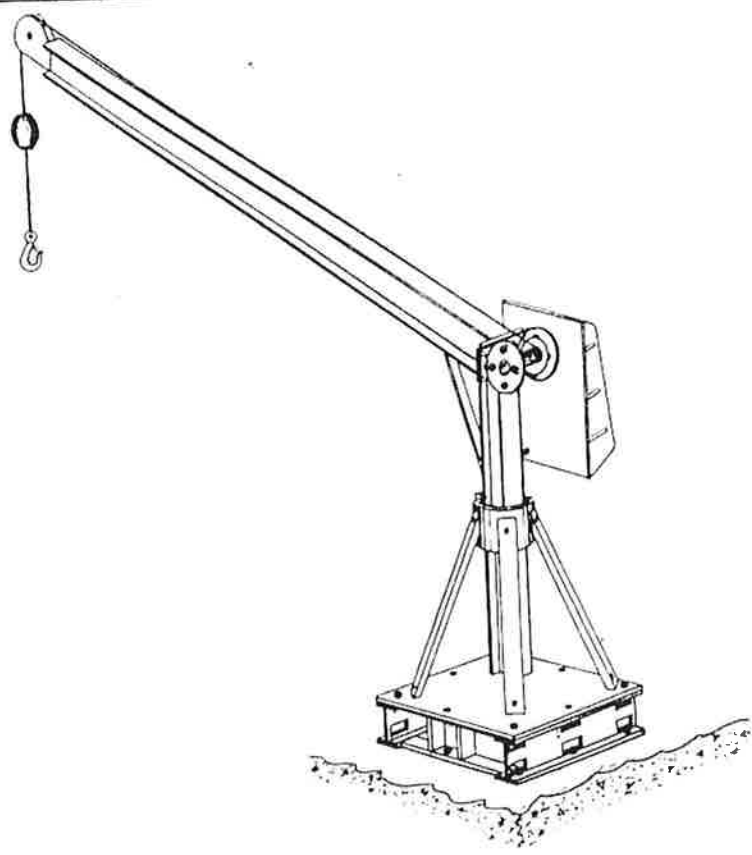


NOTE
 ACE BOAT HOIST MAKES NO RECOMMENDATION
 FOR CONCRETE FOUNDATION DESIGN

DAVIT SIZE	L	D	3000 PSI CONCRETE CU. YD.
1000 LB	37"	24"	1 1/2
2000 LB	72"	30"	2
5500 LB	72"	36"	2 1/2 re 3

DRAWINGS SHOWN ARE SUGGESTIONS BY INSTALLERS.
 THE AMOUNT & QUALITY OF CONCRETE & REINFORCING RODS,
 REQD FOR FOUNDATION TO MAINTAIN INTEGRITY OF DAVIT &
 SEAWALL IS DETERMINED BY CONTRACTOR WHO HAS KNOWLEDGE
 OF SEAWALL & EXISTING TERRAIN CONDITIONS.

FOUNDATION SUGGESTIONS	
SCALE NONE	DATE 10-21-96
REVISED	NO. I.D. 305

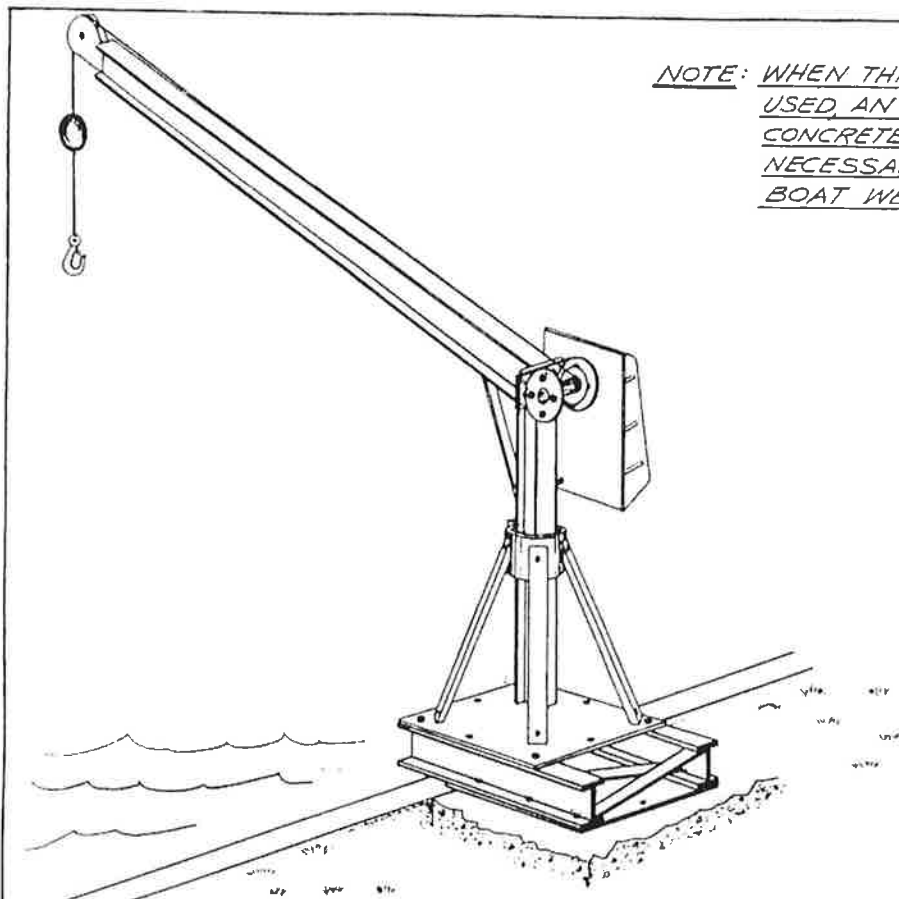


#824 BASE RISER(raises davit 10")

DAVIT BASE RISER APPLICATION	
SCALE NONE	REVISED 4-15-02
NO. I-304	

NO. I-305

NOTE: WHEN THIS RISER EXTENSION IS USED, AN INCREASE IN RECOMMENDED CONCRETE PER DAVIT MAY BE NECESSARY FOR ALL BOAT WEIGHTS.

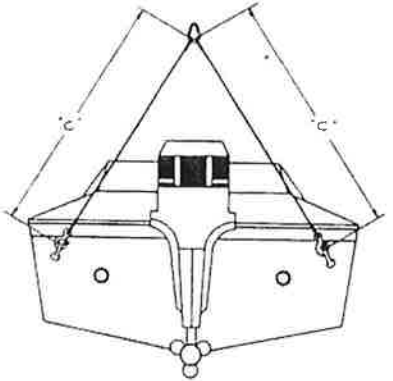


#825 BASE EXTENDER (moves davit 12" and raises davit 10")

DAVIT BASE RISER AND EXTENSION APPLICATION	
SCALE NONE	REVISED 2-15-02
NO. I-305	

NO. I.D.-505

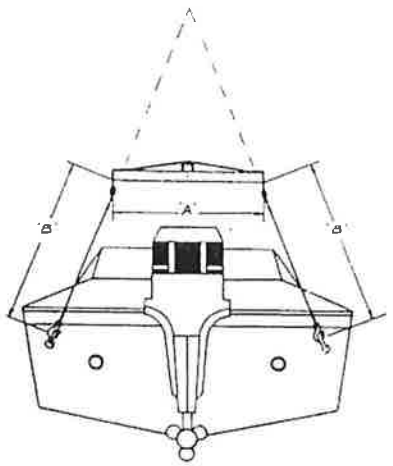
PROCEDURE TO DETERMINE SPREADER BAR and/or CABLE SLING SIZES



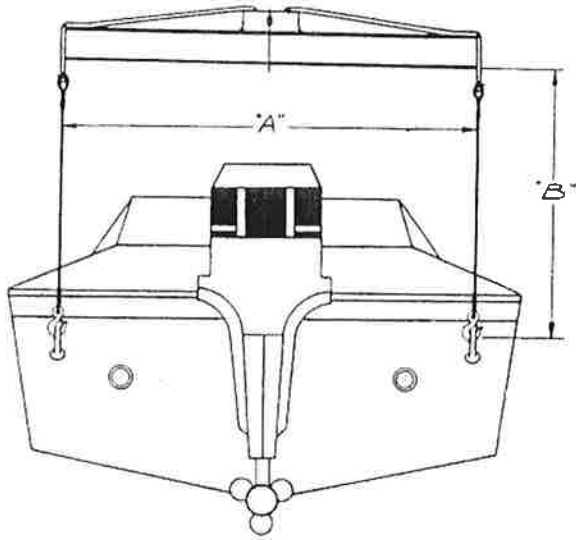
1. SPREADER BAR or SLING
KEEP THE INTEGRITY OF CABLE PULL AT THE SAME ANGLE AS THE LIFTING EYES. USE A STRING IF NECESSARY.

2A. SLING (ONLY)
MEASURE DISTANCE ("C") FROM INSIDE OF THE LIFTING EYE TO THE RING FOR LENGTHS OF SLINGS.

2B. SPREADER BAR (ONLY)
MEASURE DISTANCE ("A") BETWEEN LINES AT A HEIGHT THAT CLEARS ALL EQUIPMENT. THIS DISTANCE IS USED TO DETERMINE SPREADER BAR LENGTH & SHOULD BE LESS THAN OR EQUAL TO ("A").
SPREADER BAR SIZES ARE AVAILABLE FROM 2'0" TO 8'0" LENGTHS IN 6" INCREMENTS.
LENGTH OF SPREADER BAR DROPS ("B") IS MEASURED FROM THE BOTTOM OF THE SPREADER BAR TO THE INSIDE OF THE HOOK.



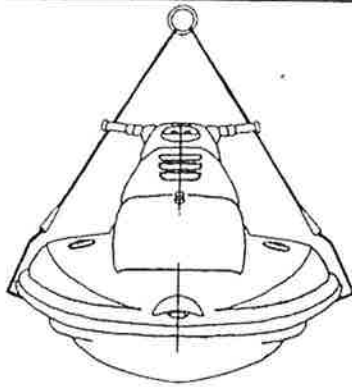
FOR USE WITH SLANTED LIFTING EYES	PROCEDURE FOR SPREADER BAR & SLING SIZE
	SCALE NONE
	NO. I.D.-505



PROCEDURE TO DETERMINE SPREADER BAR SIZE

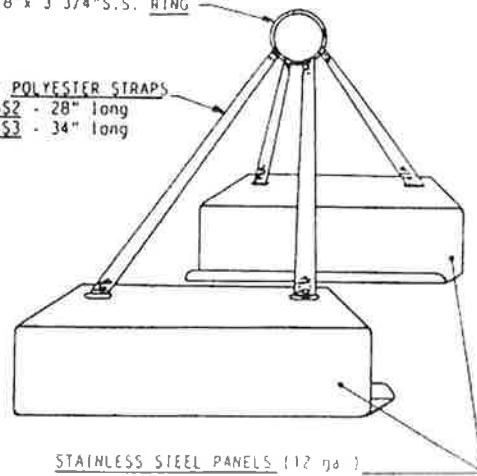
MEASURE DISTANCE ('A') BETWEEN LINES AT A HEIGHT THAT CLEARS ALL EQUIPMENT. THIS DISTANCE IS USED TO DETERMINE SPREADER BAR LENGTH & SHOULD BE LESS THAN OR EQUAL TO ('A'). SPREADER BAR SIZES ARE AVAILABLE FROM 2'-0" TO 8'-0" LENGTHS IN 6" INCREMENTS. LENGTH OF SPREADER BAR DROPS ('B') IS MEASURED FROM THE BOTTOM OF THE SPREADER BAR TO THE INSIDE OF THE HOOK.

SPREADER BAR MEASUREMENT
PARALLEL LIFTING EYES
SCALE - NONE
NO. I.D.-506



3/8" x 3 3/4" S.S. RING

1" POLYESTER STRAPS
JSS2 - 28" long
JSS3 - 34" long

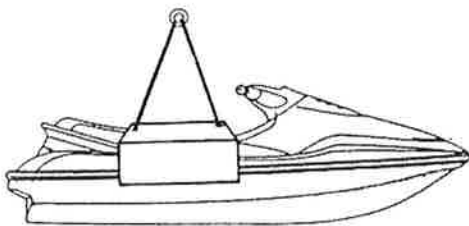


STAINLESS STEEL PANELS (12 ga)

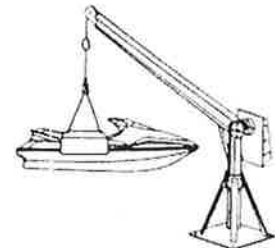
JSS2 - FOR STAND-UP & 2-SEATER 24" long

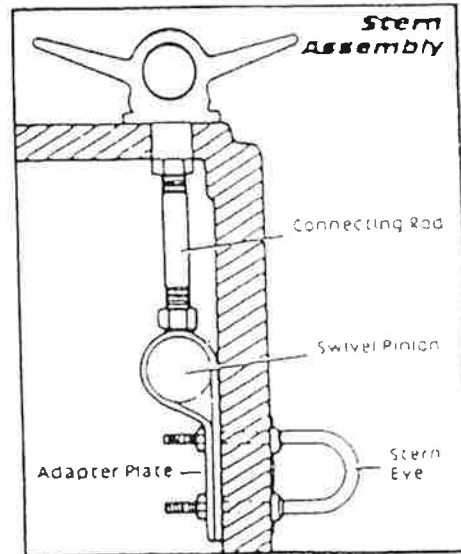
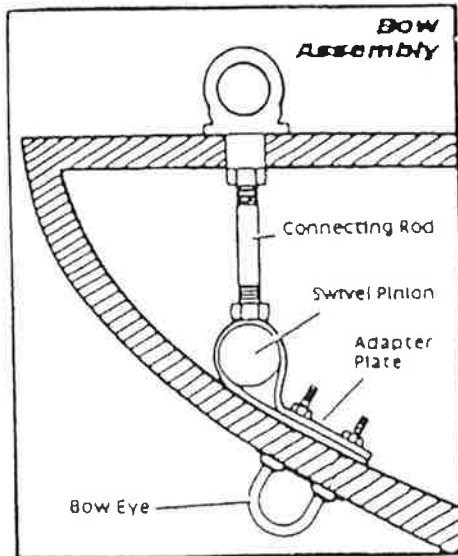
JSS3 - FOR LARGE THREE SLATER 36" long

*** CAN BE SENT UPS ***



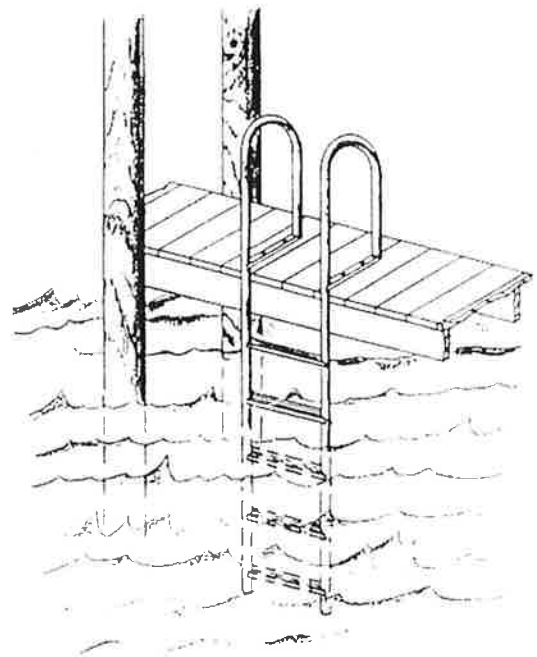
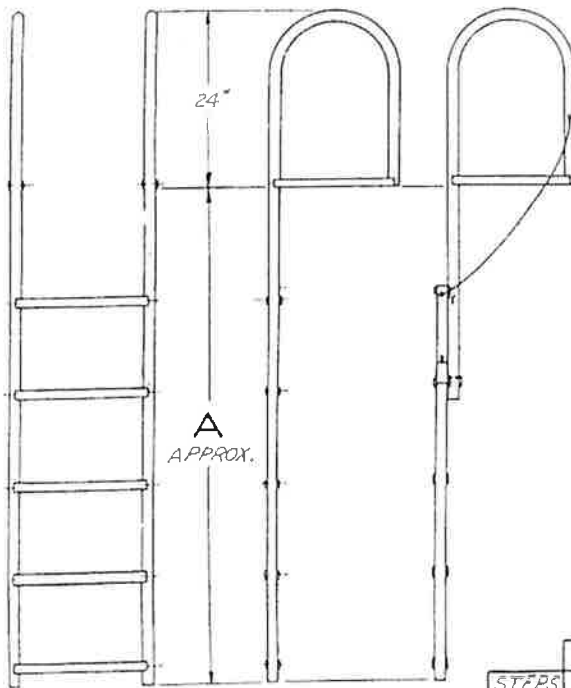
**PERSONAL WATERCRAFT
LIFTING BRACKETS
USED FOR
DAVITS**





ILLUSTRATIONS OF COMMON LIFT EYE TECHNIQUES.
PARTS AVAILABLE AT MARINAS OR MARINE SUPPLY OUTLETS.
NO LIFT EYE KITS AVAILABLE FROM ACE BOAT HOIST.

NO. I-501



STEPS	MODEL NO.	RIGID	RETRAS. TABLE	DIMEN. A	
4	A 74	NONE		50 3/4	ALUMINUM DOCK LADDER INSTALLATION
5	A 75	A75RL		62 3/4	
6	A 76	A76RL		74 3/4	SCALE NONE
7	A 77	A77RL		86 3/4	NO. I-501

LIMITED WARRANTY

ACE BOAT HOIST hereby warrants to the original retail purchaser of each of its products that such products are free from defective materials and workmanship for a period of one (1) year from the date of purchase, when purchased from Ace Boat Hoist or a dealer authorized by Ace Boat Hoist to sell such products. This limited warranty is valid only when such products are used under normal conditions of recommended use. During this period, Ace Boat Hoist will repair or replace, at the option of Ace Boat Hoist, any product or component part manufactured by Ace Boat Hoist without charge for parts or repairs on any such product or component. All products, component parts, equipment or accessories not manufactured by Ace Boat Hoist are not covered by the provisions of this warranty, but may be covered by the warranties of the manufacturers supplying such products, component parts, equipment and accessories.

Warranty Exclusions

This Warranty does not include:

1. Any product or component part which has been subjected to abuse, neglect, accident or unauthorized and improper usage.
2. Any product or component part which has been altered or repaired by anyone not authorized by Ace Boat Hoist to make such alterations or repairs during the term of this warranty.
3. Any product or component part which has been subjected to stress or lift dead weight in excess of its rated capacity.
4. Any defect, damage or injury resulting from the consumer or any other person standing in or on any boat, platform or other such item which is attached to any product or component part thereof.
5. Any defects, damage or injury attributable to transportation of any product or component part thereof.
6. Defects in materials or workmanship which could have been discovered by a reasonable examination of the product or component part under normal use and service.
7. Any incidental or consequential damages or injuries.

Other than as set forth above, Ace Boat Hoist makes no other express or implied warranties with respect to any product or component part manufactured or sold by Ace Boat Hoist. No person or dealer is authorized to make any representations, promises or warranties on behalf of Ace Boat Hoist. Any implied warranties of merchantability or fitness for a particular purpose are limited to one (1) year from the date of sale to the original purchaser.

This warranty gives you specific legal rights, and you may also have other rights which may vary from state to state. Some states do not allow limitations on how long an implied warranty lasts, so the above limitation may not apply to you. Some states do not allow the exclusion or limitation of incidental or consequential damages, so the above limitation or exclusion may not apply to you.

In order to obtain service or to make a warranty claim, the consumer should provide the following information to Ace Boat Hoist at 2211 S. Trail, Venice, FL 34293.

1. State your name, address and telephone number.
2. State the make and model of your product.
3. State the date your product was installed.
4. State the date you purchased your product and from whom it was purchased. Please provide a proof of purchase.
5. State in clear and concise terms the actual defect that is the basis for your warranty claim.