

LUNMAR ADJUSTABLE ALUMINUM MOUNT INSTALLATION INSTRUCTIONS 4000# / 8000# / 10,000# CAPACITY

Top Beam Measurement and Installation Guide

- 🔧 Measure desired length of top beams including the width of the band boards (Measurement A)
- 🔧 Allow 1-1/2" of overhang on each side.
- 🔧 Place the I-Beams on top of the band boards, but do not secure.
- 🔧 Top I-Beams should be spaced 10'-4" from center of front I-Beam to center of rear I-Beam.
- 🔧 **Important:** Make sure the beams are square to each other. Measure front to back on both sides and measure diagonals.

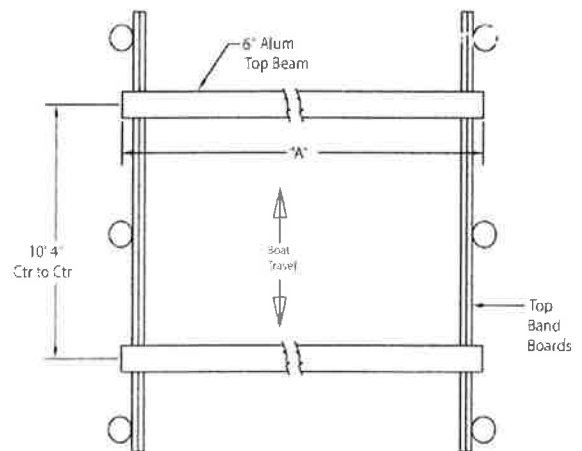


Diagram #1

Top Beam Measurement and Installation Alternative

If the roof design and pitch does not allow the top beams to be installed on top of the band boards, it will be necessary to install the optional side mount buckets.

- 🔧 Locate and mount the side mount buckets to the band board. Through bolt with 1/2" high strength bolts.
- 🔧 Make sure that the buckets allow the top beams to be 10'-4" from center of front beam to center of back beam.
- 🔧 **Important:** Check that the beams will be square to each other. Measure front to back location of the buckets on both sides and measure the diagonals.
- 🔧 Measure from inside of bucket (allow for bolt head) to inside of bucket and cut top beams to match (Measurement A).
- 🔧 Set top beams into buckets.

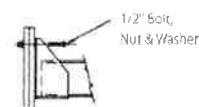
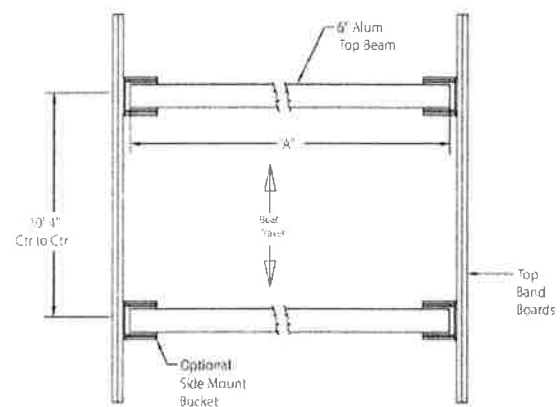


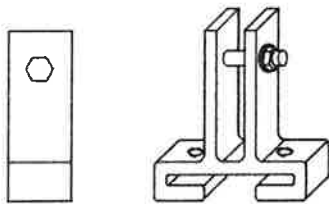
Diagram #2

Slide-on Assemblies

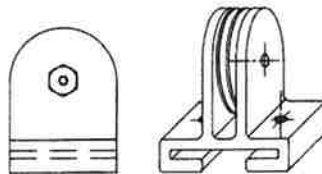
There are five adjustable, slide-on assemblies that can be used on the KT lifts, depending on the capacity of the lift being installed. The diagrams below detail each assembly.

- Each slide-on assembly comes with two drilled and tapped holes and set-screws to lock the assembly to the I-Beams.
- See configuration diagram on page 7 for correct position and type of slide on assemblies required.
- Install the provided 1/2" set screws into the required assemblies and slide on to the top beam.
- Do not tighten the set screws at this time.

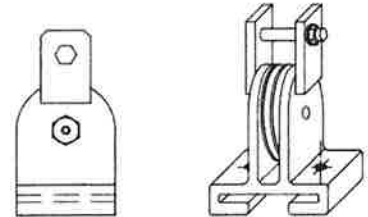
Slide-on Deadman



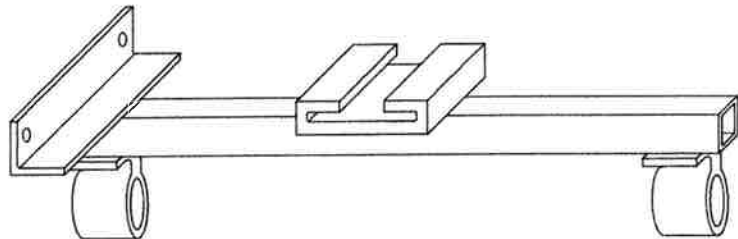
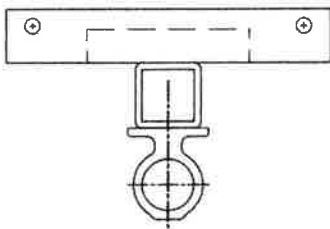
Slide-on Sheave Assembly



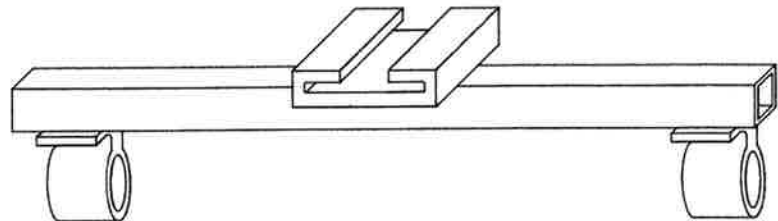
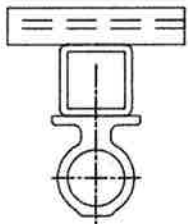
Slide-on Pulley Asm. with Deadman



Pipe Hanger and Motor Mount



Pipe Hanger Pulley Assembly



Drive Pipe and Winder Installation for Single Motor Lifts

☝ Position the drive pipe hangers in the center of the slip. For the 6,000 lb. capacity lift, place drive pipe hangers to the left of center. (Note 6,000 lb. single motor front elevation diagram on page 7.)

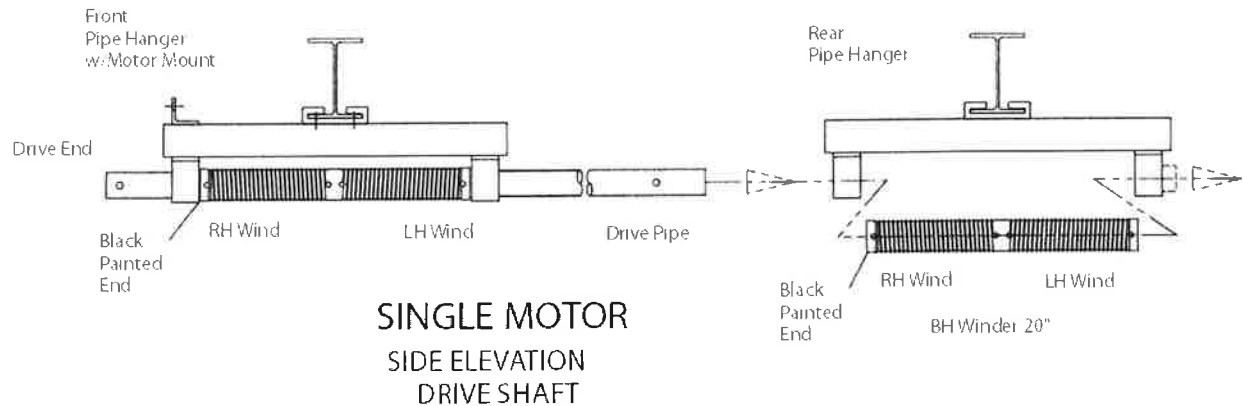
☝ **Important:** There must be 7" of clearance from the band board to the center of the drive pipe to allow for the installation of the gear box and cover.

☝ Insert the drive pipe and cable winders into the pipe hangers.

☝ **Important:** Make sure the drive connection hole of the drive pipe (1" in from the end of the pipe) is at the motor-mount end of the motor mount pipe hanger.

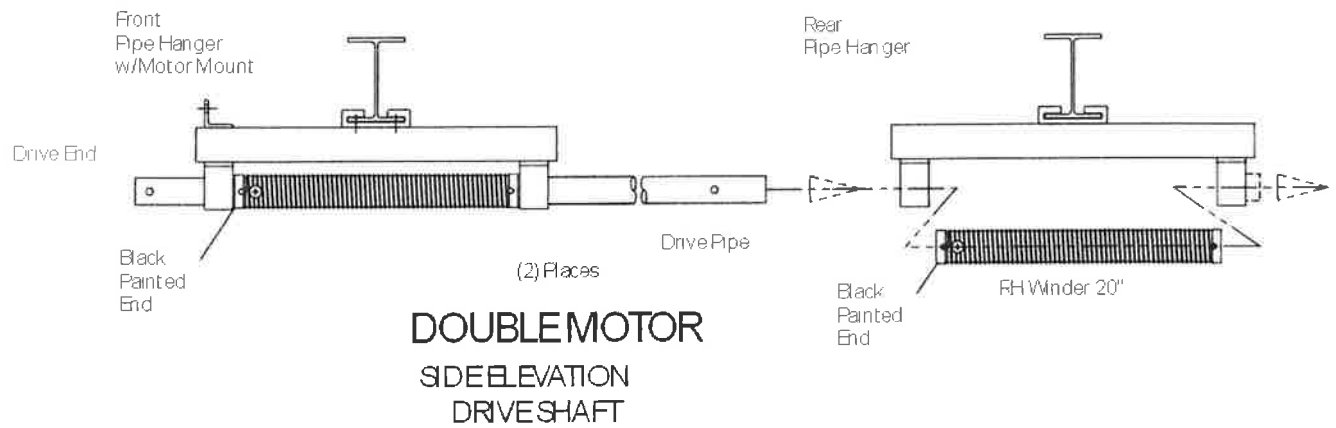
☝ Make sure the black painted end of the cable winder is pointing towards the motor.

☝ Install provided bolts, flat washers and nuts to secure the cable winder to the drive pipe.



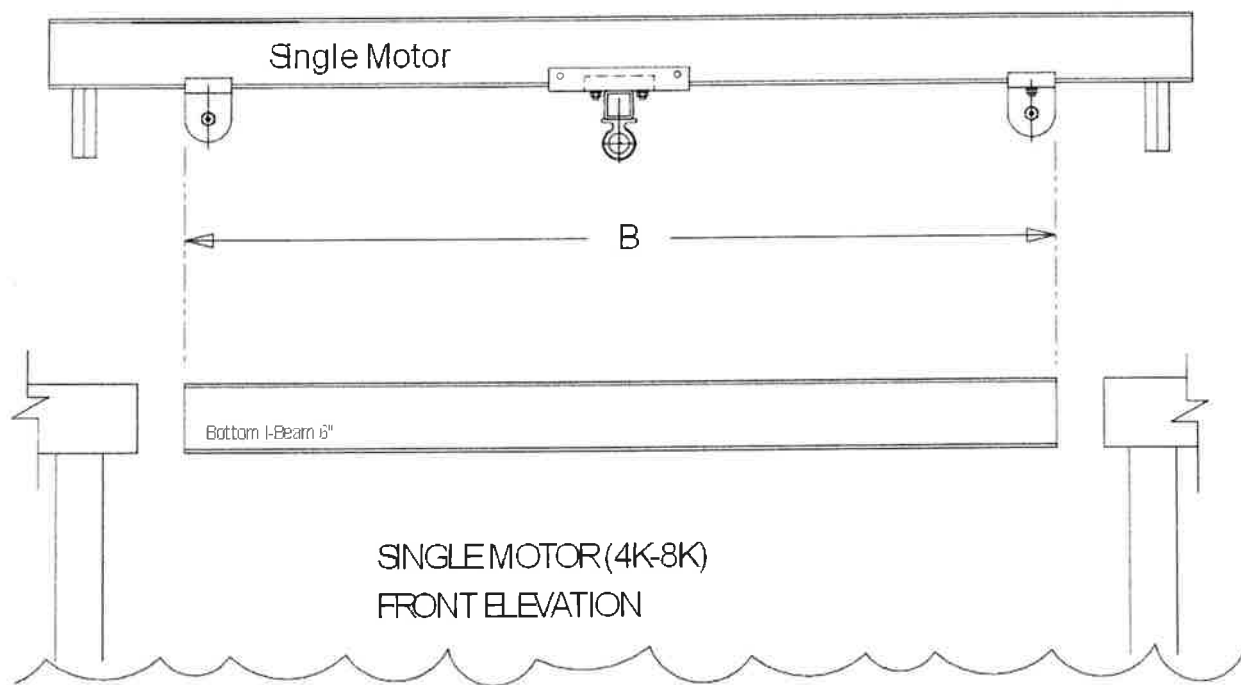
Drive Pipe and Winder Installation for Two Motor Lifts

- ☞ Position the drive pipe hangers on the sides of the slip.
- ☞ **Important:** There must be 7" of clearance from the band board to the center of the drive pipe to allow for the installation of the gear box and cover.
- ☞ Insert the drive pipe and cable winders into the pipe hangers.
- ☞ **Important:** Make sure the drive connection hole of the drive pipe (1" from the end of the pipe) is at the motor mount end of the motor mount pipe hanger.
- ☞ Make sure the black painted end of the cable winder is pointing towards the motor.
- ☞ Adjust the pipe hangers to allow the pipe to turn without bind.
- ☞ Lock down the set screws in the four pipe hangers.



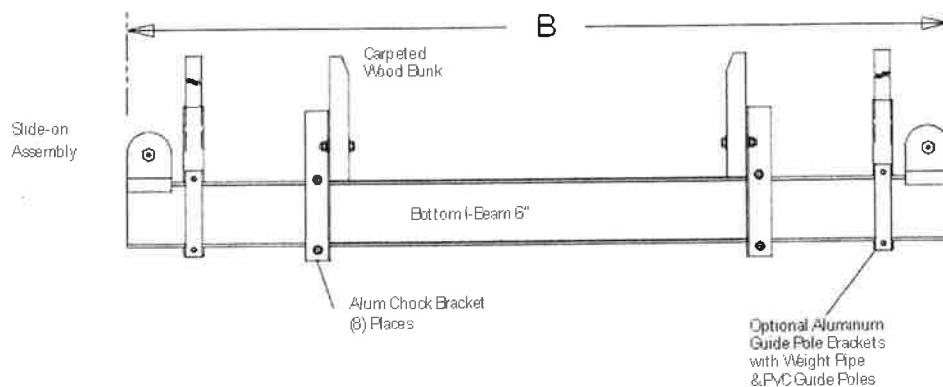
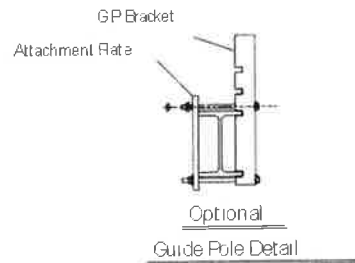
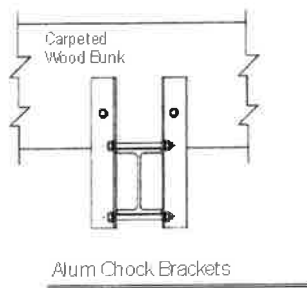
Slide-on Pulley Assemblies for Top Beam

- ☝ Position the slide-on pulley assemblies in the required position to allow the cables to drop freely and not interfere with any walkways.
- ☝ Measure (measurement B) from the outside of pulley cheek to outside of pulley cheek and record. This is the length of the bottom lifter beam.
- ☝ Lock down the set screws in the slide-on pulley assemblies.



Bottom Beam Assembly

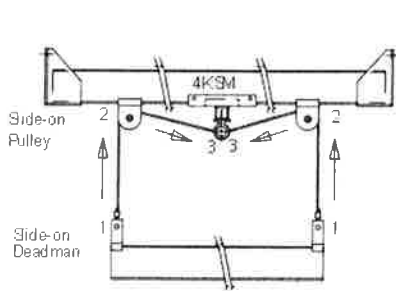
- 1. Cut the bottom lifter beams to length measurement B.
- 2. Install proper slide-on assembly flush to each end of the lifter beam.
- 3. Tighten all screws.
- 4. Install chock angles to lifter beam using provided bolts.
- 5. Install **optional** guide pole assemblies with back plates using provided bolts.
- 6. Set lifter beams equal distance apart as top beams.
- 7. Set provided wood bunks on lifter beams and drill and install bunks to bunk brackets with provided bolts, washers and nuts.



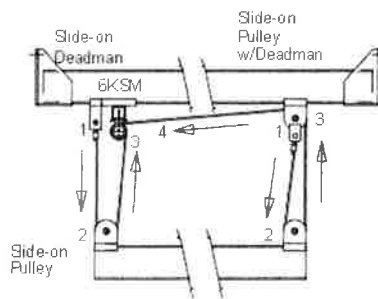
Bottom Beam Assembly

Cable Routing

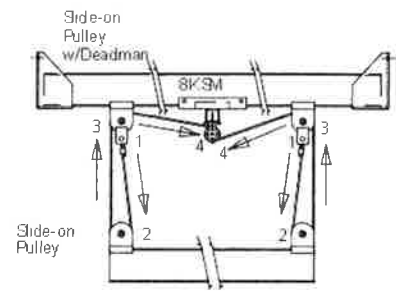
Starting at the dead man, install the cable and route according to the diagram below, per the capacity lift.



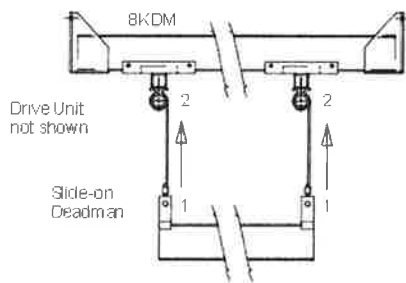
SINGLE MOTOR 4,000#
FRONT ELEVATION



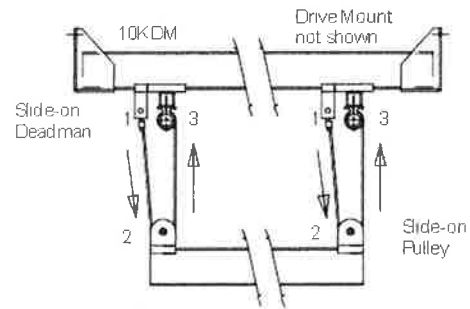
SINGLE MOTOR 6,000#
FRONT ELEVATION



SINGLE MOTOR 8,000#
FRONT ELEVATION



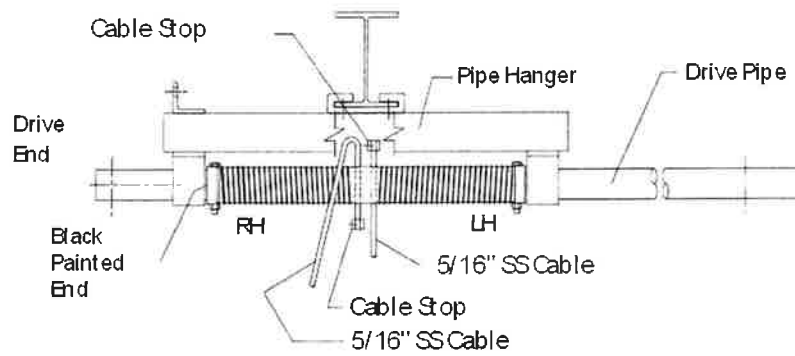
DOUBLE MOTOR 8,000#
FRONT ELEVATION



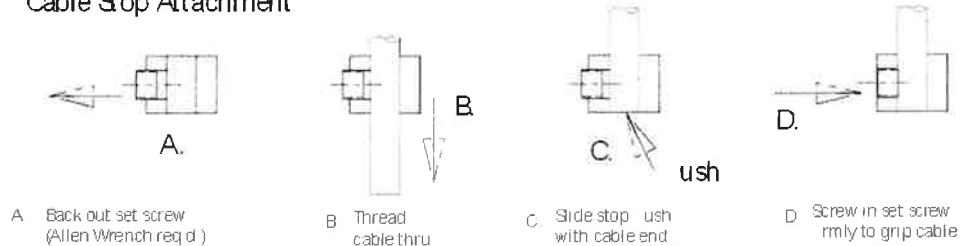
DOUBLE MOTOR 10,000#
FRONT ELEVATION

Cable Installation - Single Motor Lifts

- 🔧 Turn the drive pipe to allow access to the two cable holes drilled through the winder and drive pipe.
- 🔧 Make sure the black painted end of the cable winder is pointed towards the motor before proceeding with cable installation.
- 🔧 Insert one lift cable completely through the winder assembly and attach the provided cable stop on the end of the cable. Tighten the cable stop set screw and pull the stop back to the cable winder.
- 🔧 Insert the other cable from the opposite side and install the cable clamp.
- 🔧 Upon operating the lift, the cables will run in the opposite directions from each other.

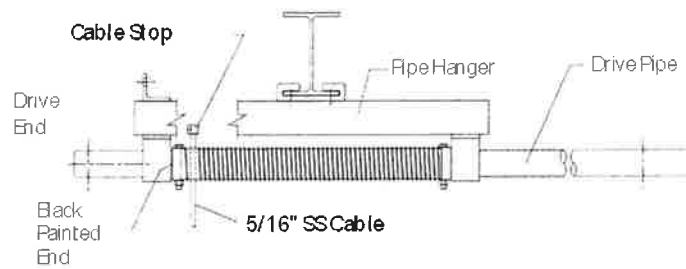


Cable Stop Attachment

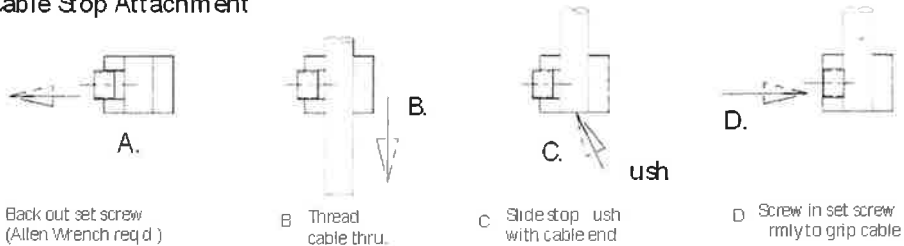


Cable Installation - Two Motor Lifts

- 🔧 Turn the drive pipe to allow access to the single cable holes drilled through the winder and drive pipe.
- 🔧 Make sure the black painted end of the cable winder is pointed towards the motor before proceeding with cable installation.
- 🔧 Insert one lift cable completely through the winder assembly and attach the provided cable stop on the end of the cable. Tighten the cable stop set screw and pull the stop back to the cable winder.
- 🔧 Upon operating the lift, the cables will run away from the motor.

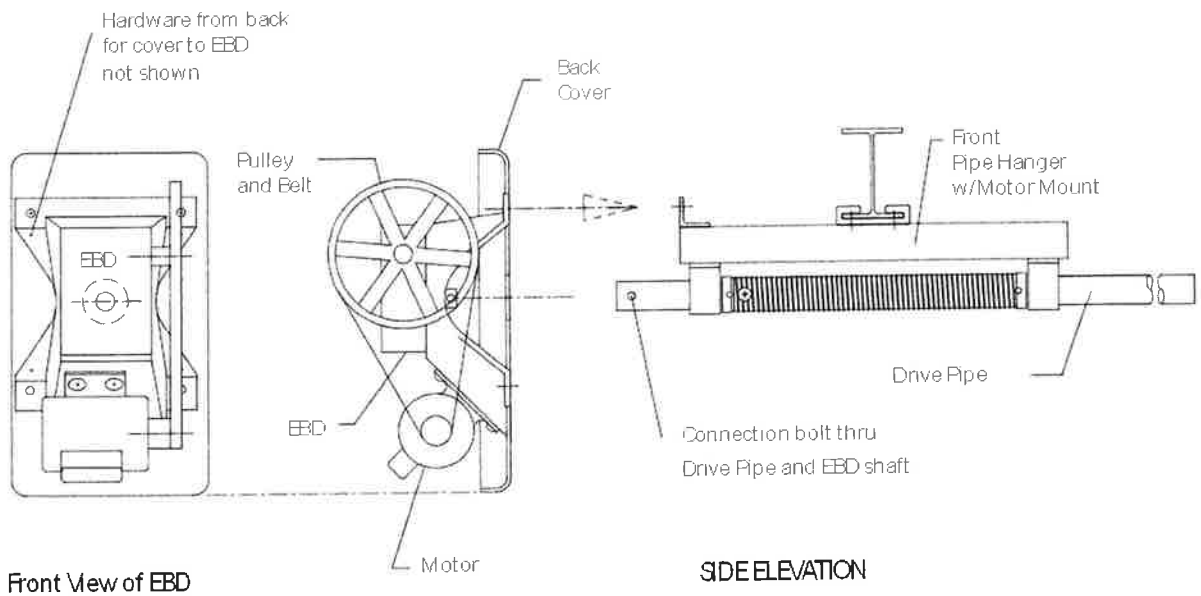


Cable Stop Attachment



Drive Mounting

- 1 Mount the motor to the bottom of the EBD using the 5/16" x 1 1/2" bolts provided.
- 2 Remove the EBD from the box and mount the back plastic cover (cover optional) with the four bolts provided.
- 3 Mount the drive pulleys and belt, then tighten the motor mounting bolts.
- 4 Install the drive unit on the front pipe hanger with the bolts provided.
- 5 Install connection bolt through the drive pipe and output shaft of the EBD.
- 6 Once mounted, tighten all bolts.
- 7 Assemble front cover with the provided hinge bolts.



Wiring Motors

- 1 The wiring diagram for the motor is provided in the parts box. The wiring depends upon the motor and switch/remote ordered with the lift.

Completion of the Installation

- 🔧 Do a final check of the top beam's positions and recheck to make sure the beams are square.
- 🔧 Secure the top beams to the band boards.
- 🔧 Recheck all bolts and set-screws for tightness.
- 🔧 With the motors mounted and wired, check the operation of the lift to see that each motor is operating correctly.
- 🔧 If there is a problem with any motor, double check the wiring and source electricity to make sure there is adequate voltage to operate both motors.
- 🔧 Position the center of gravity of the boat in-between the four cables to insure equal load on each lift cable.
- 🔧 Slowly lift the boat until the top of the wood bunks break the water.
- 🔧 Check to see that the boat is sitting properly on the bunks and is not in contact with any through-hull fittings, transducers, scuppers or obstacles.
- 🔧 Adjust the bunks accordingly making sure the keel of the boat does not come in contact with the bottom lifter beam.
- 🔧 Insert galvanized weight pipe and slide on PVC guide poles of the **optional** guide pole system.
- 🔧 Adjust optional guide poles to fit the boat.
- 🔧 Install front covers (optional) onto the EBD.

Safety

- 🔧 Do not allow untrained persons to operate the lift.
- 🔧 Do not allow children near the lift during operation.
- 🔧 Keep all body parts away from moving parts while the lift is in operation.
- 🔧 Keep all clothing and loose equipment away from moving parts while the lift is in operation.
- 🔧 Boat lifts are not designed for lifting human beings. No one should be in the boat while the lift is operating.
- 🔧 Do not move or work under the lifted boat.
- 🔧 Do not leave the boat lift unattended while the lift is operating.
- 🔧 Allow lift motors to come to a complete stop before reversing motor/lift direction.
- 🔧 Do not operate the lift if electrical components are damaged, exposed, or partially connected.
- 🔧 Do not operate the lift if there is any sign of an electrical problem. Contact your authorized Ace dealer immediately.
- 🔧 Check the lift cables frequently (see maintenance section). Replace cables if they have broken strands, kinks, or show wear, tear and corrosion. Cables are the working part of the lift and should be replaced on a regular basis - depending upon use.
- 🔧 Follow all maintenance instructions.

General Operating Instructions

Position the bunks and guide pole system appropriately. The boat should be positioned to properly distribute the total weight evenly between the four cable sets.

Raising the Boat:

- 🔊 Make sure that the power supply to the boat lift is turned on.
- 🔊 Check to see that the cradle and bunk assembly are low enough to allow the boat to float over the assembly. Do not power the boat onto the lift. This will cause damage to the bunks, cables and lift structure.
- 🔊 Turn the switches to the "up" position to raise the cradle. Once the bunks make contact with the hull of the boat, turn the switches to the off position and check to make sure that:
 - 🔊 the boat weight is properly distributed on the lift:
 - 🔊 the bunks are properly contacting the hull - the bunks should not be sitting on hull chines, through hull fittings, transducers or scuppers.
 - 🔊 make sure the boat is sitting level (port to starboard) in the bunks.
- 🔊 When the above checks are complete turn the switches to the "up" position and raise the boat to the desired height. Caution: lifter beams cannot be raised any higher than a point 2' below the top beams, or to a point that the grooved cable winder is full.
- 🔊 Turn the lift power off.

Lowering the Boat:

- 🔊 Make sure that the power supply to the boat lift is turned on.
- 🔊 Position the switches to the "down" position.
- 🔊 Allow the cradle assembly to submerge to a point where the boat is floating freely and will move off the lift without coming into contact with the cradle assembly. Caution: Do not allow the lifter beams to hit the bottom or remove cable tension. Doing so will allow the cables to backlash and tangle, causing damage to the cables.
- 🔊 Carefully back the boat out and clear of the boat lift.
- 🔊 It is recommended that the cradle then be raised to a point above the water when boating for an extended period of time.
- 🔊 Turn the power to the lift off.

LUNMAR BOAT LIFTS

3715 Highway 27 South Sulphur, LA 70665
(337) 558-7200 Fax (337) 558-7202

LIMITED WARRANTY

Lunmar lifts are warranted to the original purchaser for a period of one year from the date of installation against defects in the material or workmanship as to the lifts electrical components and cables, and for two years against any structural defects, and five years on the gearbox. The word "defects", as used in this warranty, is defined as imperfections which impair the utility of the product.

This warranty is expressly limited to the replacement of lift components having defects. If the lift component is defective within the terms of the warranty, Lunmar, Inc. will furnish a replacement part component at no cost. Lunmar, Inc. is not responsible for any labor or freight costs.

This warranty applies under conditions of normal use, but does not apply to defects that result from intentional damage, improper installation, negligence, unreasonable use or exposure, corrosion or act of nature. Warranty does not apply to padding on lift.

In order to obtain service or to make a warranty claim, the consumer should mail or email a picture (in .jpg format) of the installed boat lift and provide the following information to Lunmar Boat Lifts at 3715 Highway 27 South, Sulphur, LA 70665

1. State your name, address and telephone number
2. State the make and model of your product.
3. State the date your product was installed.
4. State the date you purchased your product and from whom it was purchased. Please provide a proof of purchase.
5. State in clear and concise terms the actual defect that is the basis for your warranty claim.

LUNMAR
BOAT LIFTS

**3715 Highway 27 South
Sulphur, LA 70665
(337) 558-7200 (337) 558-7201
Toll Free (800) 965-8544
Fax (337) 558-7202**