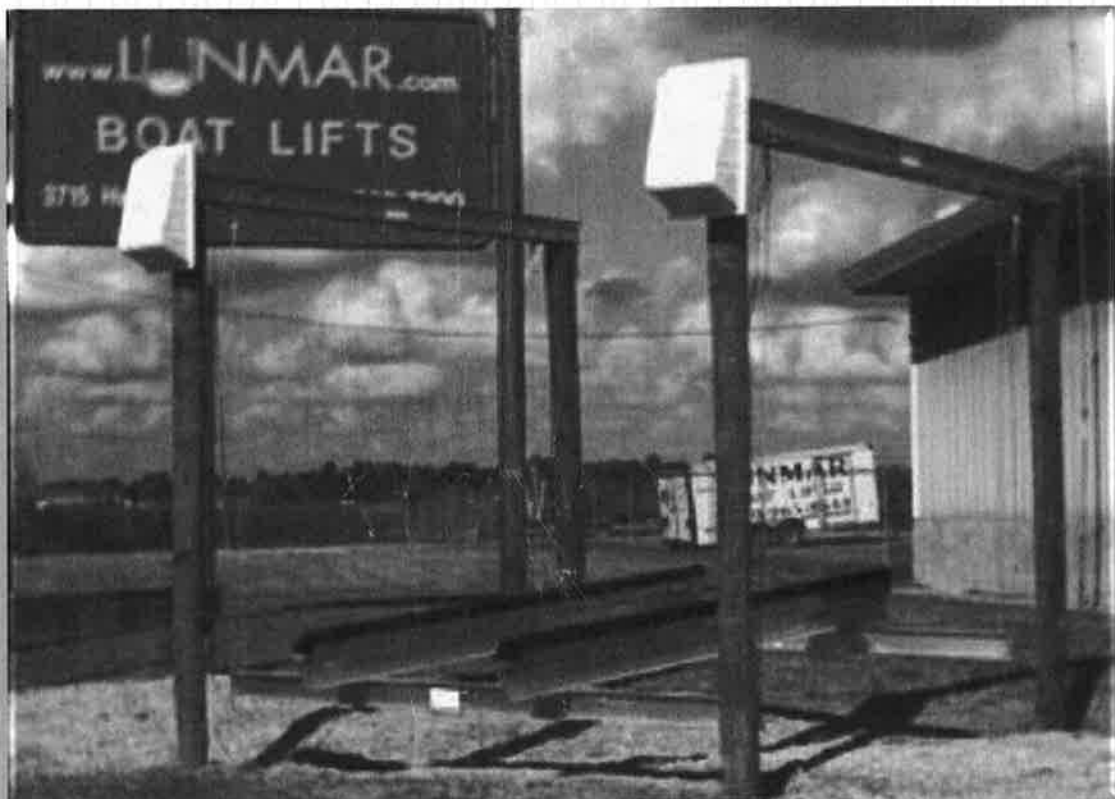


LUNMAR BOAT LIFTS ALUMINUM PILING MOUNT INSTALLATION GUIDE

6000# Cradle Kit
10,000# Cradle Kit

8000# Cradle Kit
15,000# Cradle Kit



READ ALL INSTRUCTIONS BEFORE STARTING

FOLLOW THESE STEPS IN ORDER TO SAVE TIME

- SET THE TOP BEAMS ON TOP OF THE PILINGS, SO THE BEAMS RUN PARALELL TO THE BOAT.
- FLUSH THE END WITH 5" CHANNEL MOUNT UP AGAINST END OF PILING. MARK HOLE & DRILL 3/8 PILOT HOLE & BOLT UP.
- INSTALL THE 108 PILING MOUNT WITH ½ x 4 LAG BOLTS, SO THE TAB HOLDS THE LIP OF CHANNEL DOWN TO TOP OF PILING WITH ONE ON EACH SIDE OF TOP BEAM ON THE OPPOSITE PILING.
- INSTALL MOTOR ON GEARPLATE AND TIGHTEN BELT. INSTALL COVER HARDWARE ON LOWER MOTOR BOLTS.
- SLIDE 2" PIPE BUSHINGS ONTO PIPE THEN SLIDE GEARBOX ASSEMBLY ON BOLT GEARBOX ASSEMBLE WITH 2 – ½" STAINLESS BOLTS AND COVER HARDWARE WASHER
- USING THE MOUNTING HOLE IN GEARBOX AS A GUIDE, DRILL A ½ HOLE THROUGH 2" PVC BUSHING AND DRIVE PIPE.
- BOLT UP THE GEARBOX W/ SUPPLIED BOLTS & LOCK NUTS. DO NOT OVER TIGHTEN.
- DRILL 5/8 HOLE AND INSTALL CABLE WINDER BOLT IN ONE END OF CABLE WINDER.
- RUN TH 5/16 CABLE THROUGH HOLE IN WINDER BOLT AND TIGHTEN.
- ATTACH CABLE TO THE END TOP BOLT ON EACH OF THE CRADLE BEAMS.
- RUN GEARBOXES SO CABLES WIND UP IN THE GROOVES OF THE CABLE WINDERS AND LEVEL AS NEEDED.
- INSTALL OPTIONAL ALUMINUM BUNKS. LEAVE EQUAL DISTANCE HANGING OVER EACH END OF CRADLE BEAM.
- MOST "V" BOTTOM BOATS, THE CHOCK BRACKETS ARE INSTALLED ABOUT 50" APART AT THE STERN AND 46" APART AT BOW WITH THEM LEANING IN AT 10 TO 15 DEGREE ANGLE.
- INSTALL GUIDE POST BRACKETS, USING THE TABS TO CLAMP THE TOP FLANGE OR CRADLE BEAM.
- SLIDE 2" x 6' PVC PIPE (NOT SUPPLIED) OVER GUIDE POST.
- GREASE THE 3 LOCATIONS LABLED ON EACH GEARBOX AND THE 8 BEARING BLOCKS ON DRIVE PIPE.
- INSTALL MOTOR COVERS
- PLUG THE CORDS INTO 125 VOLT 15 AMP OUTLETS. DO NOT PLUG BOTH CORDS INTO SAME RECEPTICLE. MOTORS DRAW 13 AMPS EACH.
- AFTER 2 HOURS OF USE, RETIGHTEN BELT, GREASE GEARBOX AND BEARINGS AND RETIGHTEN ALLEN SCREWS OF BELT PULLEYS AND ALL BOLTS ON LIFT. REPEAT THE PROCEDURE EVERY 3 MONTHS.

LUNMAR ALUMINUM PILING MOUNT KITS PARTS LIST

6000# Capacity

- O(2) 12'6" Aluminum Top Beams with (4) Bearing Blocks, 1 1/2" Drive Pipe, Gearbox Mount, Piling Mount Bracket, Cable Winders, and Winder Bolts
- | | |
|---|---|
| O(2) 12'6" Aluminum Cradle Beams | O(8) 834 Aluminum Chock Brackets |
| O(4) 5/16" x 15' Stainless Steel Cables with Eyes | O(8) 1/2" x 5 1/2" Bolts/Nuts/Locks/Flats |
| O(2) AMS 4000 (Motor/Gearplate/Switch/GFI) | O(8) 1/2" x 12" Bolts/Nuts/Locks/Flats |
| O(2) White Covers with Hardware | O(8) 1/2" x 4" Bolts/Nuts/Locks/Flats |
| O(4) Guide Post Brackets with (8) Tabs | O(12) 1/2" x 2" Bolts/Nuts/Locks/Flats |
| O(2) 2" Bushings | O(2) 12' Aluminum Bunks with Rubber Pads |
-
-

8000# Capacity

- O(2) 12'6" Aluminum Top Beams with (4) Bearing Blocks, 1 1/2" Drive Pipe, Gearbox Mount, Piling Mount Bracket, Cable Winders, and Winder Bolts
- | | |
|---|---|
| O(2) 12'6" Aluminum Cradle Beams | O(8) 834 Aluminum Chock Brackets |
| O(4) 5/16" x 30' Stainless Steel Cables with Eyes | O(8) 1/2" x 5 1/2" Bolts/Nuts/Locks/Flats |
| O(2) AMS 3000 (Motor/Gearplate/Switch/GFI) | O(8) 1/2" x 12" Bolts/Nuts/Locks/Flats |
| O(2) White Covers with Hardware | O(8) 1/2" x 4" Bolts/Nuts/Locks/Flats |
| O(4) Guide Post Brackets with (8) Tabs | O(12) 1/2" x 2" Bolts/Nuts/Locks/Flats |
| O(2) 2" Bushings | O(2) 12' Aluminum Bunks with Rubber Pads |
-
-

10,000# Capacity

- O(2) 12'6" Aluminum Top Beams with (4) Bearing Blocks, 1 1/2" Drive Pipe, Gearbox Mount, Piling Mount Bracket, Cable Winders, and Winder Bolts
- | | |
|---|---|
| O(2) 12'6" Aluminum Cradle Beams | O(8) 834 Aluminum Chock Brackets |
| O(4) 5/16" x 30' Stainless Steel Cables with Eyes | O(8) 1/2" x 5 1/2" Bolts/Nuts/Locks/Flats |
| O(2) AMS 3000 (Motor/Gearplate/Switch/GFI) | O(8) 1/2" x 12" Bolts/Nuts/Locks/Flats |
| O(2) White Covers with Hardware | O(8) 1/2" x 4" Bolts/Nuts/Locks/Flats |
| O(4) Guide Post Brackets with (8) Tabs | O(12) 1/2" x 2" Bolts/Nuts/Locks/Flats |
| O(2) 2" Bushings | O(2) 12' Aluminum Bunks with Rubber Pads |
-
-

15,000# Capacity

- O(2) 12'6" Aluminum Top Beams with (4) Bearing Blocks, 1 1/2" Schedule 80 Drive Pipe, Gearbox Mount, Piling Mount Bracket, Cable Winders, and Winder Bolts
- | | |
|---|---|
| O(2) 12'6" Aluminum Cradle Beams | O(8) 834 Aluminum Chock Brackets |
| O(4) 5/16" x 30' Stainless Steel Cables with Eyes | O(8) 1/2" x 6 1/2" Bolts/Nuts/Locks/Flats |
| O(2) AMS 6500 (Motor/Gearplate/Switch/GFI) | O(8) 1/2" x 12" Bolts/Nuts/Locks/Flats |
| O(2) White Covers with Hardware | O(8) 1/2" x 4" Bolts/Nuts/Locks/Flats |
| O(4) Guide Post Brackets with (8) Tabs | O(12) 1/2" x 2" Bolts/Nuts/Locks/Flats |
| O(2) 2" Bushings | O(2) 12' Aluminum Bunks with Rubber Pads |
-
-

20,000# Capacity

- O(2) 15' Aluminum Top Beams with (4) Bearing Blocks, 1 1/2" Schedule 80 Drive Pipe, Gearbox Mount, Piling Mount Bracket, Cable Winders, and Winder Bolts
- | | |
|---|---|
| O(2) 12'6" Aluminum Cradle Beams | O(8) 834 Aluminum Chock Brackets |
| O(4) 5/16" x 30' Stainless Steel Cables with Eyes | O(8) 1/2" x 6 1/2" Bolts/Nuts/Locks/Flats |
| O(2) AMS 6500 (Motor/Gearplate/Switch/GFI) | O(8) 1/2" x 12" Bolts/Nuts/Locks/Flats |
| O(2) White Covers with Hardware | O(12) 1/2" x 4" Bolts/Nuts/Locks/Flats |
| O(4) Guide Post Brackets with (8) Tabs | O(12) 1/2" x 2" Bolts/Nuts/Locks/Flats |
| O(2) 2" Bushings | O(2) 12' Aluminum Bunks with Rubber Pads |

➤ **CHECK BOXES FOR ALL PARTS BEFORE FREIGHT COMPANY LEAVES!**

➤ **THIS KIT IS A BOAT LIFT AND IS INTENDED TO BE USED AS ONLY A BOAT LIFT. DO NOT USE THIS LIFT TO PICK UP HUMANS.**

➤ **DO NOT WORK UNDER A HANGING BOAT!**

➤ **ALL ELECTRICAL MODIFICATIONS MUST BE DONE BY A CERTIFIED ELECTRICIAN!**

➤ **DO NOT REMOVE GFCI'S!**

➤ **DISCONNECT POWER WHEN LIFT IS NOT BEING USED!**

➤ **DO NOT EXCEED CAPACITY OF LIFT. WINCHES WILL LIFT MORE WEIGHT THAN BEAMS ARE RATED FOR!**

PILING INFO:

- Pilings Must be 8" Minimum, Driven to Refusal
- Trim Pilings so that they are all the Same Height (Usually 7' Above the Dock)
- Standard Piling Spacing is 12'6" from Center of Piling to Center of Piling on Width and 12'6" from Outside Edge of Piling to Outside Edge of Piling on Front to Back

- We Recommend Installing Scaffolding Across the Slip so you can Easily Reach the Top of all four Pilings.

TROUBLESHOOTING:

Lift will Not Pick up Boat

- 1) Boat weighs more than lift capacity
- 2) Low voltage
- 3) Belt slipping
- 4) Gearplate or pipe binding due to improper alignment

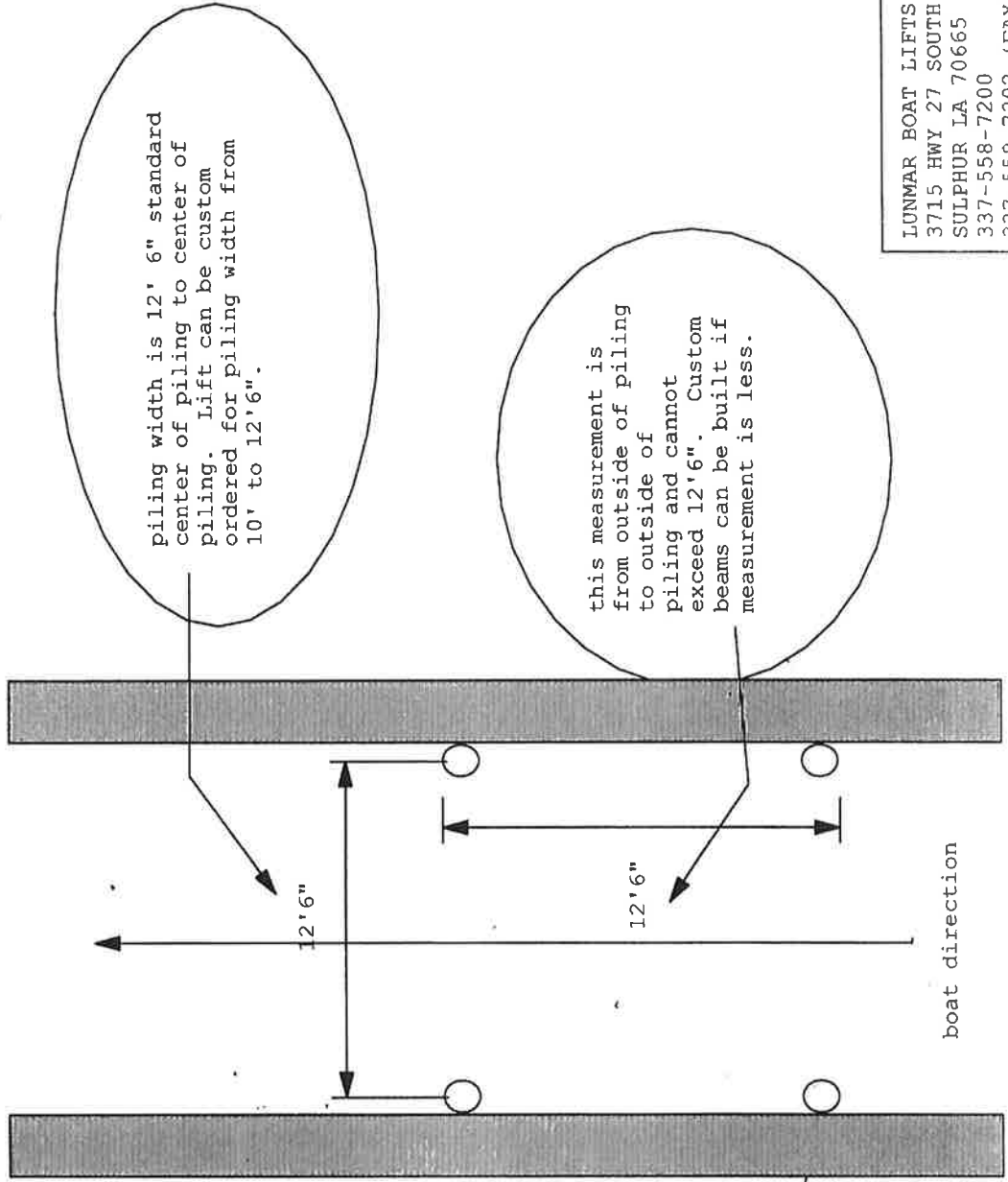
Lift Making Excessive Noise

- 1) Needs to be greased
- 2) Pipe or gearbox out of alignment

PILING LAYOUT FOR LUNMAR 6000#, 8000#,

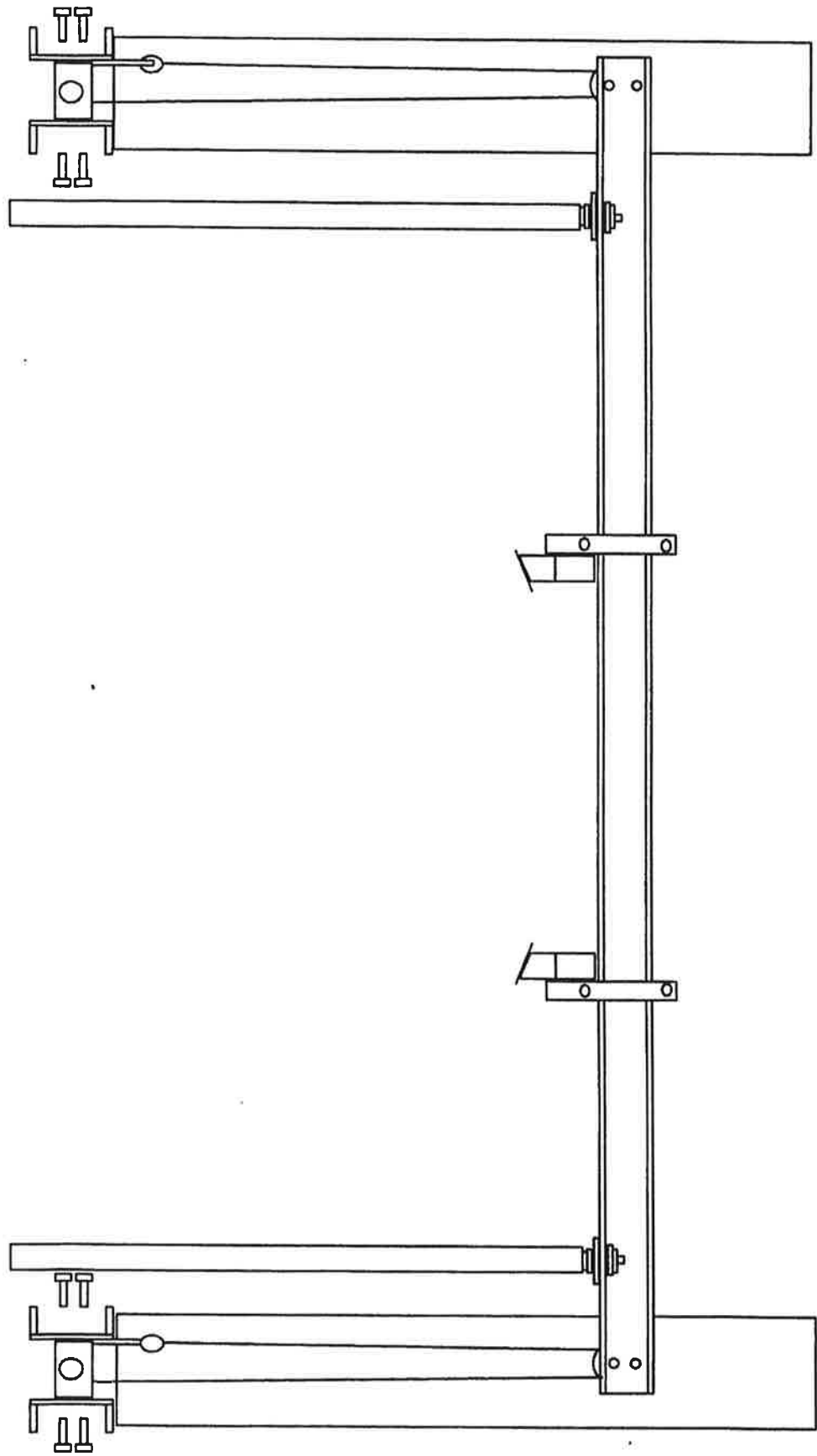
10,000# AND 15,000#

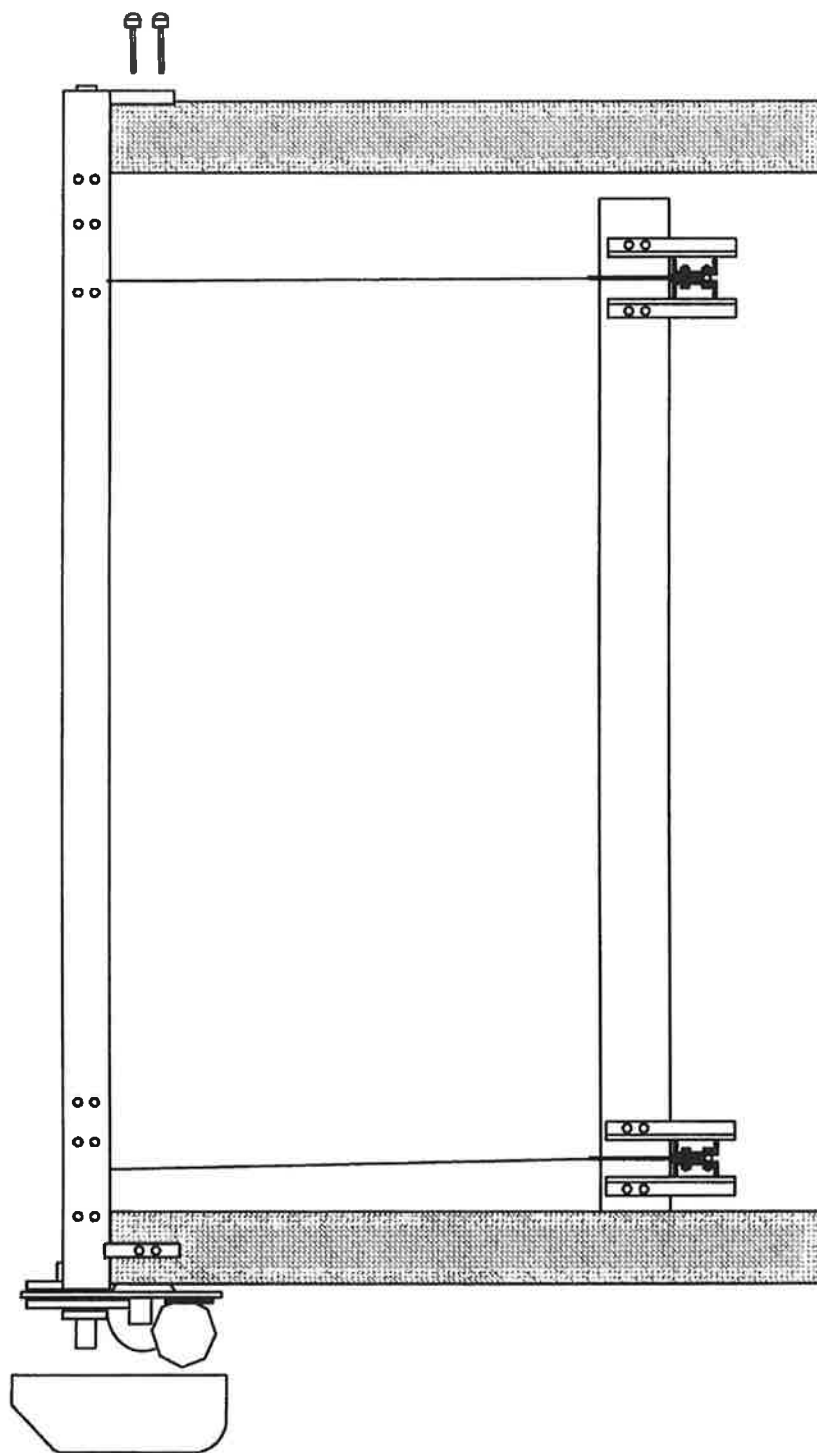
ALUMINUM PILING MOUNT LIFTS



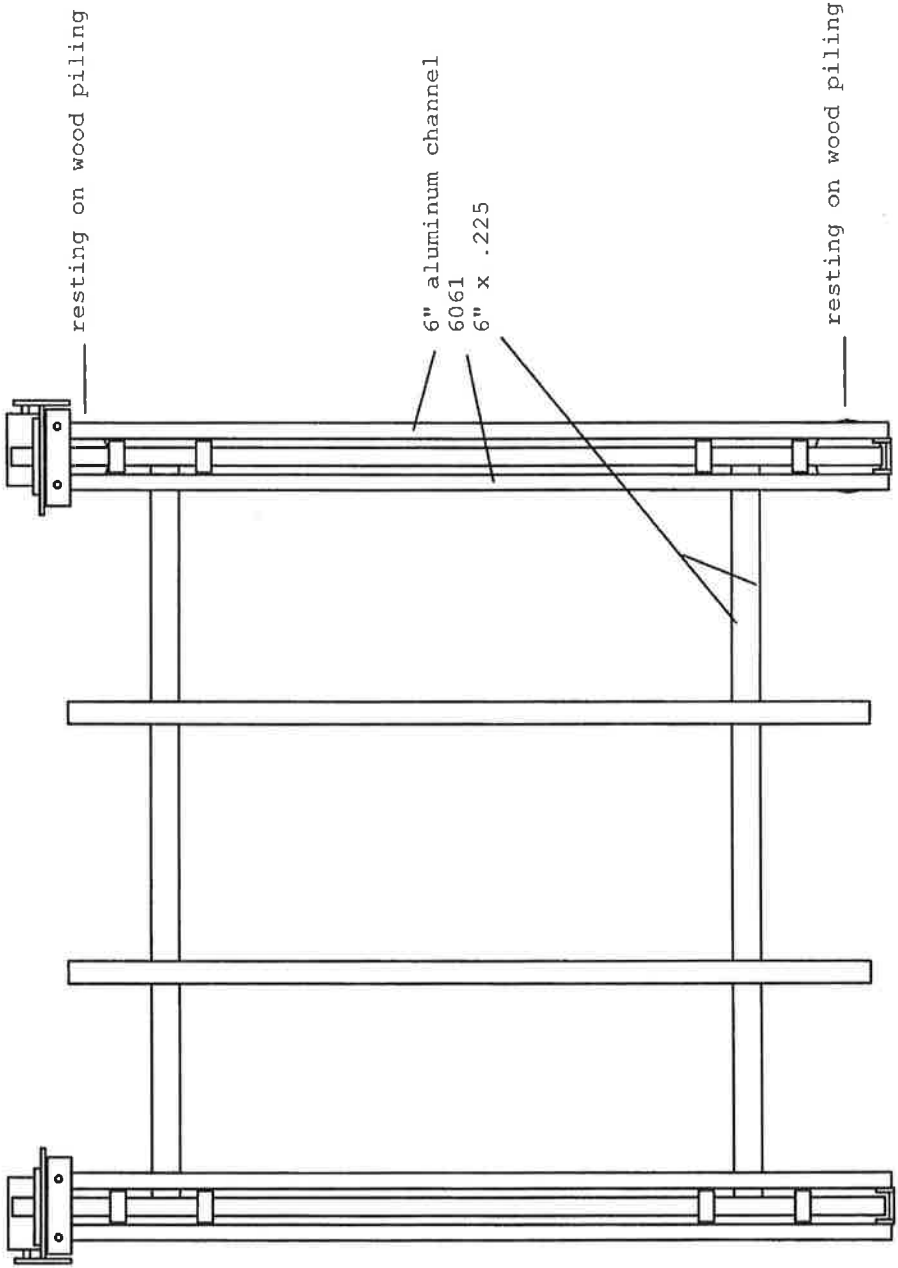
9" pilings driven to refusal. Leave piling 7' above dock (recommended)

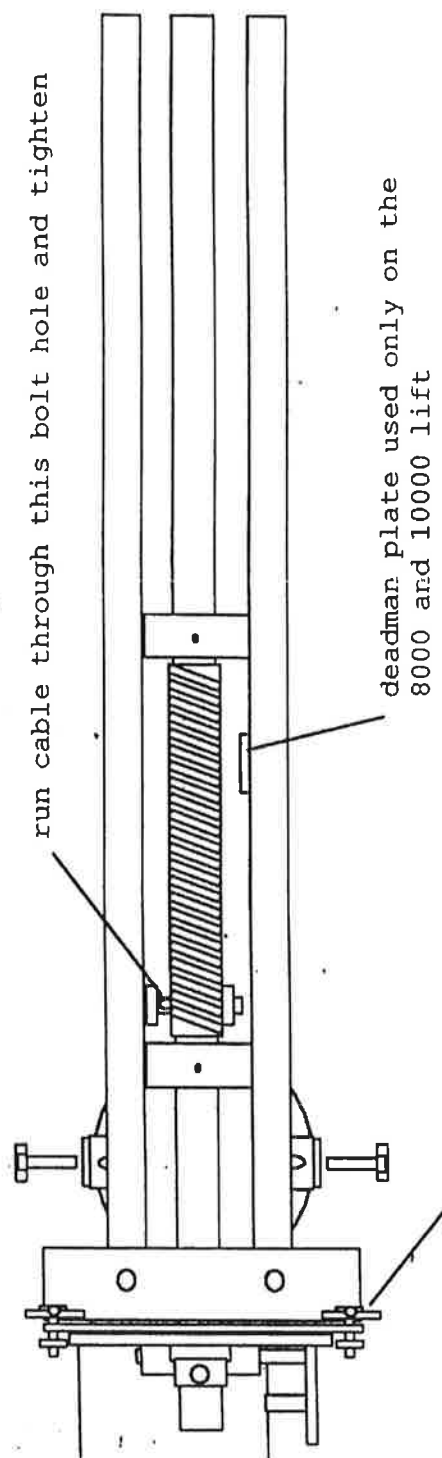
LUNMAR BOAT LIFTS
3715 HWY 27 SOUTH
SULPHUR LA 70665
337-558-7200
337-558-7202 (FAX)





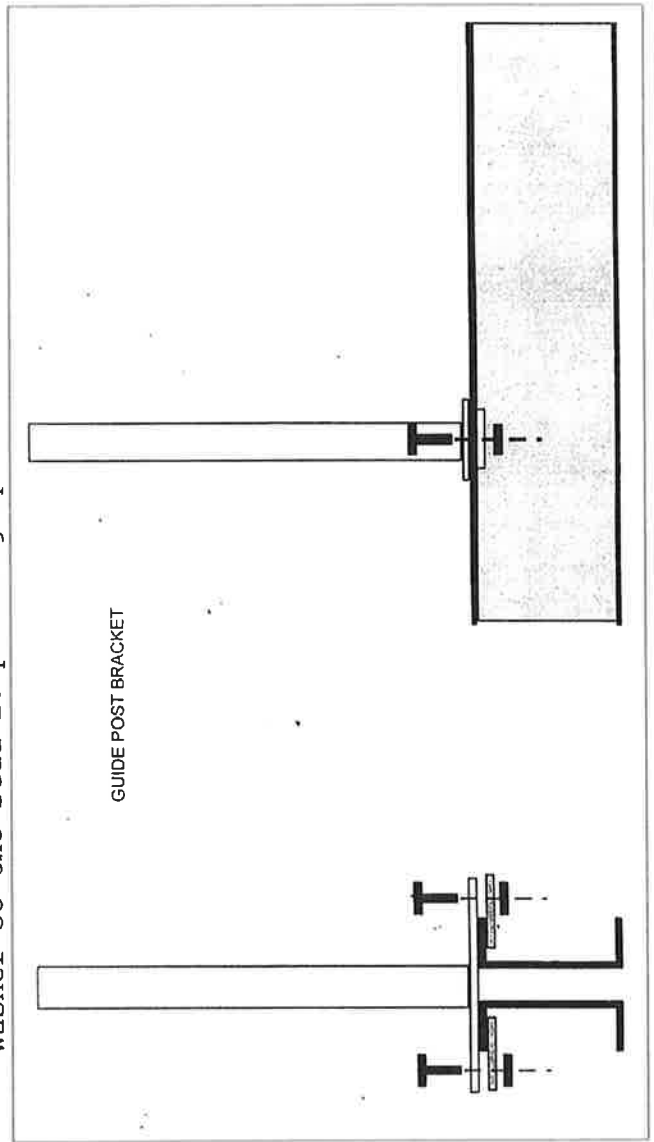
LUNMAR BOAT LIFTS
3715 HWY 27 SOUTH
SULPHUR LA 70665
337-558-7200
337-558-7202 (FAX)



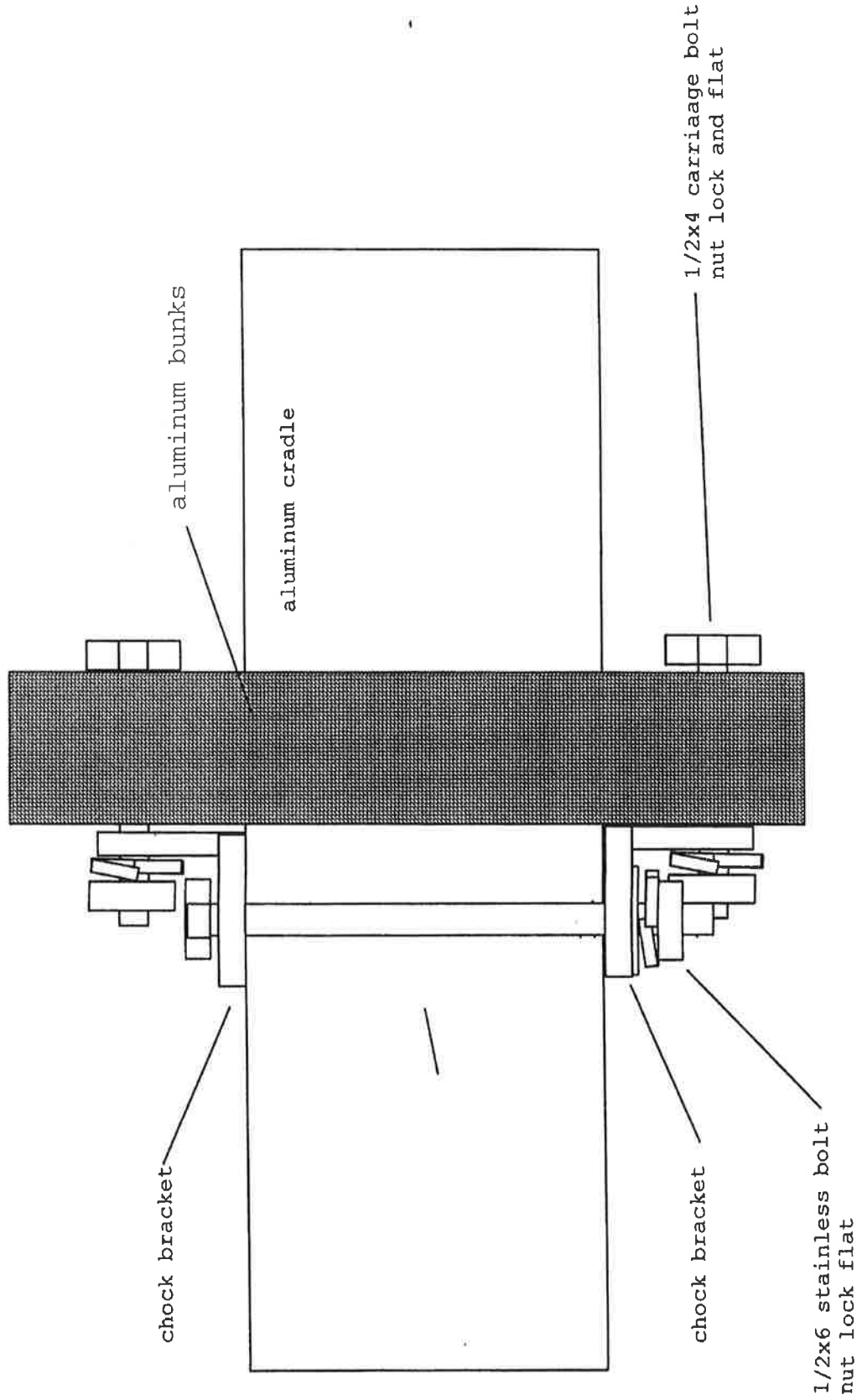


Bolt gearbox to beam with supplied bolts. Install cover hardware washer so the stud is pointing up

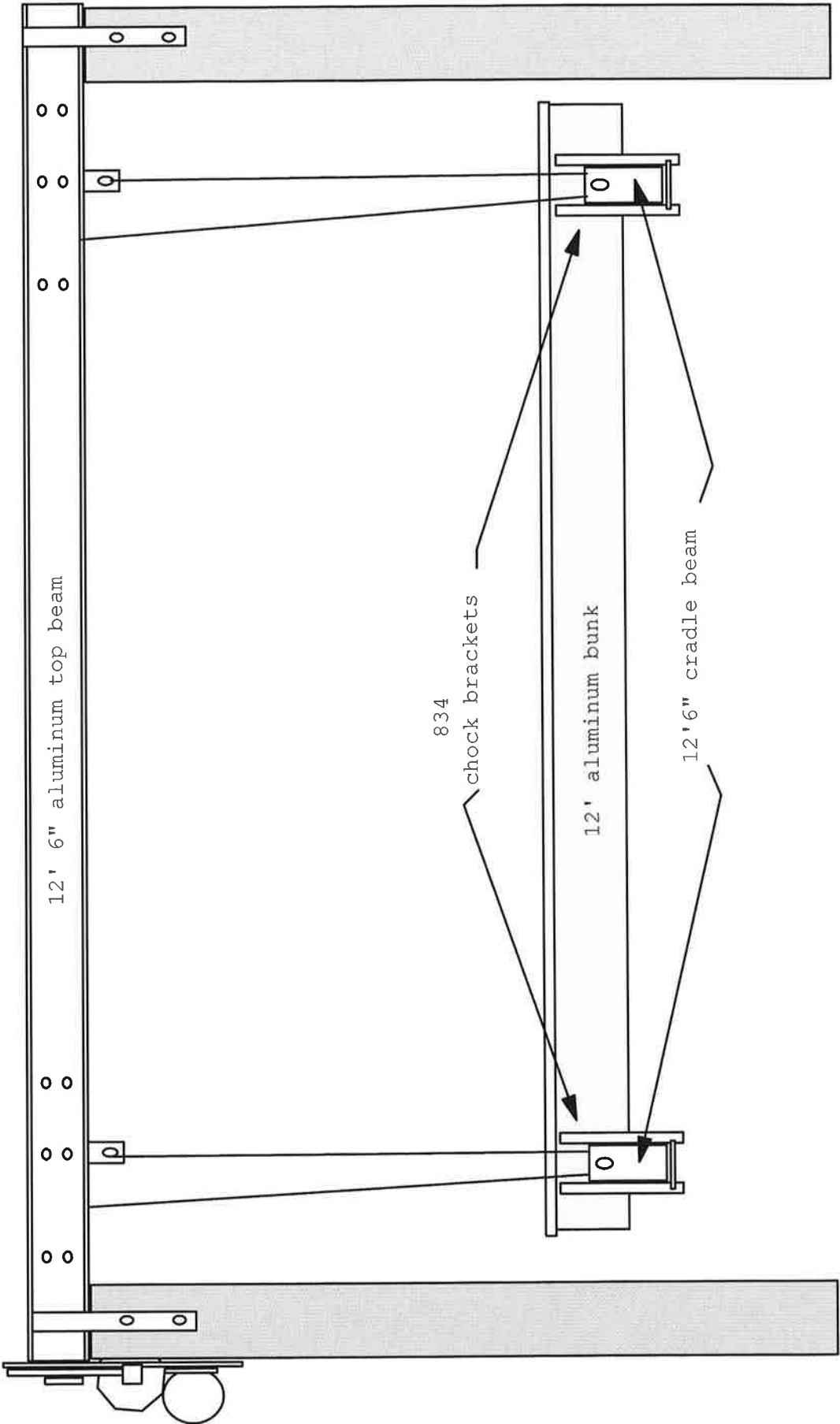
LUNMAR BOAT LIFTS
 3715 HWY 27 SOUTH
 SULPHUR LA 70665
 337-558-7200
 337-558-7202 (FAX)



LUNMAR BOAT LIFTS
3 HWY 27 SOUTH
SUZEPHUR LA 70665
337-558-7200
337-558-7202 (FAX)

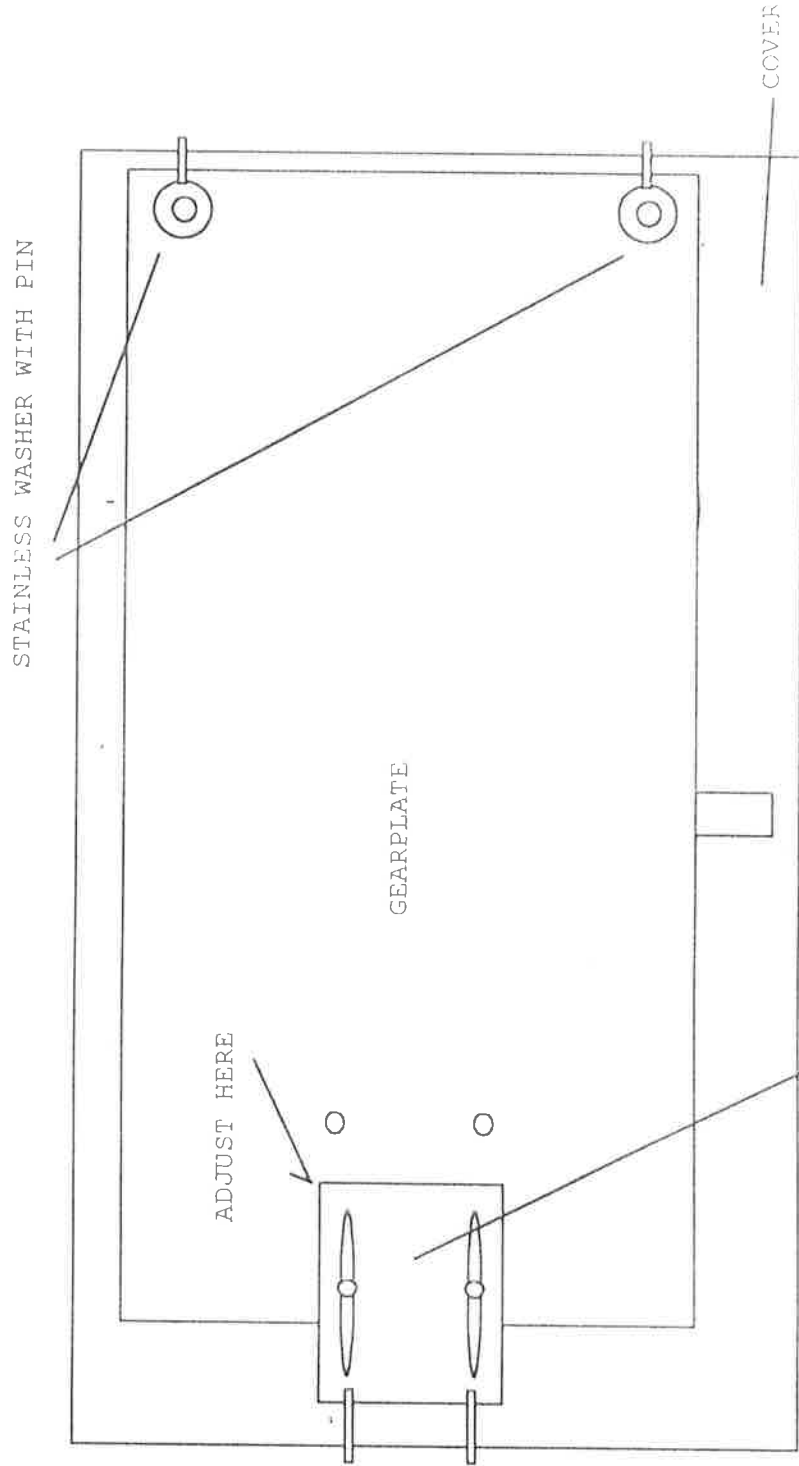


Lunmar aluminum piling mount lift



**LUNMAR BOAT LIFTS
LAKE CHARLES, LA
337-558-7200**

INSTRUCTIONS ON ATTACHING COVER
COVER IS HELD ON BY 4 PINS AS SHOWN BELOW
YOU MAY HAVE TO BEND PINS IN OR OUT TO GET THE BEST FIT



STAINLESS SLIDE PLATE WITH TWO PINS ATTACHES TO BOTTOM
BOLTS THAT HOLD MOTOR IN PLACE