

LUNMAR BOAT LIFTS LOW PROFILE PILING MOUNT INSTALLATION GUIDE



4200# CRADLE KIT

5600# CRADLE KIT

7000# CRADLE KIT



READ ALL INSTRUCTIONS BEFORE STARTING



THE LOW PROFILE PILING MOUNT LIFTS ARE DESIGNED FOR BOATS THAT WEIGH LESS THAN 4200#, 5600#, OR 7000# FULL OF FUEL AND GEAR. THE LUNMAR LOW PROFILE PILING MOUNT LIFT ATTACHES DIRECTLY TO 4 PILINGS AND REQUIRES NO OVERHEAD STRUCTURAL BEAMS. THE PILINGS WILL SUPPORT THE ENTIRE LOAD, THEREFORE, WE RECOMMEND THIS BE INSTALLED PROFESIONALLY. "THE PILINGS MUST BE DRIVEN TO REFUSAL." STANDARD INSTALLATION REQUIRES FOUR 8" BUTT PILINGS DRIVEN 12'6" APART FROM INSIDE OF PILING TO INSIDE OF PILING ON WIDTH AND DOCK SIDE PILING SHOULD BE 11' APART WHEN USING 10' CRADLE BEAMS.

THE MOST IMPORTANT STEP IN THE INSTALLATION OF THE LOW PROFILE PILING MOUNT LIFT IS THAT THE 4 PILING MOUNT BRACKETS ARE LEVEL, PLUMB, AND SQUARE. FOLLOW THE STEPS EXACTLY AND IT WILL SIMPLIFY THE PROCESS.



FOLLOW THESE STEPS IN ORDER TO SAVE TIME



- 1) NAIL THE 2X6X14 SCAFFOLD BOARDS, ON THE SIDE OF THE PILING THAT THE PILING MOUNTS WILL BE MOUNTED TO, RUNNING PARALLEL WITH THE BOAT. MAKE SURE THAT THE BOARD IS LEVEL AT A HEIGHT OF 6" BELOW THE DOCK. (THE 6" MEASUREMENT CAN BE RAISED OR LOWERED TO GAIN OR REDUCE LIFTING HEIGHT.)
- 2) THE PILING MOUNTS HAVE A TOTAL OF 2 HOLES, THESE ARE THE MOUNTS THAT WILL HOLD THE STRAP BEARING ONLY. THE OTHER SET OF PILING MOUNTS HAVE A TOTAL OF 4 HOLES, THESE WILL HOLD THE STRAP BEARING AND THE GEARPLATE. THE PILING MOUNTS THAT HOLD THE GEARPLATE WILL BE LEFT AND RIGHT HAND CONFIGURED. THE 2 HOLES IN THE FLANGE OF THE CHANNEL DETERMINE THIS. USUALLY THE GEARBOXES FACE THE SHORE, THEREFORE, MAKE SURE THAT WHEN THE PILING MOUNTS ARE INSTALLED THE HOLES IN THE FLANGE FACE THE SHORE.
- 3) SET THE FIRST PILING MOUNT IN PLACE RESTING ON THE 2X6 SCAFFOLD BOARD. MAKE SURE THE PILING MOUNT FACE IS SQUARE WITH THE SCAFFOLD BOARD AND LEVEL. MARK HOLES. REMOVE PILING MOUNT AND REPEAT STEP AT EACH PILING.
- 4) SLIDE THE 1/2" x 6" BOLTS INTO THE HOLE ON THE FLANGE OF THE PILING MOUNT SO THAT THE THREADED END IS FACING THE SHORE. HAND TIGHTEN A NUT ON THE BOLT SO IT WILL NOT FALL OUT.
- 5) WITH THE 5/8" x 14" BOLTS, MOUNT THE PILING MOUNTS TO THE PILING. TIGHTEN THE BOLTS. IF THE PILING MOUNT IS NOT LEVEL WITH THE BOLTS, TIGHTEN THE LOOSE BOLTS AND INSERT A WOOD BLOCK BETWEEN THE PILING AND THE PILING MOUNT. SLIDE UP AND DOWN TO TOE THE PILING MOUNT IN AND OUT UNTIL LEVEL. REPEAT ON THE OTHER 3 PILINGS.
- 6) MOUNT THE 102 TO THE ANGLE BRACKETS. SLIDE 2" DRIVE PIPE INTO PLACE AND LEAVE AT LEAST 10" OUT FROM 102 ON GEARBOX END. CHECK THAT THE PIPE TURNS FREELY IN THE STRAP BEARINGS. IF IT BINDS, YOU CAN SHIM THE 102 AND ANGLE BRACKET WITH 1/2 WASHERS TO ALIGN.
- 7) INSTALL THE MOTORS ON THE GEARPLATES AND TIGHTEN BELT. SLIDE UNIT ON END OF DRIVE PIPE WITH THE MOTOR SIDE TOWARDS SHORE.
- 8) INSTALL THE TORQUE PIPE OVER THE BOLT BETWEEN THE PILING MOUNT AND THE GEARPLATE. DRILL A HOLE IN THE PIPE AND RUN THE CABLE. USE THE SHACKLE TO ATTACH THE CRADLE BEAM. INSTALL THE GEARBOX, AND BOLT TO PIPE.
- 9) TURN ONE WINCH ON AT A TIME AND WIND THE CABLE IN THE PIPE. GREASE THE GEARBOXES AND APPLY GREASE INTO THE GREASE ZERKS. RUN ELECTRICAL WIRES SO THAT THEY DO NOT INTERFERE WITH THE LIFT. INSTALL THE COVERS. PULL THE BOAT INTO THE SLIP WITH THE REAR SLING OR CRADLE BEAM APPROXIMATELY 2 FEET FROM THE TRANSOM. RAISE THE BOAT.

LUNMAR LOW PROFILE PILING MOUNT KITS PARTS LISTS

4200# Capacity

O(2) AMS 3000 (Motor/Gearplate/Switch/GFI)	O(8) 3/8" x 4" Carr Bolts/Nuts/Locks/Flats
O(4) Low Profile Piling Mounts with Pulley	O(8) 5/8" x 14" Bolts/Nuts/Locks/Flats
O(4) 102GS Short Strap Bearings	O(18) 1/2" x 1 1/2" Bolts/Nuts/Locks/Flats
O(4) 5" Torque Pipes	O(8) 1/2" x 4 1/2" Bolts/Nuts/Locks/Flats
O(4) 1/4" x 15' Stainless Cable with Shackle	O(4) 1/2" x 6" Bolts/Nuts/Locks/Flats
O(4) 3/16" Cable Clamp (Cable Stopper)	O(8) 834 Chock Brackets
O(2) White Motor Covers with Hardware	O(2) 5" x 10' Cradle Beams

5600# Capacity

O(2) AMS 4000 (Motor/Gearplate/Switch/GFI)	O(8) 3/8" x 4" Carr Bolts/Nuts/Locks/Flats
O(4) Low Profile Piling Mounts with Pulley	O(8) 5/8" x 14" Bolts/Nuts/Locks/Flats
O(4) 102GS Short Strap Bearings	O(18) 1/2" x 1 1/2" Bolts/Nuts/Locks/Flats
O(4) 5" Torque Pipes	O(8) 1/2" x 4 1/2" Bolts/Nuts/Locks/Flats
O(4) 1/4" x 15' Stainless Cable with Shackle	O(4) 1/2" x 6" Bolts/Nuts/Locks/Flats
O(4) 3/16" Cable Clamp (Cable Stopper)	O(8) 834 Chock Brackets
O(2) White Motor Covers with Hardware	O(2) 5" x 10' Cradle Beams

7000# Capacity

O(2) AMS 4000 (Motor/Gearplate/Switch/GFI)	O(8) 3/8" x 4" Carr Bolts/Nuts/Locks/Flats
O(4) Low Profile Piling Mounts with Pulley	O(8) 5/8" x 14" Bolts/Nuts/Locks/Flats
O(4) 102GS Short Strap Bearings	O(18) 1/2" x 1 1/2" Bolts/Nuts/Locks/Flats
O(4) 5" Torque Pipes	O(8) 1/2" x 5 1/2" Bolts/Nuts/Locks/Flats
O(4) 5/16" x 15' Stainless Cable with Shackle	O(4) 1/2" x 6" Bolts/Nuts/Locks/Flats
O(4) 3/16" Cable Clamp (Cable Stopper)	O(8) 834 Chock Brackets
O(2) White Motor Covers with Hardware	O(2) 6" x 10' Cradle Beams

Additional Parts Required

- O(2) 2" Schedule 40 Galvanized Pipe (15')
- O(2) Bunk Boards (2x10x14 Rough Cut Treated)

➤ **CHECK BOXES FOR ALL PARTS BEFORE FREIGHT COMPANY LEAVES!**

➤ **THIS KIT IS A BOAT LIFT AND IS INTENDED TO BE USED AS ONLY A BOAT LIFT.
DO NOT USE THIS LIFT TO PICK UP HUMANS.**

➤ **DO NOT WORK UNDER A HANGING BOAT!**

➤ **ALL ELECTRICAL MODIFICATIONS MUST BE DONE BY A CERTIFIED ELECTRICIAN!**

Tools Required for Installation:

▪ 1/2" Drill	▪ 5/8" Wood Auger Bit	▪ Circular Saw
▪ 3/4" Wrench	▪ 2" x 6" x 8" Blocks	▪ 2 x 6 x 16 Scaffolding
▪ Adjustable Wrench	▪ Hammer	▪ 2 x 12 x 14 Scaffolding
▪ 7/16" Wrench	▪ 1/2" Wrench	

TROUBLESHOOTING:

Lift will Not Pick up Boat

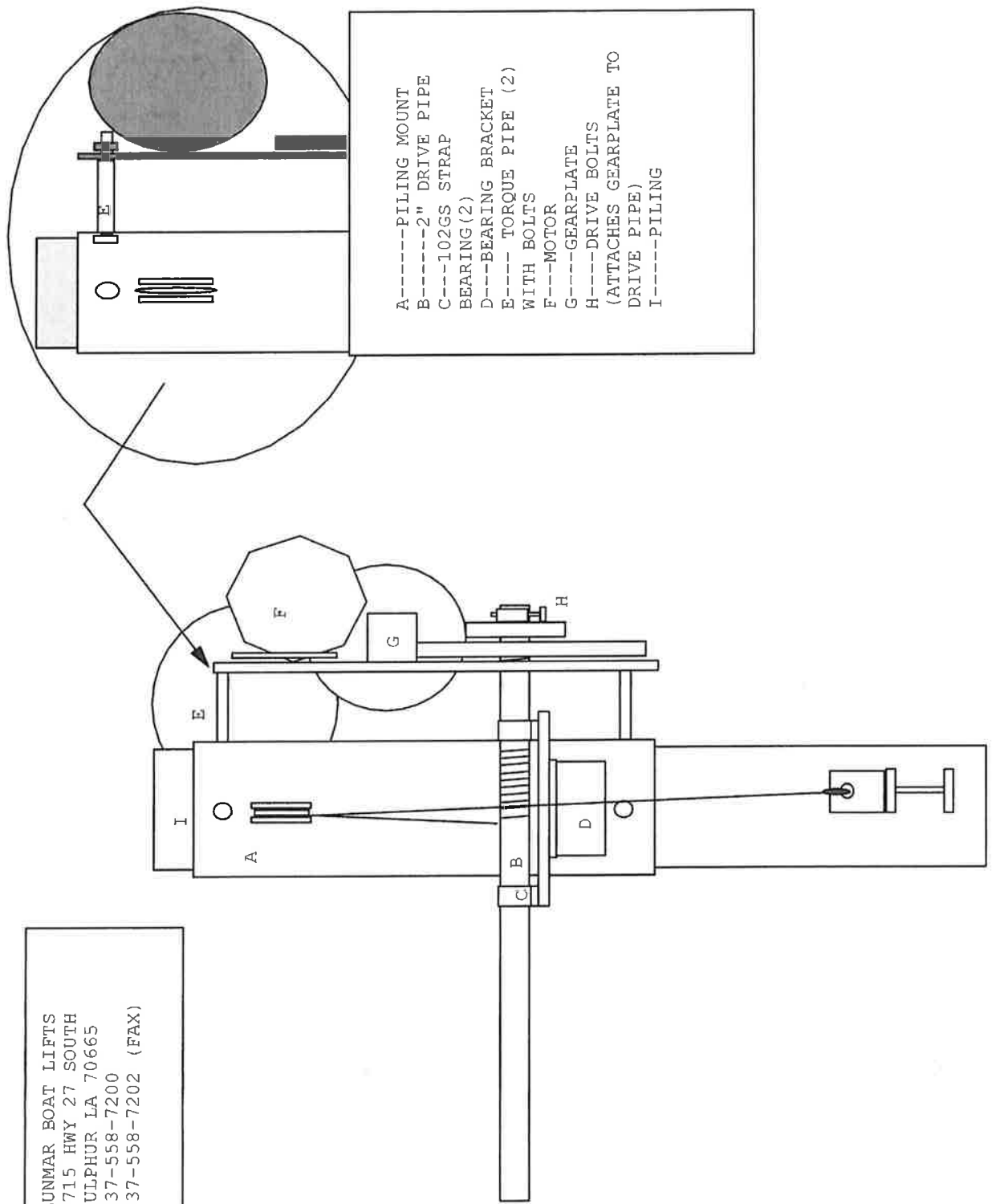
- 1) Boat weighs more than lift capacity
- 2) Low voltage
- 3) Belt slipping
- 4) Gearplate or pipe binding due to improper alignment

Lift Making Excessive Noise

- 1) Needs to be greased
- 2) Pipe or gearbox out of alignment
- 3) Cable rubbing against 102 assemblies

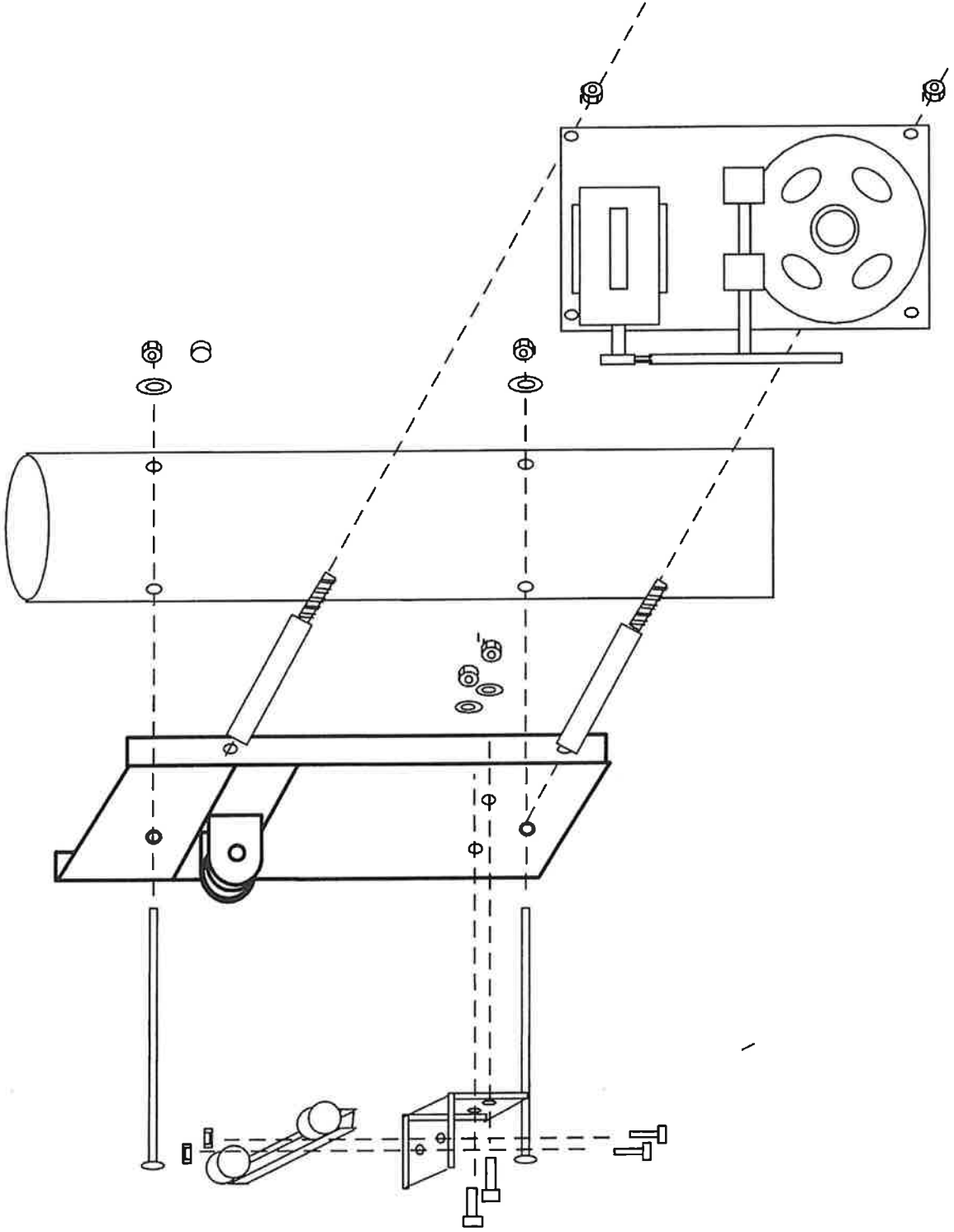
LUNMAR 4200#, 5600#, 7000# LOW PROFILE PILING MOUNT

LUNMAR BOAT LIFTS
 3715 HWY 27 SOUTH
 SULPHUR LA 70665
 337-558-7200
 337-558-7202 (FAX)

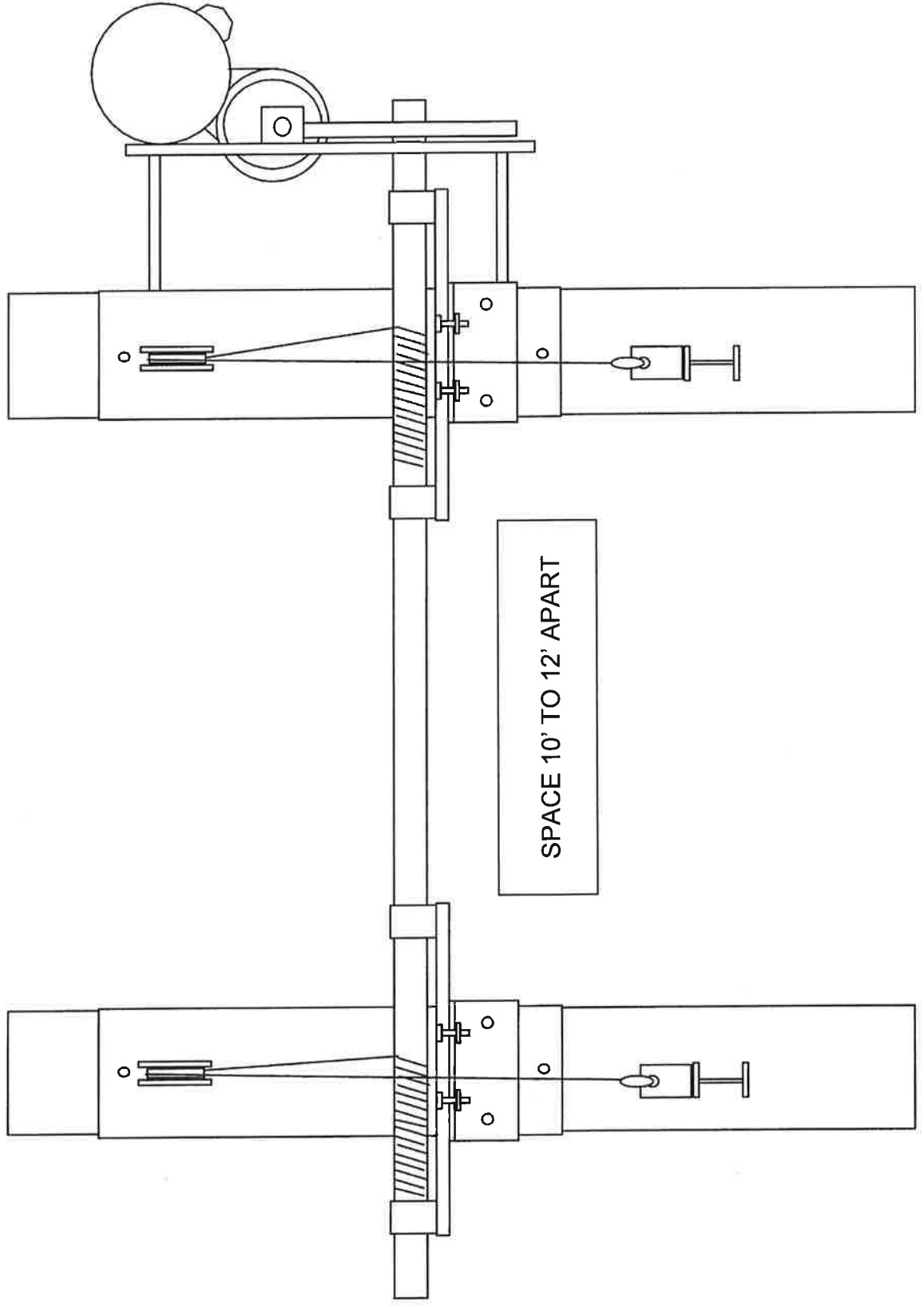


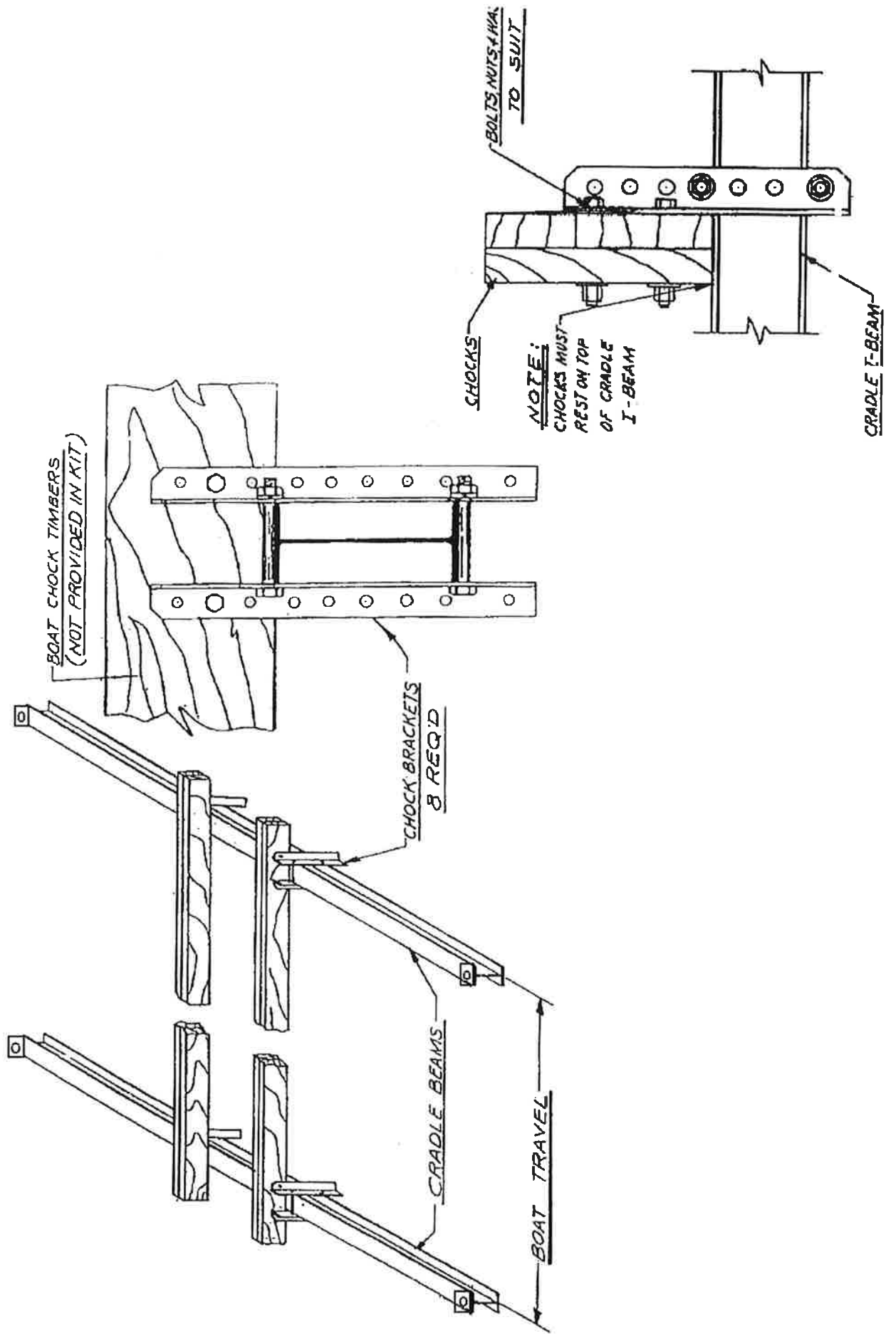
- A-----PILING MOUNT
- B-----2" DRIVE PIPE
- C---102GS STRAP BEARING (2)
- D---BEARING BRACKET WITH BOLTS
- E----- TORQUE PIPE (2)
- F---MOTOR
- G---GEARPLATE
- H---DRIVE BOLTS (ATTACHES GEARPLATE TO DRIVE PIPE)
- I-----PILING

LUNMAR 4200#, 5600#, 7000# LOW PROFILE PILING MOUNT



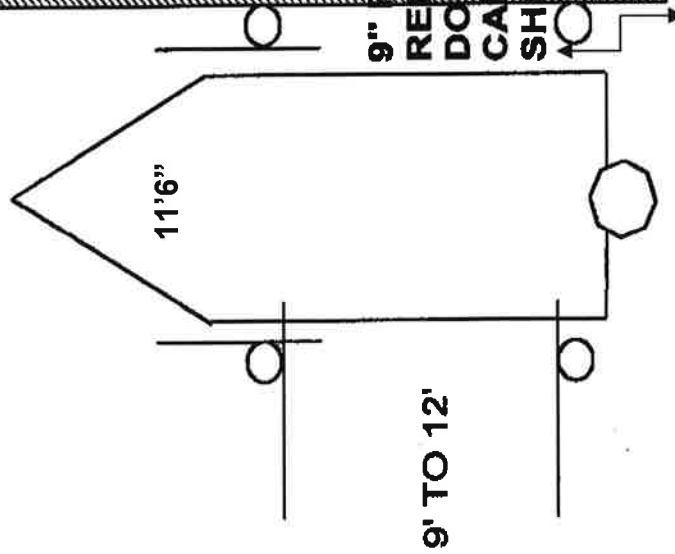
LUNMAR 4200#, 5600#, 7000# LOW PROFILE PILING MOUNT



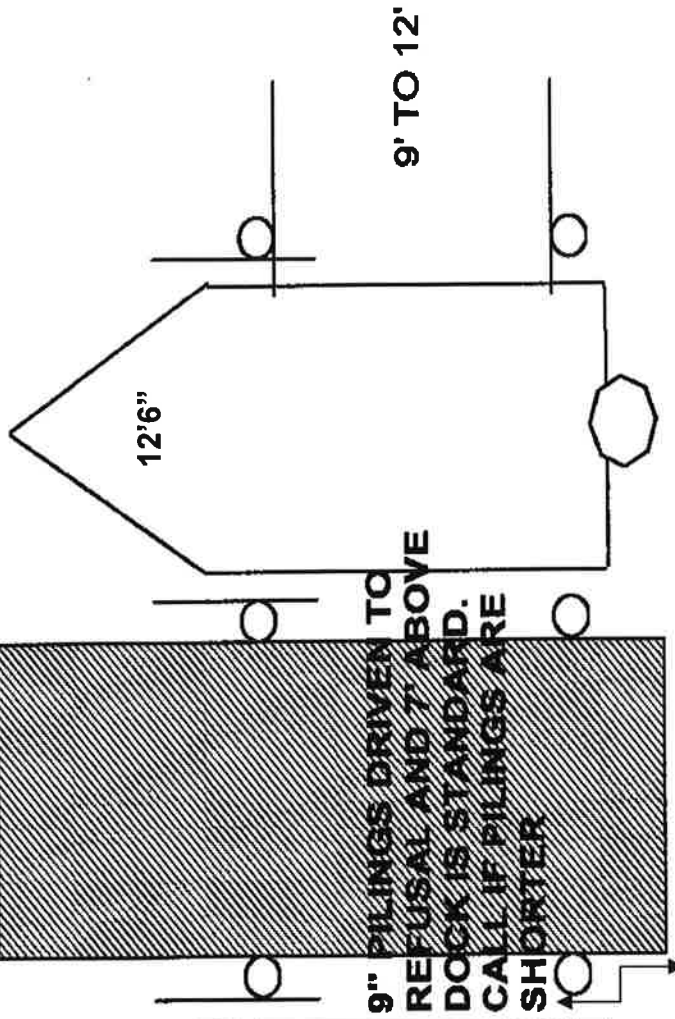


PILING PLACEMENT FOR LUNMAR PILING MOUNT & LOW PROFILE PILING MOUNT LIFTS

4200# AND 5600# PILING MOUNT
WITH 9' CRADLE BEAMS



5600#, 7000#, AND ALL
LOW PROFILE LIFTS WITH
10' CRADLE BEAMS



9" PILINGS DRIVEN TO
REFUSAL AND 7' ABOVE
DOCK IS STANDARD.
CALL IF PILINGS ARE
SHORTER

LOW PROFILE LIFTS - 9" PILINGS
DRIVEN TO REFUSAL AND 3' ABOVE
DOCK IS STANDARD