

LUNMAR INSTALLATION GUIDE
3000#, 4000#, & 6000# -- 2 POINT PICK UP
READ ALL INSTRUCTIONS BEFORE STARTING

THE LUNMAR 3000-2 POINT PICK UP LIFT IS DESIGNED TO LIFT A BOAT BY THE LIFTING EYES. THE LIFT ATTACHES TO 3 OVERHEAD WOODEN BEAMS THAT RUN PERPENDICULAR TO THE BOAT. THE AFT BEAM SHOULD BE LOCATED DIRECTLY OVER THE AFT LIFTING POINT. THE MIDDLE BEAM SHOULD BE LOCATED OVER THE FWD LIFTING POINT. THE THIRD BEAM IS FOR THE GEARBOX AND CAN BE LOCATED ANYWHERE. IT IS RECOMMENDED TO KEEP THE TOTAL DISTANCE BETWEEN THE FIRST AND THIRD BEAMS LESS THAN 20 FEET SO A STANDARD 20' JOINT OF SCHEDULE 40 (2") PIPE CAN BE USED.

PARTS LISTS

3000# -- 2 POINT PICK UP

1-AMS 3000 GEARBOX
2-102 STRAP BEARINGS
2-CABLE CLAMPS
4- BEARING BRACKETS
4-1 1/2 X 1/2 BOLTS
2-CABLE WEIGHTS
2-1/4" X 20' GALVANIZED CABLE WITH HOOKS

4000# -- 2 POINT PICK UP

ALL THE PARTS IN THE 3000#
EXCEPT THE AMS GEARBOX IS 4000
INSTEAD OF 3000

6000# -- 2 POINT PICK UP

ALL THE PARTS IN THE 3000#
PLUS: 2-560 WITH HOOK
2-1/4" X 30' GALV CABLE

ADDITIONAL PARTS REQUIRED

1--2" SCHEDULE 40 GALVANIZED PIPE
6--BOLTS

CHECK BOXES FOR ALL PARTS BEFORE FREIGHT COMPANY LEAVES!!!

***THIS KIT IS A BOATLIFT AND IS INTENDED TO BE USED AS ONLY A
BOATLIFT. DO NOT USE THIS LIFT TO PICK UP HUMANS.***

DO NOT WORK UNDER A HANGING BOAT!!!!!!

**ALL ELECTRICAL MODIFICATIONS MUST BE DONE BY A
CERTIFIED ELECTRICIAN!!!!**

TOOLS REQUIRED FOR INSTALLATION:

ELECTRIC DRILL----1/2 WOOD BITS----1/2 STEEL BIT----5/16 STEEL BITS
HAMMER----WRENCHES----SCREW DRIVERS----LEVEL----ROPE----PENCIL

FOLLOW THESE STEPS IN ORDER TO SAVE TIME!!!!

- 1) CHECK PARTS LIST AND IDENTIFY ALL PARTS.
- 2) ATTACH 108 BEARING BRACKETS TO 102 STRAP BEARING.
- 3) SLIDE 102/108 ASSEMBLY ON TO 2" GALVANIZED PIPE.
- 4) TIE ROPE ON EACH END OF PIPE AND SUSPEND UNDER OVERHEAD BEAMS.
- 5) CENTER AND LEVEL PIPE WITH ROPES.
- 6) ALIGN 108'S ON OVERHEAD BEAMS, DRILL HOLES, AND BOLT.
- 7) ATTACH MOTOR TO GEARPLATE AND TIGHTEN BELT.
- 8) SLIDE GEARBOX ON TO END OF PIPE. LIFT UP ON GEARBOX TO ALIGN PIPE IN 102. (MAKE SURE PIPE IS RESTING EVENLY IN THE 102'S) MARK HOLES, DRILL, AND BOLT GEARPLATE TO OVERHEAD BEAM.
- 9) DRILL 5/16" HOLE THROUGH PIPE WHERE 102 ATTACHES TO MID BEAM. RUN CABLE THROUGH WEIGHT AND ATTACH TO PIPE. REPEAT.
- 10) DRILL 1/2" HOLE THROUGH PIPE AT GEARBOX AND ATTACH WITH SUPPLIED BOLT.
- 13) GREASE GEARBOX AT THE 3 GREASE FITTINGS. SMEAR GREASE WHERE PIPE RUBS ON 102.
- 14) MOUNT SWITCH.

TROUBLESHOOTING

LIFT WILL NOT PICK UP BOAT

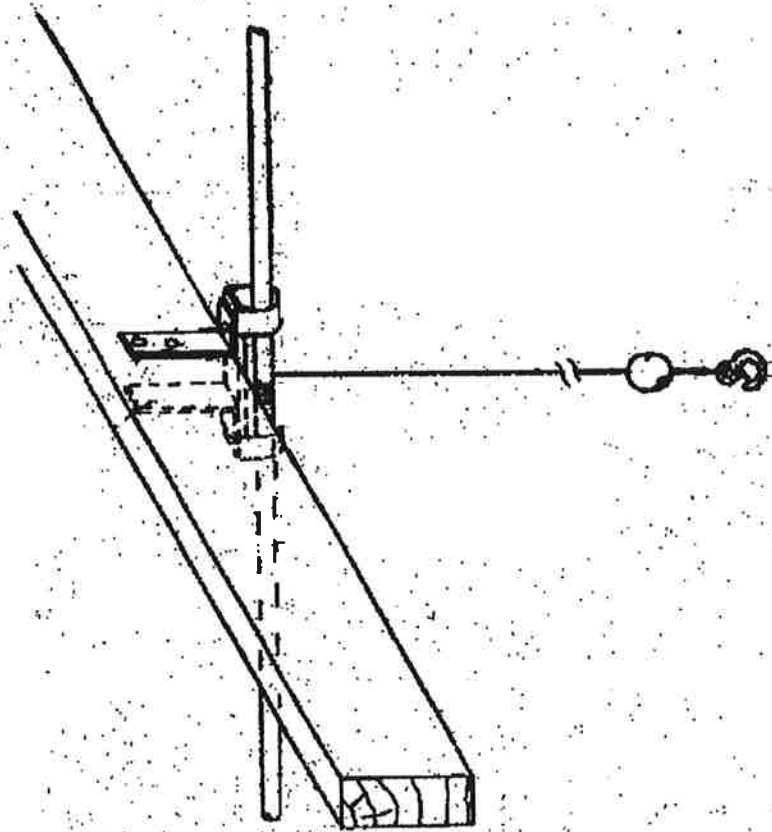
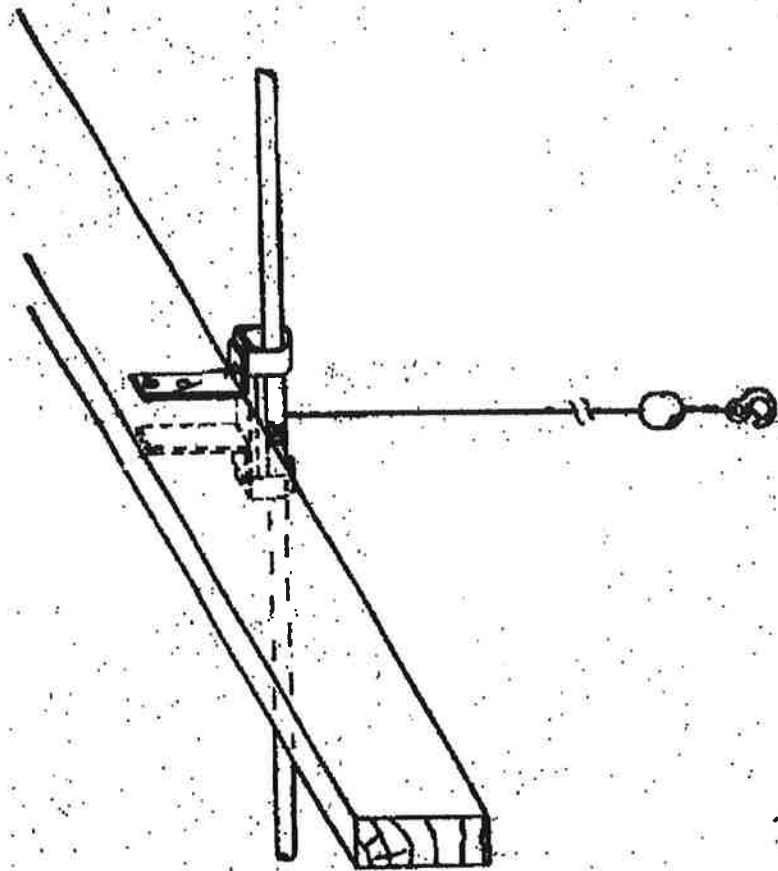
- 1) BOAT WEIGHS MORE THAN LIFT CAPACITY
- 2) LOW VOLTAGE
- 3) BELT SLIPPING
- 4) GEARPLATE OR PIPE BINDING DUE TO IMPROPER ALIGNMENT

LIFT MAKING EXCESSIVE NOISE

- 1) NEEDS TO BE GREASED
- 2) PIPE OR GEARBOX OUT OF ALIGNMENT
- 3) CABLES RUBBING AGAINST 102 ASSEMBLIES

CABLES BACKLASHING

- 1) ADD CABLE WEIGHTS TO PULLEYS
- 2) UPGRADE TO WEIGHTED SLINGS
- 3) CABLES RUBBING AGAINST 102 ASSEMBLY



Lunmar 6000 2 point pickup

