

**specialist**  
suppliers of  
**architectural**  
**hardware** to the  
**aluminium** door  
and window sector

**The AXIM Collection**

**The Adams Rite Collection**

**Door Controls**

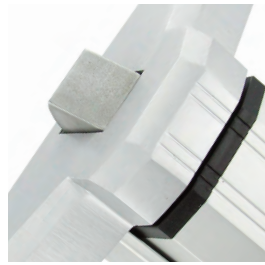
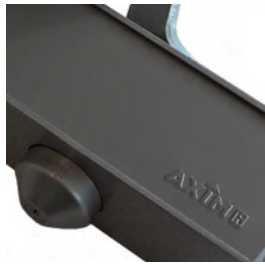
**Panic Hardware**

**Pull Handles & Accessories**

**Company Profile**

**Contact Details**

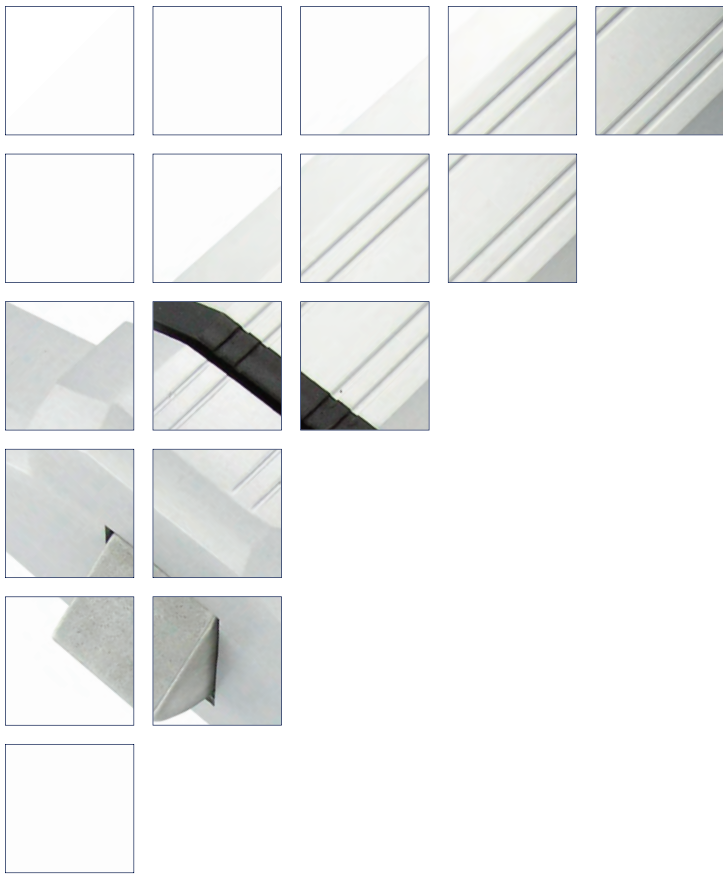
ALU  
SPEC Ltd



**The AXIM Collection**

- Transom Closers
- Floor Springs
- Surface Mounted Closers
- Panic Hardware
- Locks & Cylinders





## The Axim Collection

AXIM Architectural Hardware was formed in 1987 and has become the first choice for its full range of door hardware into the commercial architectural aluminium market.

Axim supply to the UK and to Europe a full range of hardware including door closers, transom closers, floor springs, flushbolts, exit devices, handles, letter plates, locks, and other ancillary items. Aluminium system companies, fabricators and maintenance companies have recognised the benefits in selecting AXIM for its product quality, reliability and competitive pricing structure.

With continuous growth and on-going product development AXIM, is fully equipped to offer products for existing and new markets.

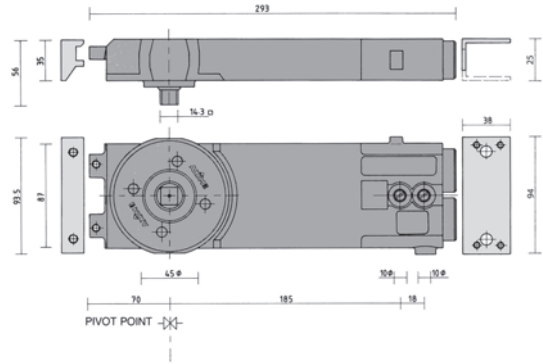
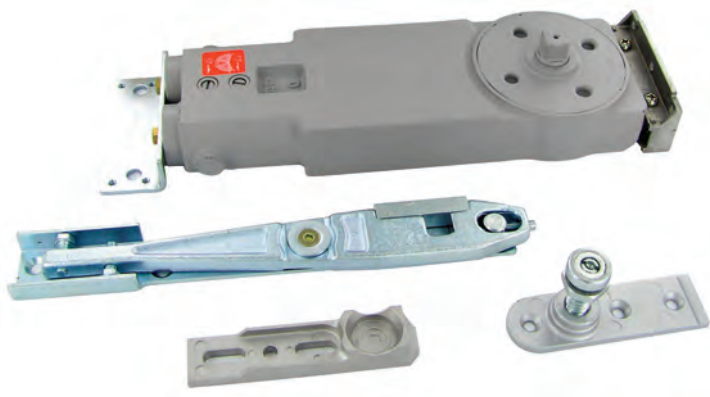


**AXIM 8800 SERIES**

Universal concealed transom closer

**Applications:**

Double or single action, centre hung / side load, 70mm standard pivot point, 65mm glass door, finger guard / timber door.



**Technical information:**

- Closer available in three strengths
- Control options: No Hold, Hold Open 90°, Hold Open 105°
- 130° Backcheck
- Compact size
- Closing and latching control
- Installation guide with drilling templates
- 65mm pivot point fixing bracket, glass door - product code 8800-12

See opposite page for accessories.

**Additional items:**

- 8800-12** 65mm pivot point fixing bracket
- 8800-03** 'A' kit closing jamb/header bar bracket
- 8800-04** 'B' kit used with narrow width toughened glass, door rails
- 8800-05** 'C' kit, 5mm shim bar
- 8800-11** 'D' kit, shallow channel adjuster bracket

**Body Unit**

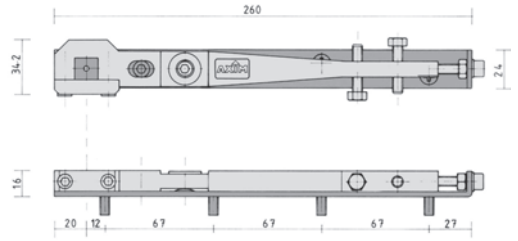
DOOR WIDTH	CLOSER SIZE	CLOSING FORCE in Nm (kpm)	NO HOLD	HOLD OPEN 90°	HOLD OPEN 105°
			PRODUCT CODE		
Up to 750mm	1	20 (2:0)	8801-00	8801-90	8801-105
751 to 950mm	2	27 (2:7)	8802-00	8802-90	8801-105
951 to 1150mm	3	33 (3:3)	8803-00	8803-90	8801-105
Shipping weight 4.46Kg					

Select size smaller for internal doors and size larger for doors in severe conditions.  
5mm and 10mm spindle extensions and alternative hold-open options available on special order.

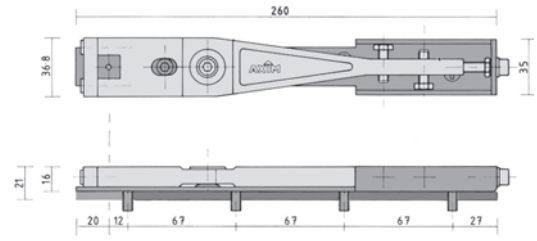
**AXIM 8800 SERIES Accessories**

**Sideload:**

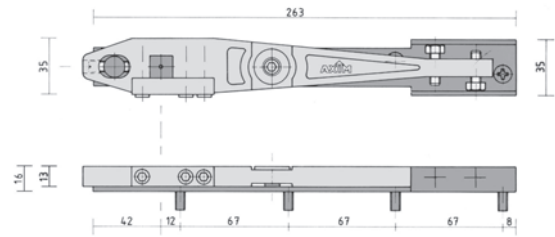
**8800-01** Universal top arm, including fixings  
Fully adjustable, vertically within opening & central parking positions



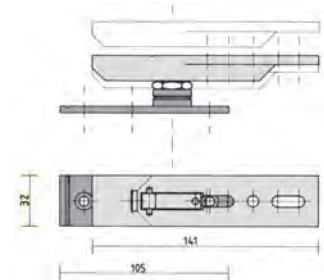
**8800-13** Standard top arm, including fixings  
Fully adjustable, vertically within opening & central parking positions



**8800-T13** Standard arm 'T' option including fixings offering lateral adjustment through hinge stile  
Fully adjustable

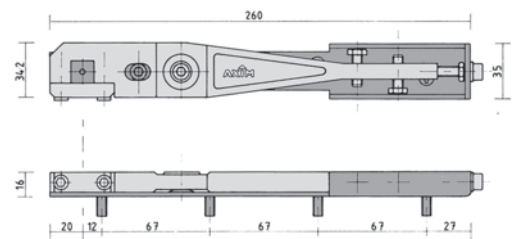


**8800-02** Universal bottom pivot assembly  
Fully adjustable height 31.5 to 58.5mm  
100kg loading radial bearing  
70mm standard pivot point  
65mm pivot point glass door, cut on 5mm 'V' groove line

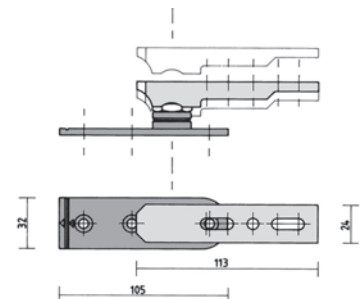


**Endload:**

**8800-15** Top arm & channel  
Fully adjustable, vertically within opening & central parking position  
5mm spacer bar for deep top rails included



**8800-14** Bottom pivot assembly, including fixings  
Fully adjustable height 31.5 to 58.5mm  
100kg loading radial bearing  
70mm standard pivot point  
65mm pivot point glass door, cut on 5mm 'V' groove line





**AXIM 9900 SERIES**

Universal concealed transom closer

**Applications:**

Double or single action, Centre hung or offset pivot with special arm, Side load or end load fittings, 70mm pivot point.



**Technical information:**

Independent, fully adjustable closing and latching speed controls with captivated screws preventing accidental removal.  
 3 power sizes, suitable for doors up to 1150mm wide and 100kgs in weight.  
 Mechanical backcheck protects door and closer when opening passed 105°  
 Fitting instructions are supplied with each body unit with a separate sheet covering replacement procedures.  
 Universal fittings included.

**Replacements:**

Will replace AXIM 8800 series, Dorma, Peters Jackson, Newman Tonks, Ryobi and other leading transom closers without costly modifications to door or frame.

**Model selection table**

DOOR WIDTH	CLOSER SIZE	CLOSING FORCE in Nm (kpm)	NO HOLD	HOLD OPEN 90°
			PRODUCT CODE	
Up to 750mm	1	20	9901-00	9901-90
751 to 950mm	2	27	9902-00	9902-90
951 to 1150mm	3	33	9903-00	9903-90
Shipping weight 4.46Kg				

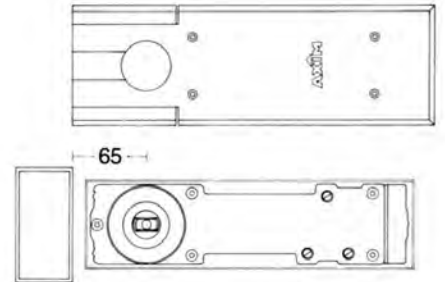


**AXIM FS6000 SERIES**

Universal floor spring

**Applications:**

Universal Application, Left hand, right hand single and double action doors  
 Closing force 28Nm for doors 150kg and up to 1200mm wide, No hold and 90° hold options



**Technical information:**

Full Hydraulic control provided by two valve screws.  
 Back check range 180° - 70°, Closing range 70° - 15°, Latching range 15° - 0°  
 Backcheck Zone prevents damage to outward opening doors or where door swing is limited to 90°  
 Adjustment within zinc plated cement box length 6mm, width 6mm, height 4mm  
 Spindle insert extension up to 50mm, suitable for all types of doors

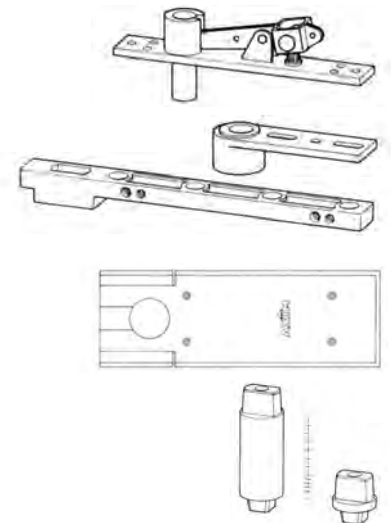
**Floor spring Accessories**

**FS6000 Retractable top centre**  
 Die cast alloy, door part with adjustable bronze bearing

**FS6000-135 Universal door strap**  
 Drop forged steel, zinc plated  
 35mm offset fixing available for up to 180° opening

**FS6000-01 Cover plates**  
 Universal for left hand, right hand single and double action doors  
 Standard 58mm pivot point, extended 65mm for glass door installation

**FS-6000XX Spindle extensions**  
 Up to 50 mm, Suitable for all types of doors



**Model selection table**

DOOR WIDTH	CLOSER SIZE	CLOSING FORCE in Nm (kpm)	NO HOLD	HOLD OPEN 90°
			PRODUCT CODE	
800-1200mm up to 800mm	Medium	28 (2.8)	6002-00	6002-90
	Light	15 (1.5)	6601-00	6002-90
Shipping weight 0000Kg				

Select medium spring for standard doors up to 1200mm wide up to 150kg. Light spring for light or narrow internal doors.



**AXIM 1500 SERIES**

Multistrength surface mounted hydraulic closer

**Applications:**

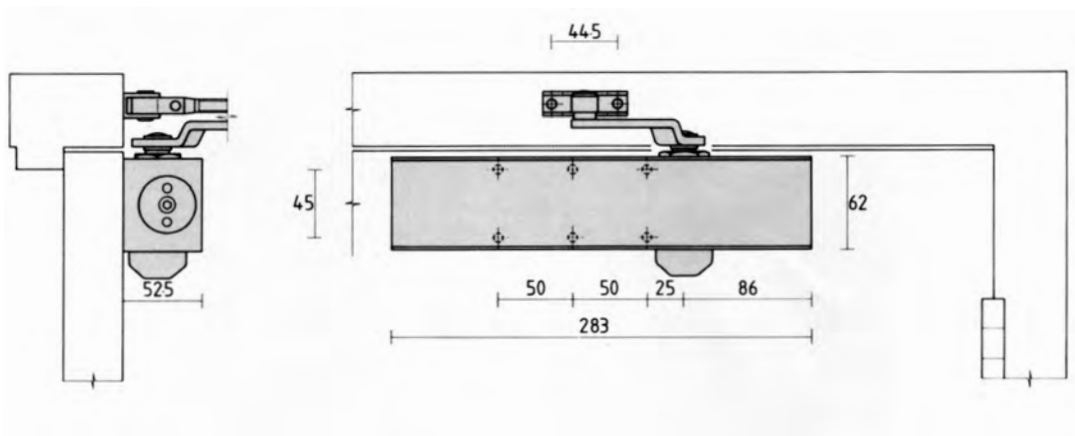
Suitable for left or right hand opening doors, top jamb and standard fixing.



**Technical information:**

Multistrength surface mounted hydraulic door closer, designed to complement the FC10. A hardened steel rack and pinion mechanism is housed in a die cast aluminium body. A parallel bracket is supplied for parallel arm installations. Fixings for both metal and timber doors included.

**Adjustments:** Valve screws and fixings are concealed behind a slide on anodised dress plate. Each unit is complete with a full size template and easy to follow instructions. Delayed action option available

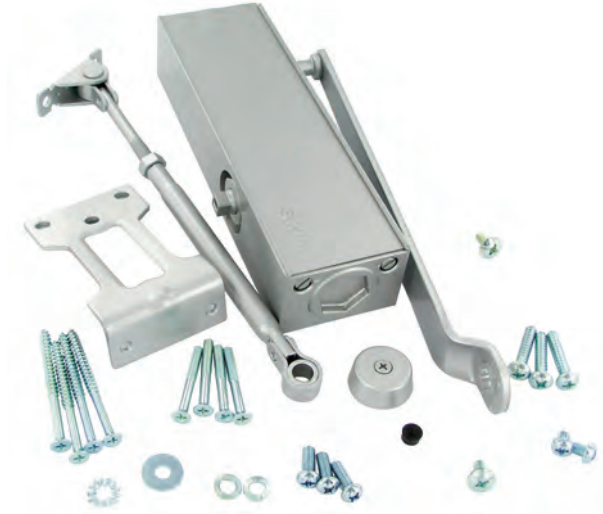


**AXIM 1000 SERIES**

Multistrength surface mounted hydraulic closer

**Applications:**

Available in two strengths with one body size suitable for single action doors, either right hand or left hand opening 90° and 180°



**Technical information:**

Surface Mounted Hydraulic Door Closer

Die cast aluminium body, modern slimline design suitable for doors opening onto adjacent walls.

Reversible for standard, top jamb and parallel arm installation.

Parallel arm bracket supplied as standard with every unit.

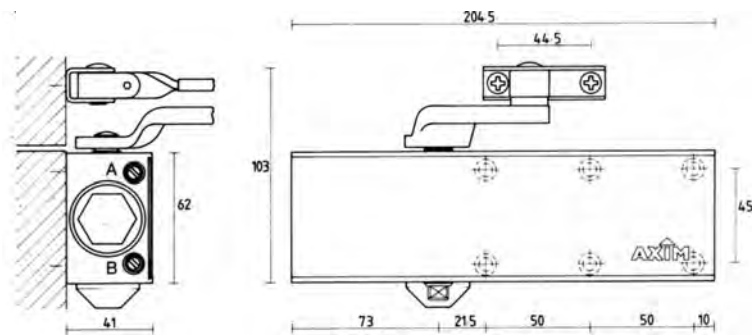
Fixings provided for both timber and metal doors.

Anodised dress plates conceal fixings after installation.

**Adjustments:** Two valve screws provide full hydraulic control front  
180° - 15° of closing and 15° - 0° for latching

**Fire rating:** BS 476 Pt. 22 1987.

**Finishes:** Silver, Dark Bronze, Gold, others available on request





**AXIM 3000 SERIES**

Budget surface mounted closer

**Applications:**

Reversible for left or right hand doors



**Technical information:**

Universal Surface Mounted Door Closer

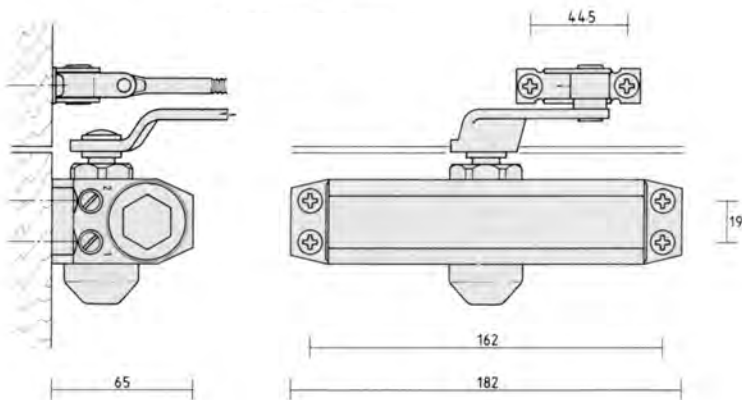
Die-cast aluminium housing with a hardened steel rack and pinion mechanism

One size unit for two strength – 2 & 3

For strengths 1, 4 & 5 the compatible 2000 series is recommended.

**Adjustments:** Two independent valves providing hydraulic control from 180° of closing sweep and 15° of latching.  
Fully adjustable after installation.

**Finishes:** Aluminium, Dark Bronze, Gold



**Accessories:**

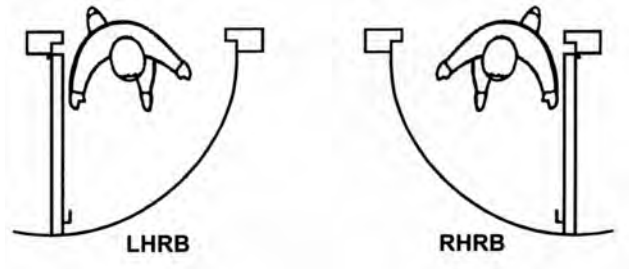
- 517 Flat drop bracket for installation on door when fixing is not possible
- 422 Hold-open arm, friction type, adjustable for any degree of retention



**AXIM Panic exit devices**

Technical information:

Door handing:



**Model selection:**

Determine the hand of the door using the diagram above and enter the correct designation after the series of number.

**Example:** PR-7100-AL-LHRB

NOTE: Units are stocked in both right and left hand but are easily field reversible.

**Guarantee:** AXIM handles are guaranteed for 12 months against defect in material and workmanship. This guarantee is void if the product has been incorrectly installed or damaged in use. Claims for damage incurred or work done thereon will not be accepted.



**AXIM 7085**  
**Panic exit device**

Concealed rod, panic exit device

Tested to EN1125



**Technical information:**

- Heavy duty lever springs for durable operation of lever arms
- Internal mechanism manufactured from stainless steel 8.5mm diameter steel operating rods
- 16mm bolt throw
- Bolt length adjustable ensuring correct alignment
- Standard model suitable for doors 2135mm high x 1155mm wide
- 300mm coupling rods available for tall doors.
- Cross bars can be cut to suit exact width requirements

Available with standard mortice rim cylinder and mounting pad allowing operation from outside  
 Permanent latch retention by either cylinder key from outside or concealed pins under levers

**Finishes:** Satin Silver, Dark Bronze, Black

**AXIM 7095****Panic exit device**

Rim mounted panic exit device

Tested to EN1125

**Technical information:**

Matching active and in-active housings to present a balanced appearance.

Housings assembled to be right or left handed.

Heavy duty lever springs for durable operations of lever arms.

Hardened latch bolt for added security.

Narrow width, surface mounted strike supplied adjustable after installation.

Standard model suitable for doors of up to 1155mm wide.

1220mm long cross bar available for extra wide doors.

Cross bars can be cut to suit exact width requirements

Available with standard rim cylinder that can be fitted directly to the door allowing operation from outside.

Permanent latch retention by either cylinder key from outside or concealed pins under levers.

**Finishes:** Satin Silver, Dark Bronze, Black

**AXIM 7085P****Panic exit device**

Concealed rod, push paddle, emergency exit device

Tested to EN 179

**Technical information:**

Heavy duty lever springs and internal mechanism for durable operation of lever and arm.

Plated steel and stainless steel components.

8.5mm diameter, steel locking rods with 16mm bolt through.

Bolt length adjustable ensuring correct alignments.

Standard model suitable for all widths of doors and 2135mm high

300mm coupling rods are available for taller doors.

Available with standard mortice rim cylinder and mounting pad allowing external access.

Permanent bolt retention for easy external access

Permanent bolt retention for easy access can be achieved with cylinder key or dogging pin to the underside of the operating lever.

**Finishes:** Satin Chrome

**Accessories:**

**517** Extension rod with coupling for doors over 2135mm high (plated steel)

**RE-795** Rim cylinder for access from outside

**Finishes:** Silver Grey Finish



**AXIM 7100**

**Panic exit device**

Soft Touch Panic Exit Device

Tested to EN 1125



**Technical information:**

Heavy duty lever springs and internal mechanism for durable smooth operation  
 Plated steel and stainless steel internal components  
 8.5mm diameter steel locking rods with 16mm bolt through  
 Bolt length adjustable ensuring correct alignment  
 Standard model suitable for door width as narrow as 700mm and 2135mm high  
 300mm coupling rods are available for taller doors.

Available with standard mortice rim cylinder and mounting pad allowing external access  
 Permanent bolt retention for easy access can be achieved with cylinder key from outside or hexagon key in the touch bar.

**Finishes:** Extruded aluminium touch bar, anodised finish with coloured alloy end caps to match

**Accessories:**

**RC-785** Rim cylinder for access from outside

**Finishes:** Silver Grey, Dark Bronze, Black

**MP-786** Cylinder mounting pad

**Finishes:** Silver Grey, Dark Bronze, Black





**AXIM PR-7095P SERIES**

Emergency exit device

Push Paddle Panic Device, Rim Mounted

Tested to EN 179



**Technical information:**

Available with standard mortice rim cylinder, allowing external access.

Material finish lever handles are satin chrome finish to complement most door colours and are clearly marked 'PUSH'.

Supplied with full size templates for ease of installation.

**AXIM PR-7300****Panic exit device**

Soft Touch Push Bar, Rim Mounted

Tested to EN 1125

**Technical information:**

Heavy duty lever springs for durable and smooth operation.

Standard model suitable for door widths as narrow as 700mm

Available with standard mortice rim cylinder, allowing external access.

Extruded aluminium touch bar, anodised finish with coloured alloy end caps to match.

Supplied with full size templates for ease of installation.



**AXIM LH-725**  
Locking Handle

For use with Panic Exit Device



**Technical information:**

Key Controlled

Outside Trim

For use with AXIM PR7085, PR7085P & PR7100 Exit Devices.

Uses AXIM screw in Mortice Cylinder with MS type CAM.

Not handed (field reversible)

**AXIM LK1800 SERIES**  
Mortice Hook Lock**Technical information:**

Europrofile Hook Lock Designed for narrow stile hollow metal doors  
Single or double action  
Centre hung or offset pivot

**Finishes:** Steel case and mechanism, zinc plated for resistance to corrosion

**LK1800-25** for the 25mm backset model  
195 x 25 x 41mm

**LK1800-30** for the 30mm backset model  
195 x 25 x 46mm

**LK1800-30R** for the 30mm backset model - Rivnut Fixing

**LK1800-40** for the 40mm backset model  
195 x 25 x 51mm

**Accessories:**

**LK-062** Escutcheon screw fixed

**LK-092** Escutcheon self adhesive

**LK1800-1133** Mounting bridges



**AXIM LK2100 SERIES**  
Deadlatch



**Technical information:**

Designed for narrow stile hollow metal and timber doors  
Accept the AXIM thumbturn, paddle handle, lever handle and range of cylinders.

**Deadlatch - Round cylinder:**

**LK2100-25R** Lock case 25mm backset

**LK2100-38R** Lock case 38mm backset

**LK2100-40R** Lock case 28.6mm backset

**Deadlatch - Euro profile cylinder:**

**LK2100-25E** Lock case 25mm backset

**LK2100-38E** Lock case 38mm backset

**LK2100-40E** Lock case 28mm backset

**Hook lock - Round cylinder:**

**LK2100-25R** Lock case 25mm backset

**LK2100-30R** Lock case 30mm backset



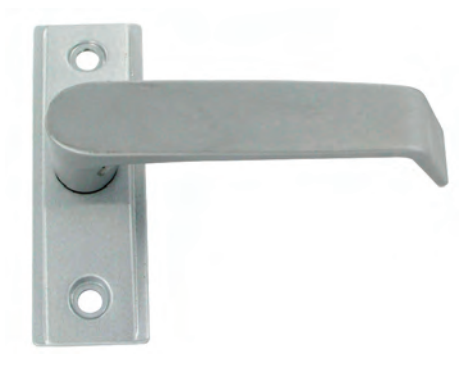
**PH-2100-50**  
Lever handle

Designed to operate with the 2100 series of Latch/Locks



**PH-2100-68**  
Lever handle

Designed to operate with the 2100 series of Latch/Locks



**AXIM PH2100 SERIES**

Push/Pull paddle handle complete with cam

Designed to operate with the 2100 series of latch/locks

PH-2100-61 Pull to the left

PH-2100-62 Push to the left

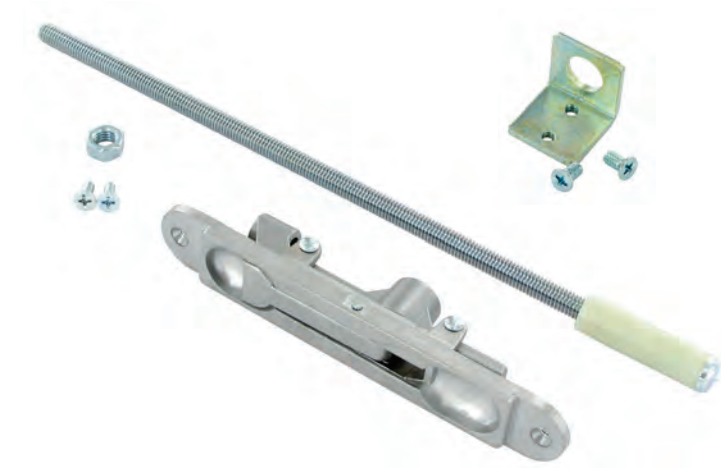
PH-2100-63 Pull to the right

PH-2100-64 Push to the right





**AXIM FB62**  
Extension flush bolts



**Technical information:**

Maximum Security Hardened steel bolt  
Zinc plated with anti-rattle sleeve  
7mm zinc plated steel rod with 40mm thread length  
Easily adapted for non standard door installation  
Die cast zinc alloy body mechanism.  
Fixing holes tapped M5.  
Deep finger recess and large lever for easy operation.  
Corners 2.5mm radius for easy matching of cut out.

**Sizes:** 305, 152mm

**Finishes:** Silver, Bronze, Mill (custom finish)

**AXIM 62.035**  
Floor socket keep

Sprung loaded, dust resistant.

**Finishes:** Satin Chrome



**AXIM LP500**  
Letter plate**Technical information:**

Full 180 degree opening to outside flap for easy operation when fitted to the bottom rail of a door or low stallriser.

Fully weatherproofed outside flap incorporating a unique drainage channel for optimum protection of mail.

Adjustable spring tension, preset in factory for average requirements.

Blind fixings concealed behind outer flap for security.

Inner flap with rubber seal for quiet closing action and adjustable spring tension, preset in factory.

Integral sleeve for 45mm door rails with 10mm cutting grooves enabling easy adjustment down a 10mm thick armour plate door or panel.

All fixings are within the rectangular cut out area eliminating the need for extra fixing holes.

**Finishes:** Mill Finish (for painting), Silver Anodised, Bronze Anodised,  
Polished Silver, White, Black Anodised

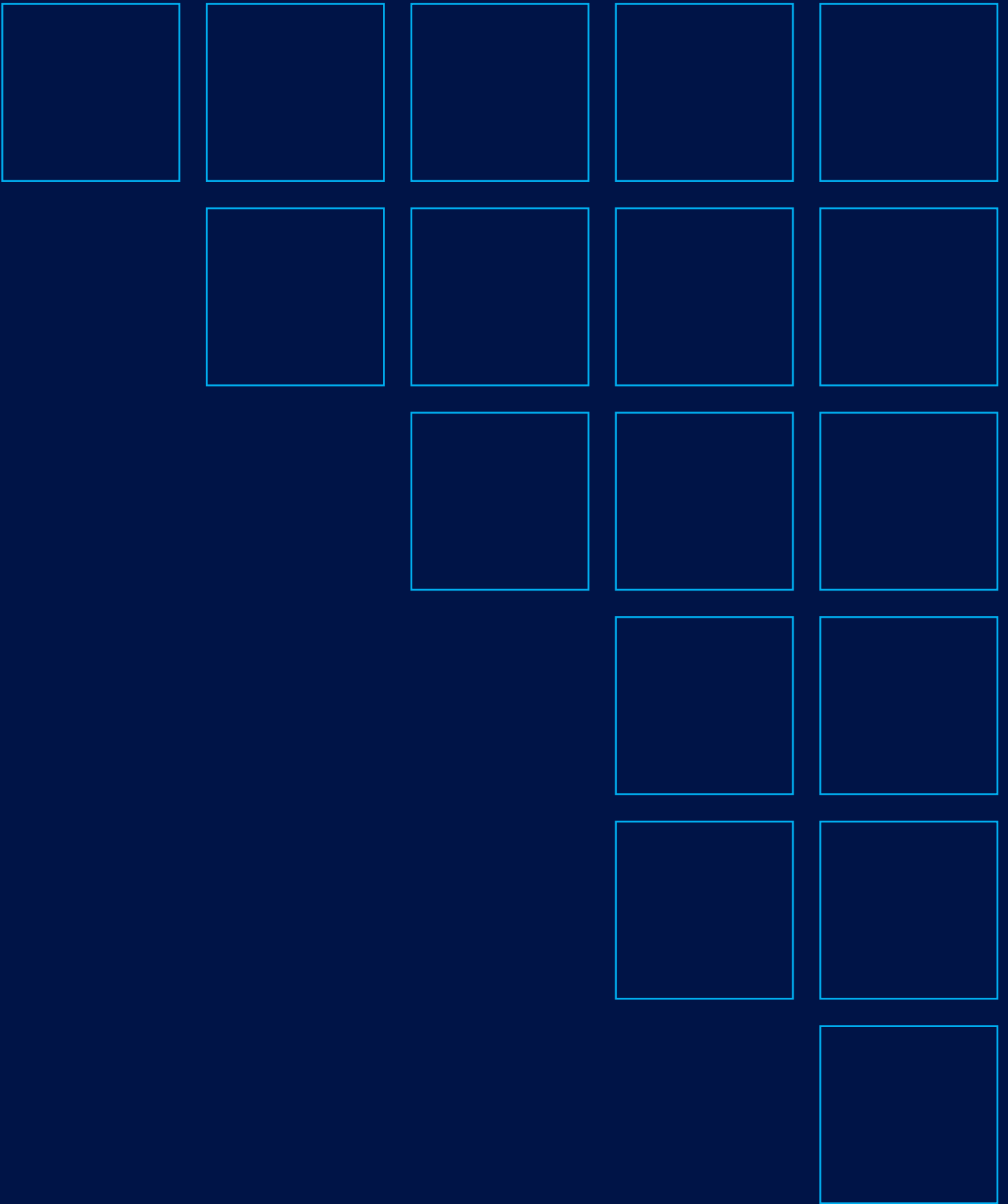


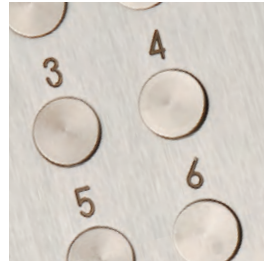






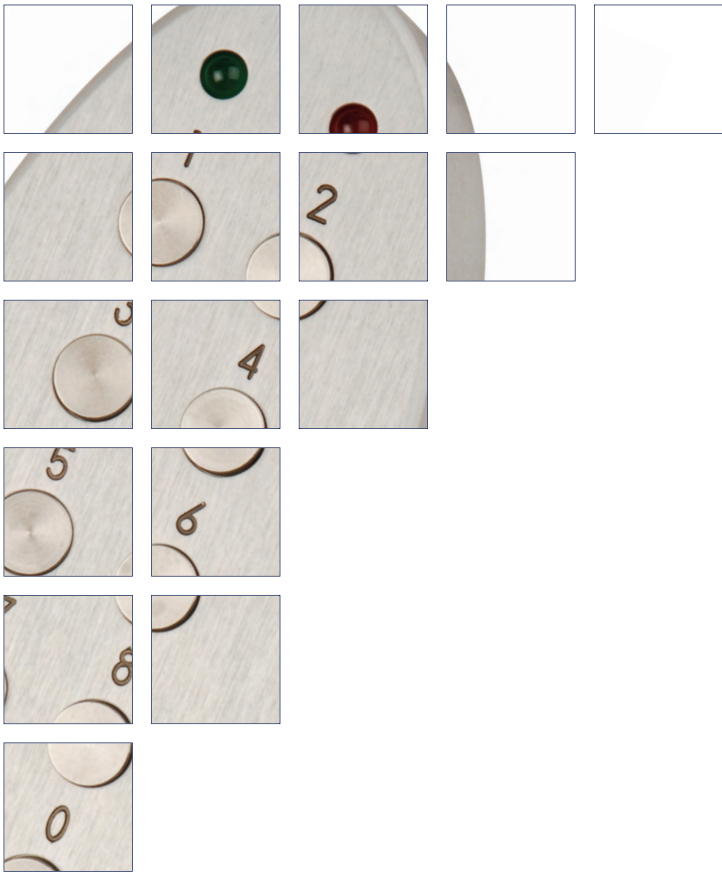






**The Adams Rite  
Collection**  
 Mechanical Locking  
 Door Hardware  
 Exit Devices  
 Access Controls





## Adams Rite

Adams Rite is one of the UK's leading security solutions providers. A wholly owned subsidiary of Adams Rite Manufacturing in the USA, and part of the ASSA ABLOY Group, the company is one of a network of outlets stretching across the globe. It's aim is to develop and introduce quality products for existing and new markets that are secure, reliable and innovative.

Adams Rite was the originator of the swing bolt mechanism, developed to cope with locking narrow stile aluminium doors, which remains the preferred method of locking on the majority of commercial aluminium doors.





**SENTINEL 6**  
**Extreme Security Deadlock**  
 BS EN 12209

Sentinel 6 is a completely new generation of deadlock from Adams Rite that raises the bar in security locking to new heights. Engineered specifically to meet the stringent BS EN 12209 Lock Standard Test to security Grade 6, Sentinel 6 stands in a class of its own.

**Key Benefits:**

- Complies with BS EN 12209 at security grade 6
- Bolt withstands 10kN side load in unsupported application and 6kN end load
- Barbolt with anti-spread feature incorporating the benefits of hookbolt
- New patented Adams Rite over-centre mechanism
- Enclosed mechanism prevents potential for tampering while under attack
- Specifically designed to fit into thermally broken and shop front applications
- Aiding in compliance with current doorset standards
- Will retro-fit into existing prep for MS2200

**Related Hardware:**

Europrofile Cylinders and Sentinel Security Escutcheon.  
 Europrofile Thumbturns

**SPECIFICATIONS:**

- Overall Case Size:** 195mm x 25mm x 42mm (25mm Backset)  
 195mm x 25mm x 47mm (30mm Backset)  
 195mm x 25mm x 57mm (40mm backset)
- Case:** Steel with corrosion-resistant plating
- Backset:** 25mm, 30mm, 40mm
- Bolt:** 29mm bar bolt with anti spread feature, engages when correctly fitted with strike plate.
- Lock Bolt:** 6 ply laminated steel with aluminaceramic insert
- Forend:** Steel with faceplate
- Mechanism:** Carbon steel actuating mechanism (patent pending)
- Cylinder:** Operates with 17mm Europrofile cylinder, fitted with a DIN cam
- Operation:** 360° turn of key / thumbturn. Key only removable when bolt is positively locked or unlocked
- Flush faceplates:** Flat, radius & weatherstrip (satin anodised only)
- Door Type:** Aluminium or steel

**ORDERING CODES:**

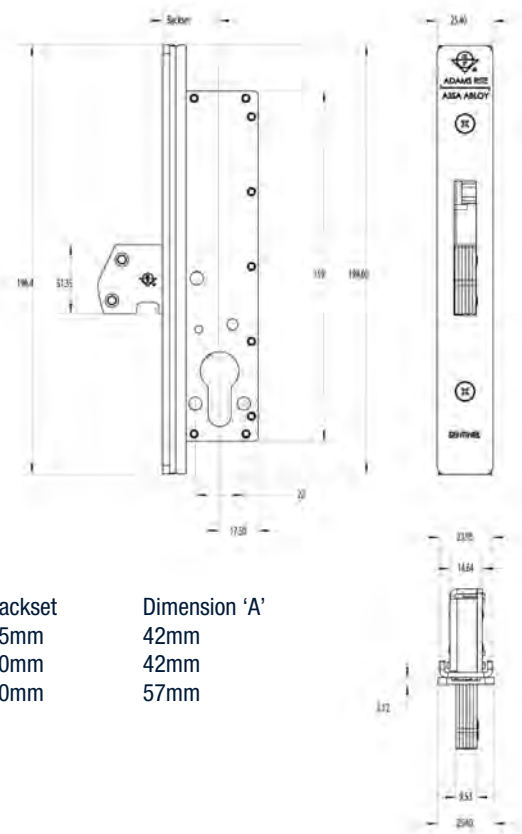
- Lock Bodies (Commercial Deadlock)**
- 2600-200 25mm Backset  
 2600-300 30mm Backset  
 2600-400 40mm Backset

- Faceplates (SAA Finish)**
- 24-2627-010-628 Flat  
 24-2627-110-628 Radius  
 24-2627-410-628 Radius weatherstrip

- Lock fixings**
- 91-2627-001 Cranked fixing tabs in pairs for flush lock front plate application - 10 PK

- Strike package**
- 2627-010 Armoured strike backplate - flush front plate application  
 2627-012-628 Flat trim strike SAA finish  
 2627-112-628 Radius trim strike SAA finish

- Escutcheon**
- AH-2627-90-SL Euro Escutcheon - Silver



**4720 ANSI**

**Deadlatch**

BS EN 179 + A1:2001

The Adams Rite 4720ANSI is for use in hollow metal or wooden doors and offers flexible traffic control and a good level of security. When used in emergency exit applications with a 4591 Paddle Handle, the assembly must use the 8360 ramped jaw strike in order to conform to BS EN 179+A1:2001

**Key Benefits:**

- Is interchangeable without stile modification with the MS® 1850SNSI Deadlock.
- It is often used in conjunction with the 7100 series Electric Strikes to provide remote access control.
- Accepts any standard mortice cylinder, thumbturn (both with MS® cam) or 4591 Paddle handle (with 4580 cam plug).
- Suitable for use on timber and steel doors.

**Related Hardware:**

Round Cylinders, MS®4043 Cylinder Guard, Round Thumbturns, 4561 & 4565 Lever Handle & Thumbturn, 4568 Lever Handle, 4591 Paddle Handle, 8360 Ramp Jaw Strikes, 7100 Series Electric Strikes

**SPECIFICATIONS:**

- Overall Case Size:** 202mm x 31.7mm x 54.4mm.
- Case:** Steel with corrosion-resistant plating
- Backset:** 38.1mm (1 1/2").
- Latch Bolt:** 25.4mm x 12.7mm. ZA-27 Zinc, Chrome Plated, Hardened Steel Internal Pins, plus Anti-Pick baffle.
- Latch Throw:** 12.7mm.
- Auxiliary Bolt:** ZA-27 Zinc, Chrome Plated with Hardened Steel Internal Pins.
- Cylinder:** Any standard 29.4mm (1 5/32") Mortice Cylinder or Thumbturn with MS® cam.
- Operation:** Turn key/thumbturn or handle to retract latch bolt.
- Door Gap:** Maximum 5mm. Forend: Steel, with aluminium faceplate.

**ORDERING CODES:**

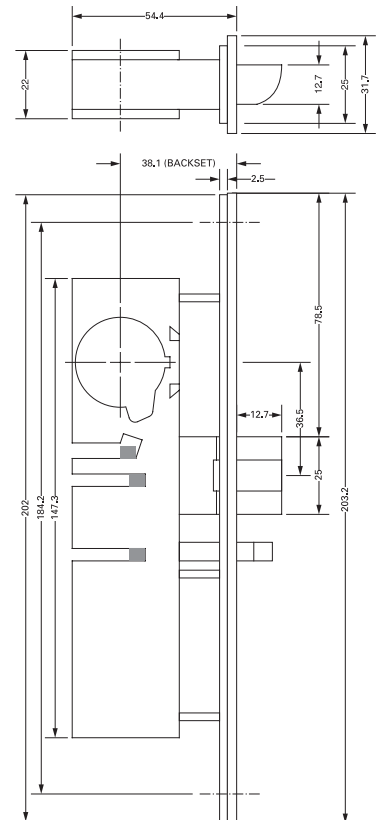
**Lock Bodies**

- 4720-401 4720ANSI Deadlatch for Timber & Metal Installation
- 4720-45 4720ANSI Deadlatch Bevel LH
- 4720-46 4720ANSI Deadlatch Bevel RH

**Faceplates**

- 24-4720-001-313 Faceplate Flat, Bronze Finish
- 24-4720-001-335 Faceplate Flat, Black Finish
- 24-4720-001-628 Faceplate Flat, SAA Finish
- 24-4720-101-628 Faceplate Radius, SAA Finish

**Note:** Cylinders, thumbturns and faceplates not supplied as standard; order separately. 628 denotes Satin Anodised Finish



**4750  
Deadlatch**

The Adams Rite 4750 Deadlatch offers flexible traffic control and a good level of security.

**Key Benefits:**

- Can be used in conjunction with the 7100 series Electric Strike to provide remote access control.
- The auxiliary bolt feature deadlocks the latch when the door is closed against the strike.
- Operates with 17mm Euro cylinder
- Metric backsets
- When used with 4596 paddle handle and 8461 strike range it complies with BS EN 179:2008
- Suitable for use on aluminium doors.

**Related Hardware:**

4104 Mounting Bridges, Europrofile Cylinders & Escutcheons, Europrofile Thumbturns, 4596 Paddle Handle, 7100 Series Electric Strikes

**SPECIFICATIONS:**

**Overall Case Size:** 173mm x 25mm x 40.6mm (24mm Backset)  
 173mm x 25mm x 44.7mm (28mm Backset)  
 173mm x 25mm x 54.4mm (37mm Backset)

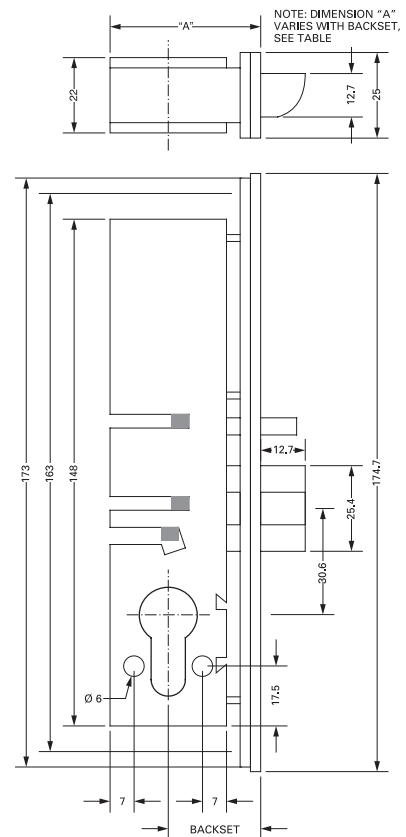
**Case:** Steel with corrosion-resistant plating  
**Latch Bolt:** 25.4mm x 12.7mm. ZA-27 Zinc, Chrome Plated, Hardened Steel Internal Pins, plus Anti-Pick baffle.  
**Latch Throw:** 12.7mm.  
**Cylinder:** 17mm Europrofile Cylinder or Thumbturn.  
**Operation:** Turn key or thumbturn to retract latch bolt.  
**Door Gap:** Maximum 5mm.  
**Forend:** Steel, with aluminium faceplate.

**ORDERING CODES:**

**Lock Bodies (Deadlatch)**  
 4750-200-5 24mm Backset LH  
 4750-200-6 24mm Backset RH  
 4750-200 24mm Backset  
 4750-300 28mm Backset  
 4750-400 37mm Backset

**Faceplates (SAA Finish)**  
 24-4700-000-628 Flat  
 24-4700-100-628 Radius  
 24-4700-200-628 Left Hand Bevel  
 24-4700-300-628 Right Hand Bevel  
 24-4700-400-628 Radius Weatherstrip

**Note:** Cylinders, thumbturns and faceplates not supplied as standard; order separately.  
 628 denotes Satin Anodised Finish substitute 628 with 313 for Bronze, or 335 for Black.



Backset	Dimension "A"
24mm	40.6mm
28mm	44.7mm
37mm	54.4mm

**MS®2200**

**Maximum Security Deadlock**

The Adams Rite MS® 2200 deadlock provides maximum security locking for both swing and sliding aluminium doors using a europrofile cylinder.

**Key Benefits:**

- 2/3 point locking available when used with 4022-18 kit.
- Alumina ceramic core in bolt to prevent hacksaw attack.
- Retains the same uncomplicated pivot mechanism and all the security features associated with the other MS® Deadlocks.
- The MS® 2200 lockbody has been designed to cater for 17mm Europrofile as standard.
- Riv-nut fixing version available.
- Available on aluminium and steel doors.
- Version to suit 22mm Kaba Europrofile cylinder available.

**Related Hardware:**

Europrofile Cylinders and Escutcheons, MS® 4000 Armoured Parts, 4022-18 Header/Threshold Bolt

**SPECIFICATIONS:**

**Overall Case Size:** 195mm x 25mm x 41mm (25mm Backset)  
 195mm x 25mm x 46mm (30mm Backset)  
 195mm x 25mm x 56mm (40mm Backset)

- Case:** Steel with corrosion-resistant plating
- Backset:** 25mm, 30mm, 40mm (40mm option: hookbolt version only)
- Latch Bolt:** 25.4mm x 12.7mm. ZA-27 Zinc, Chrome Plated, Hardened Steel Internal Pins, plus Anti-Pick baffle.
- Bolt Throw:** 32mm (Bar), 20mm (Hook).
- Lock Bolt:** 34mm 13mm. 5 Ply Laminated Steel with Alumina-Ceramic Anti-Saw Core (Stainless steel lockbolt option available on certain models).
- Forend:** Steel with aluminium faceplate.
- Mechanism:** Carbon Steel Actuating Mechanism.
- Cylinder:** Any standard 17mm Europrofile cylinder/thumbturn or 22m Kaba Profile cylinder/thumbturn.
- Operation:** MS®2200 - 17mm Europrofile cylinder MS®2210 - 22mm Kaba Profile cylinder 360° turn of key or thumbturn. Key only removable when bolt is positively locked or unlocked.
- Faceplate Finishes:** 628 Satin Aluminium, 313 Bronze, 335 Black.
- Door Type:** Aluminium or Steel. Two/three point.
- Locking:** Specify 4022-18 (1 or 2 no.) Not available in 40mm backset.
- Monitoring Facility:** Optional via microswitch within case.

**ORDERING CODES:**

**Lock Bodies - Hook Bolt Deadlock**

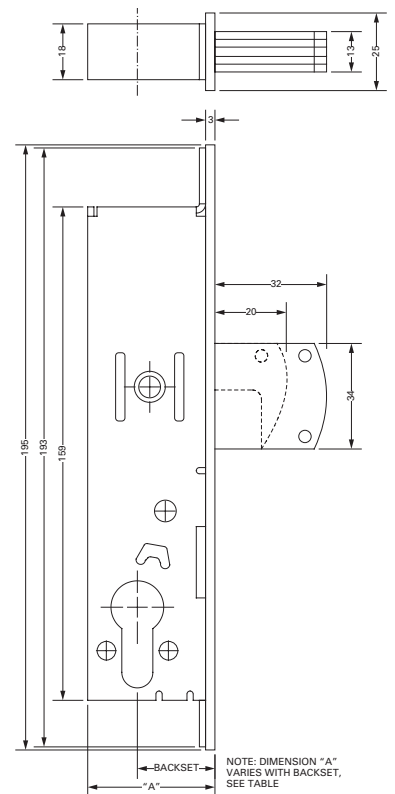
- 2200-150 25mm Backset, 17mm Cylinder
- 2200-150-02 25mm Backset, 17mm Cylinder Monitored
- 2200-250 30mm Backset, 17mm Cylinder
- 2200-250-02 30mm Backset, 17mm Cylinder Monitored
- 2200-350 40mm Backset, 17mm Cylinder
- 2200-350-02 40mm Backset, 17mm Cylinder Monitored
- 2210-150 25mm Backset, 22mm Cylinder
- 2210-250 30mm Backset, 22mm Cylinder

**Lock Bodies - Barbolt Deadlock**

- 2200-110 25mm Backset, 17mm Cylinder
- 2200-210 30mm Backset, 17mm Cylinder
- 2210-110 25mm Backset, 22mm Cylinder
- 2210-210 30mm Backset, 22mm Cylinder

**Faceplates - (SAA Finish)**

- 24-2200-010-628 Flat Bar Lock
- 24-2200-050-628 Flat Hook Lock
- 24-2200-110-628 Radius Bar Lock
- 24-2200-150-628 Radius Hook Lock
- 24-2200-250-628 Left Hand Bevel Hook Lock
- 24-2200-350-628 Right Hand Bevel Hook Lock
- 24-2200-410-628 Radius Weather Strip Bar Lock
- 24-2200-450-628 Radius Weather Strip Hook Lock



**MS®1850SNSI  
Maximum Security Deadlock**

The Adams Rite MS® 1850SNSI Maximum Security Deadlock is identical in operation to the MS® 1850S series Deadlock and is for use in hollow, metal or wooden doors.

**Key Benefits:**

- Available for use on timber and steel doors.
- Interchange without stile modification with the 4720ANSI deadlatch
- Longer fixing tab positions to enable greater fixing security.

**Related Hardware:**

Round Cylinders, MS®4043 Cylinder Guard, Round Thumbturns, Trim Strikes, 4015 Threshold Bolt

**SPECIFICATIONS:**

- Overall Case Size:** 201.7mm x 31.7mm x 57.1mm
- Case:** Steel with corrosion-resistant plating
- Backset:** 38.1mm
- Lock Bolt:** 34.9mm x15.9mm. 8 Ply Laminated Steel with patented Alumina-Ceramic Anti Saw Core.
- Bolt Throw:** 34.9mm (Barbolt), 20.6mm (Hookbolt).
- Mechanism:** Carbon Steel Actuating Mechanism.
- Cylinder:** Any standard 29.4mm Mortice Cylinder or Thumbturn with MS® cam.
- Operation:** 360° turn of key or thumbturn. Key only removable when bolt is positively locked or unlocked.
- Door Gap:** Maximum 3mm.
- Two Point Locking:** Specify 4015 Threshold Bolt.
- Forend:** Steel, with aluminium faceplate.

**ORDERING CODES:**

**Lock Bodies (ANSI Deadlock)**

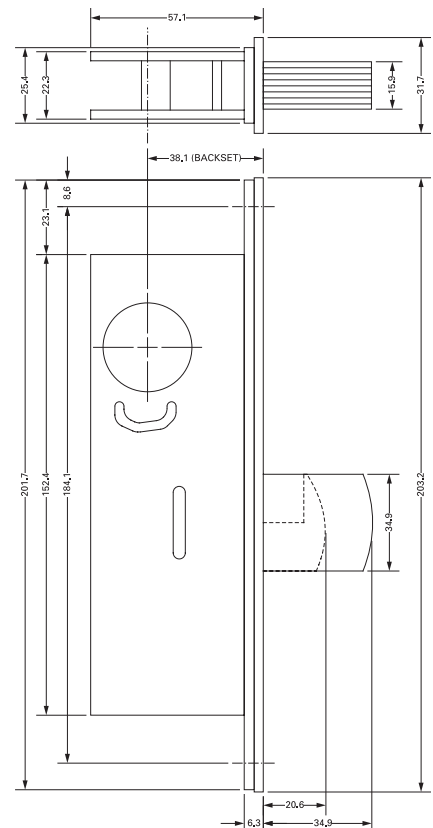
- 1850-411 38.1mm Backset Barbolt
- 1850-451 38.1mm Backset Hookbolt

**Faceplates (SAA Finish)**

- 24-1850-011-628 Flat Bar Lock
- 24-1850-051-628 Flat Hook Lock
- 24-1850-111-628 Radius Bar Lock
- 24-1850-151-628 Faceplate

**Optional 4015-18**

Threshold Bolt (for hollow metal doors)



**MS®1850S**

**Maximum Security Deadlock**

The Adams Rite MS®1850 deadlock provides maximum security locking for both swing and sliding aluminium doors.

**Key Benefits:**

- Suitable for use on aluminium doors.
- Armoured strikes and cylinder guards.
- Tested to 50,000 cycles.
- 2 point locking available using 4015-18 threshold bolt.
- Available in hook and bar bolt version.
- Interchangeable without stile modification.
- Monitored version available.

**Related Hardware:**

4104 Mounting Bridges, Round Mortice Cylinders, MS®4043 Cylinder Guard Round Thumbturns, MS®4000 Armoured Parts, 4015 Threshold Bolt

**SPECIFICATIONS:**

**Overall Case Size:** 173mm x 25.4mm x 39.9mm - 22.2mm Backset (7/8")  
 173mm x 25.4mm x 41.4mm - 24.6mm Backset (31/32")  
 173mm x 25.4mm x 45.2mm - 28.6mm Backset (1 1/8")  
 173mm x 25.4mm x 57.1mm - 38.1mm Backset (1 1/2").

- Case:** Steel with corrosion-resistant plating.
- Backset:** 22.2mm, 24.6mm, 28.6mm, 38.1mm.
- Lock Bolt:** 75mm x 15.9mm. 8 Ply Laminated Steel with Alumina-Ceramic Anti-Saw Core.
- Bolt Throw:** 34.9mm (Barbolt), 20.6mm (Hookbolt).
- Mechanism:** Carbon Steel Actuating Mechanism.
- Cylinder:** Any standard 29.4mm (1 5/32") Mortice Cylinder or Thumbturn with MS® cam.
- Operation:** 360° turn of key or thumbturn. Key only removable when bolt is positively locked or unlocked.
- Door Type:** Aluminium only. (See MS®1850SNSI for Steel & Timber)
- Door Gap:** 3mm - 5mm.
- Two Point Locking:** Specify 4015 Threshold Bolt.
- Forend:** Steel, with aluminium faceplate.

**ORDERING CODES:**

**Lock Bodies (Barbolt Deadlock)**

- 1850-110 22.2mm (7/8") Backset
- 1850-210 24.6mm (31/32") Backset
- 1850-310 28.6mm (1 1/8") Backset
- 1850-410 38.1mm (1 1/2") Backset

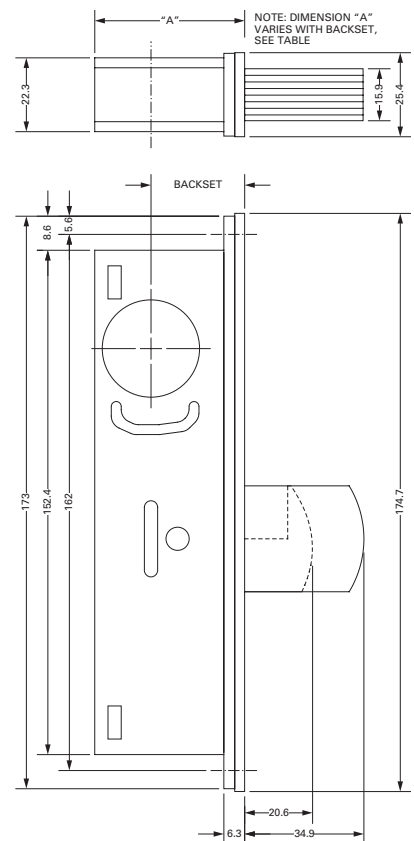
**Lock Bodies (Hookbolt Deadlock)**

- 1850-150 22.2mm (7/8") Backset
- 1850-250 24.6mm (31/32") Backset
- 1850-350 28.6mm (1 1/8") Backset
- 1850-450 38.1mm (1 1/2") Backset

**Faceplates (SAA Finish)**

- 24-1850-010-628 Flat Bar Lock
- 24-1850-050-628 Flat Hook Lock

**Note:** The above locks are also available with Microswitch Monitoring; add '-02' to end of code, (Hook Bolt only) e.g. 1850-150-02. Cylinders, thumbturns and faceplates not supplied as standard; order separately. To specify alternative faceplate type, replace '0' with '1' for Radius, '2' for Left Hand Bevel, '3' for Right Hand Bevel or '4' for Radius Weatherstrip. 628 denotes Satin Anodised Finish-substitute 628 with 313 for Bronze, or 335 for Black.



**MS®1890**  
**Latch/Deadlatch**

The Adams Rite MS® + 1890 provide both maximum security after hours and convenient traffic control management during the day.

**Key Benefits:**

- Suitable for use on aluminium doors.
- Both lock and latch bolts retracted for unrestricted entry and exit during business hours.
- Handle-operated latch for exit-only traffic.
- Maximum security hookbolt for overnight locking.
- Non-handed.

**Related Hardware:**

Round Mortice Cylinders, MS®4043 Cylinder Guard Round Thumbturns, 4591 Paddle Handle, 4561 & 4565 Lever Handle & Thumbturn 4568 Lever Handle, 4505 Box Strikes

**SPECIFICATIONS:**

**Overall Case Size:** 195.9mm x 25.4mm x 40.6mm - 24.6mm Backset (31/32")  
195.9mm x 25.4mm x 44.4mm - 28.6mm Backset (1 1/8")  
195.9mm x 25.4mm x 57.1mm - 38.1mm Backset (1 1/2").

**Case:** Steel with corrosion-resistant plating.

**Backset:** 24.6mm, 28.6mm, 38.1mm.

**Latch Bolt:** 15.9mm x 15.9mm. Zinc Alloy with Delrin face.  
Handing reversible.

**Latch Bolt Throw:** 11.1mm.

**Lock Bolt:** 34.9mm x 15.9mm. 5 Ply Laminated Steel with patented Alumina-Ceramic Anti-Saw Core.

**Lock Bolt Throw:** 20.6mm.

**Cylinder:** Any standard 29.4mm (1 5/32") Mortice Cylinder or Thumbturn with MS® cam.

**Operation:** 360° turn of key throws or retracts deadbolt. When unlocked, further 120° turn retracts latchbolt.

**Door Gap:** Maximum 3mm.

**Forend:** Steel, with aluminium faceplate.

**ORDERING CODES:** Latch/Deadlock

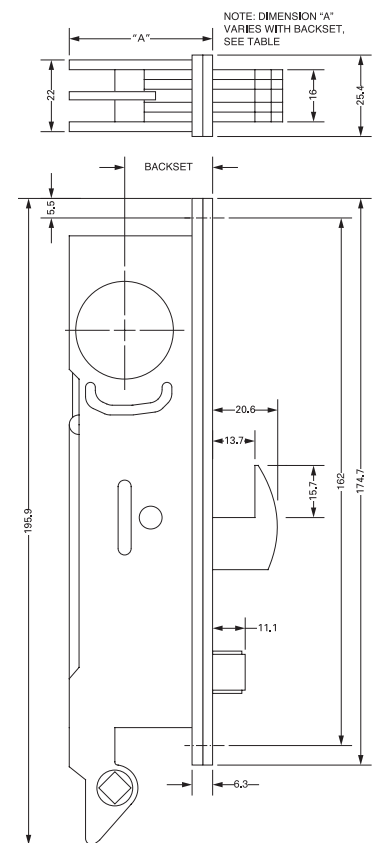
**Lock Bodies**

- 1890-250 24.6mm (31/32") Backset Hookbolt
- 1890-350 28.6mm (1 1/8") Backset Hookbolt
- 1890-450 38.1mm (1 1/2") Backset Hookbolt

**Faceplates (SAA Finish)**

- 24-1890-050-628 Flat Hook Lock
- 24-1890-150-628 Radius Hook Lock
- 24-1890-250-628 Left Hand Bevel Hook Lock
- 24-1890-350-628 Right Hand Bevel Hook Lock
- 24-1890-450-628 Radius Weatherstrip Hook Lock

Note: Cylinders, thumbturns and faceplates not supplied as standard; order separately.  
628 denotes standard Satin Anodised Finish-substitute 628 with 313 for Bronze, or 335 for Black



Backset	Dimension "A"
24.6mm	40.6mm
28.6mm	44.4mm
38.1mm	57.1mm

**4710  
Heavy Duty Deadlatch**

The Adams Rite 4710 heavy duty Deadlatch offers flexible traffic control and an excellent level of security. When used in emergency exit applications with a 4591 Paddle Handle, the assembly must use the 8461 ramped jaw strike in order to conform to BS EN 179+A1:2001

**Key Benefits:**

- The Auxiliary bolt feature deadlocks the latch when the door is closed against the strike.
- Operates using mortice cylinder, thumbturn (both with MS® cam) or range of Adams Rite furniture.
- It is often used in conjunction with 7100 series Electric Strikes to provide remote access control.
- Suitable for use on aluminium doors.
- The latch is interchangeable without stile modification with the MS® 1850S Deadlock.
- Latchbolt reversible and supplied non handed unless specified.
- Maximum operational door gap is 5mm.
- Independently tested to 1 million cycles.

**Related Hardware:**

Round Cylinders, MS®4043 Cylinder Guard, Round Thumbturns, 4561 & 4565 Lever Handle & Thumbturn, 4568 Lever Handle, 4591 Paddle Handle, 8461 Ramp Jaw Strikes, 7100 Series Electric Strikes

**SPECIFICATIONS:**

**Overall Case Size:** 173mm x 25mm x 38.3mm - 22.2mm Backset (7/8")  
 173mm x 25mm x 40.6mm - 24.6mm Backset (31/32")  
 173mm x 25mm x 44.7mm - 28.6mm Backset (1 1/8")  
 173mm x 25mm x 54.4mm - 38.1mm Backset (1 1/2").

**Case:** Steel with corrosion-resistant plating.  
**Backset:** 22.2mm, 24.6mm, 28.6mm, 38.1mm.  
**Latch Bolt:** 25.4mm x 12.7mm. ZA-27 Zinc, Chrome Plated, Hardened Steel Internal Pins, plus Anti-Pick baffle.  
**Latch Throw:** 12.7mm.  
**Cylinder:** Any standard 29.4mm (1 5/32") Mortice Cylinder or Thumbturn with MS® cam.  
**Operation:** Turn key/thumbturn or handle to retract latch bolt.  
**Door Gap:** Maximum 5mm.  
**Forend:** Steel, with aluminium faceplate.

**ORDERING CODES:**

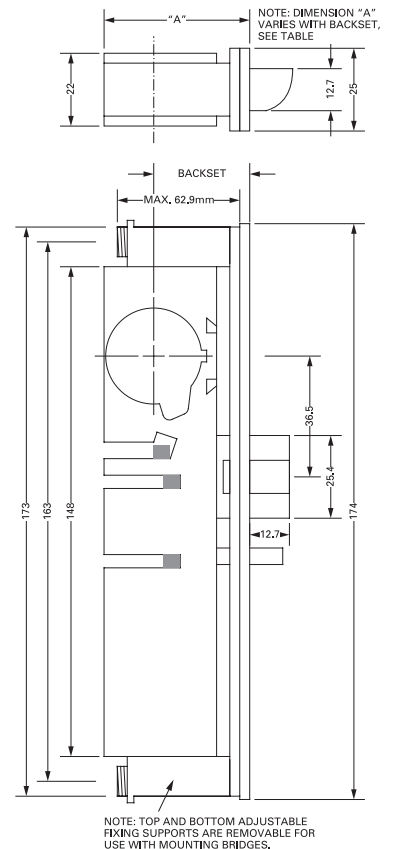
**Lock Bodies (Deadlatch)**

4750-200-5 24mm Backset LH  
 4750-200-6 24mm Backset RH  
 4710-100 22.2mm (7/8") Backset  
 4710-200 24.6mm (31/32") Backset  
 4710-300 28.6mm (1 1/8") Backset  
 4710-400 38.1mm (1 1/2") Backset

**Faceplates (SAA Finish)**

24-4700-000-628 Flat  
 24-4700-100-628 Radius  
 24-4700-200-628 Left Hand Bevel  
 24-4700-300-628 Right Hand Bevel  
 24-4700-400-628 Radius Weatherstrip

**Note:** Cylinders, thumbturns and faceplates not supplied as standard; order separately. 628 denotes standard Satin Anodised Finish, substitute 628 with 313 for Bronze, or 335 for Black





**3080 & 3080E Series  
Standard and Electrified Entry Trims**

The Adams Rite 3080 and 3080E standard and electrified entry trims are supplied for use with the Adams Rite 900 series Touch Bar Exit Devices, 4710/4720 series Deadlatches and the 4781 two point latch.

**Key Benefits:**

- Suitable for use on aluminium, timber and steel doors.
- The 3080 and the 3080E have cylinder operation facility allowing key holder control.
- The 3080 series feature an innovative clutch that protects a locked lever against upward and downward pull.
- The 3081E/3082E/3083E models are identical in appearance to the standard versions, but are suitable for use with most access control systems.
- Range of finishes: dark bronze, black and silver. Special finishes available on request.
- AV in 12v or 24v DC options.

**Related Hardware:**

900 Series Panic Exit Device Range, 4710/4910 Series Deadlatches, 4720ANSI/4920ANSI Series Deadlatches 4036 Cylinders, 4781 Two Point Latch, 4591 Paddle Handle.

**SPECIFICATIONS:**

- Dimensions:** See opposite
- Material:** Mild steel body, with clip-on stainless steel trim and zinc alloy lever.
- Projection:** See opposite
- Cylinder:** Any standard 29.4mm mortice cylinder with MS® cam (not supplied).
- Standards:** All models ANSI/BHMA Grade 1.
- Finishes:** Dark bronze, black, silver.
- Override:** Available with or without cylinder override.
- Electrified 'E' Version:**
- Current draw** 12vDC=0.5A, 24vDC=0.25A.
- Voltage tolerance:** ±10%.
- Operation:** Fail-safe or fail-secure.

**ORDERING CODES:**

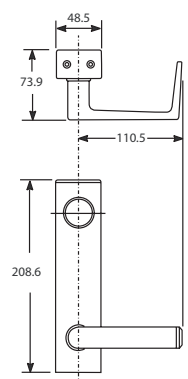
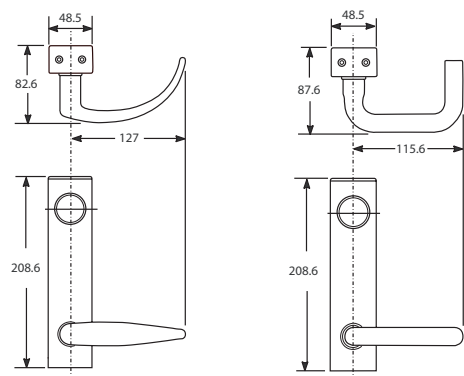
**Standard Models**

- 3081-3U-626 Entry Trim with cylinder cutout  
 3082-3U-626 Entry Trim with cylinder cutout  
 3083-3U-626 Entry Trim with cylinder cutout

**Electrified 'E' Models - 12vDC**

- 3081E-3U-35-626 Fail Safe with cylinder cutout  
 3081E-3U-30-626 Fail Secure with cylinder cutout  
 3082E-3U-35-626 Fail Safe with cylinder cutout  
 3082E-3U-30-626 Fail Secure with cylinder cutout  
 3083E-3U-35-626 Fail Safe with cylinder cutout  
 3083E-3U-30-626 Fail Secure with cylinder cutout

**Note:** 24vDC and models without cylinder cutout are also available upon request.



Backset	Dimension "A"
24.6mm	40.6mm
28.6mm	44.4mm
38.1mm	57.1mm

**4593 and 4593E  
Standard and Electrified Latch Pull**

The Adams Rite standard and electrified latch pull provide outside activation to an aluminium door fitted with a deadlatch or exit device.  
The 4593 and 4593E is for use on standard 44.45mm aluminium, timber or steel doors.

**Key Benefits:**

- Offers ease of use and greater flexibility for narrow, medium and wide aluminium doors with Adams Rite 4710/4910/4720/4920 Deadlatches and 930/940 Series exit device Latches
- A simple pull of the handle unlatches the door, the handle is spring loaded to return to the centre
- By using the 4593E electrified version, the latch pull handle can be integrated with most access control systems and used with card readers, keypads and other access control devices
- Passage functionality on all models
- Suitable for use on aluminium, timber and steel doors

**Related Hardware:**

RiteKey Keypad, Door Loop and Push-to-Exit Button, Power Supply Unit, 4710 Heavy Duty Deadlatch, 4720ANSI Deadlatch, 930/940 Series Exit Devices, 4591 Paddle Handle

**SPECIFICATIONS:**

- Dimensions:** See opposite.
- Material:** Zinc alloy body and handle.
- Projection:** See opposite.
- Cylinder override:** Any standard 29.4mm mortice cylinder with MS® cam (not supplied).
- Options:** Latch guard (91-0452-130), 'E' function.
- Finishes:** Dark bronze, black, silver. Other finishes available on special order.
- Operation:** Pull handle 27° to unlock/unlatch.
- Available in 2 modes:** Lock after each activation or latch only (passage function). Key operation from outside unlocks the handle to activate the deadlatch.
- Electrified 'E' Version:** Current draw: 12vDC=0.66A, 24vDC=0.33A. Solenoid rated for continuous duty operation.
- Voltage tolerance:** ±10%.

**Ordering Codes:**

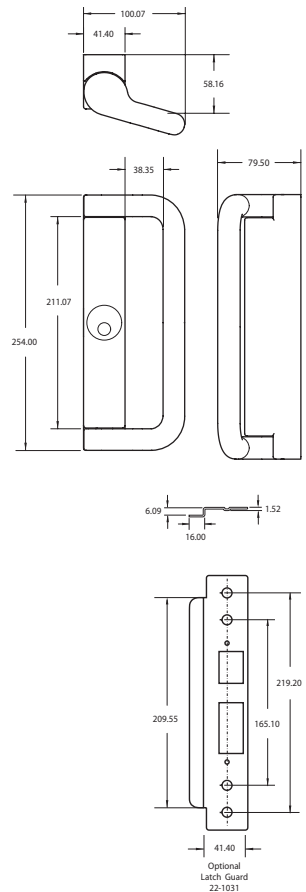
**Standard Latch**

- 4593-08-130 Pull to Left  
4593-07-130 Pull to Right

**Electric Latch**

- 4593E-08-130-12 Pull to Left 12vDC  
4593E-08-130-24 Pull to Left 24vDC  
4593E-07-130-12 Pull to Right 12vDC  
4593E-07-130-24 Pull to Right 24vDC  
22-1031-130 Optional Latch Guard

**Note:** 130 denotes silver paint finish, substitute 130 with 121 for bronze or 119 for black.



**4070 Deadlock**

The Adams Rite 4070 Deadlock is for use where a long throw maximum security deadlock cannot be accommodated.

**Key Benefits:**

- Operation is via standard mortice cylinder or thumbturn with (modified cam) from either or both sides.
- Suitable for use on aluminium and steel doors.
- Offers longest practical throw for a conventionally projected bolt from a narrow stile.

**Note:** Cylinders, thumbturns, faceplates and strikes not supplied as standard; order separately.

**Note:** Standard 29.4mm (1 5/32") Mortice Cylinders can be used when fitted with the supplied modified cam.

**SPECIFICATIONS:**

**Overall Case Size:** 143mm x 25.4mm x 38.6mm - 22.2mm Backset (7/8")  
 143mm x 25.4mm x 41.7mm - 24.6mm Backset (31/32")  
 143mm x 25.4mm x 45.0mm - 28.6mm Backset (1 1/8").

**Case:** Steel with corrosion-resistant plating.

**Backset:** 22.2mm, 24.6mm, 28.6mm.

**Lock Bolt:** 32mm x 16mm.

**Lock Bolt Throw:** 15.9mm.

**Cylinder:** Any standard 29.4mm (1 5/32") Mortice Cylinder or Thumbturn with modified cam.

**Operation:** 180° turn of key (or thumbturn) projects or retracts bolt.

**Door Gap:** Maximum 3mm.

**Forend:** Steel, with aluminium faceplate (flat or radius).

**Strike Plate:** 69.5mm x 25.4mm x 3mm.

**ORDERING CODES:**

**Lock Bodies - Deadlock**

- 4070-10 22.2mm (7/8") Backset
- 4070-20 24.6mm (31/32") Backset
- 4070-30 28.6mm (1 1/8") Backset

**Faceplates - SAA Finish**

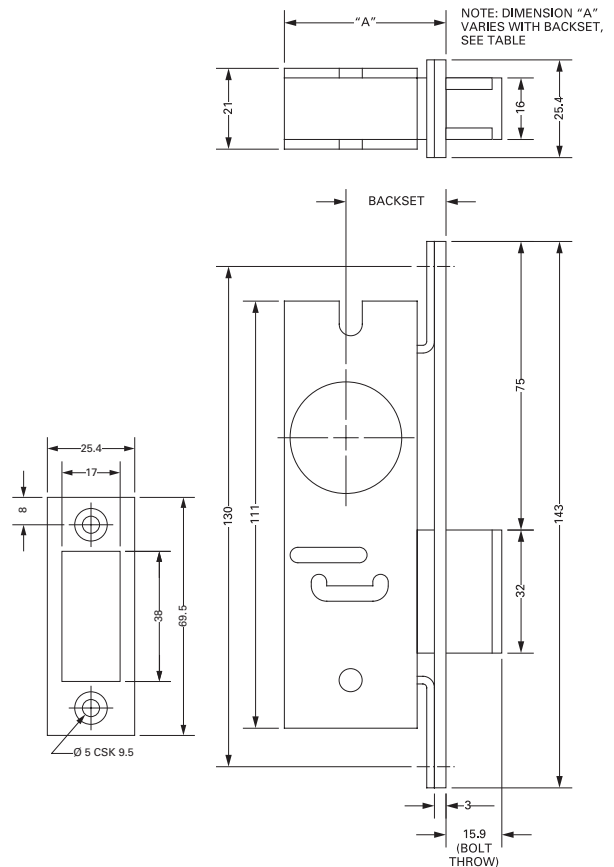
- 24-4070-000-628 Flat
- 24-4070-100-628 Radius

**Strikes**

- 4170-628 Trim Strike Aluminium

**Thumbturns - SAA Finish**

- 4066-02-628 Mortice Thumbturn, for use with 4070 Series (c/w modified cam)



Backset	Dimension "A"
22.2mm	38.6mm
24.6mm	41.7mm
28.6mm	45.0mm

**4015 and 4022  
Threshold Bolts for MS®1850 and MS®2200 Deadlocks**

The Adams Rite 4015 and 4022 threshold bolts for MS®1850 and MS®2200 Deadlocks provide additional locking points to the threshold.

**Key Benefits:**

- Suitable for use on aluminium and steel doors.
- The 4022 is designed to give second or third point locking to any MS®2200 series Deadlock; a second 4022 is simply added to provide the third locking point.
- The 4015 has additional locking points to threshold.
- The 4015 can be added to any version of 1850 deadlatch.

**Related Hardware:**

MS®1850S Maximum Security Deadlock, MS®1850SNSI Maximum Security Deadlock, MS®2200 Maximum Security Deadlock

**SPECIFICATIONS:**

**Cylinder Height:** 1333mm maximum (4015) 1300mm maximum (4022 2 & 3-point).

**Door Height:** 2600mm maximum (4022 3-point).

**Material:** Mild Steel.

**Thread:** 1/4" Whitworth.

**Operation:** Turn of key; rods move as deadbolt pivots.

**Ordering Codes:**

**4015-18** Rod & Bolt Kit for MS®1850 Deadlock for use with swing door

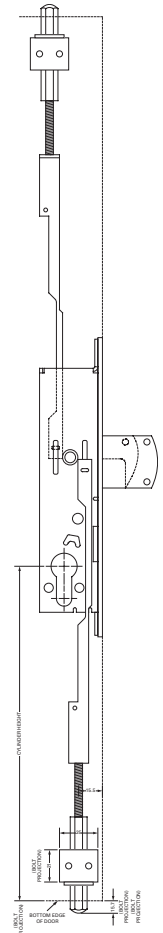
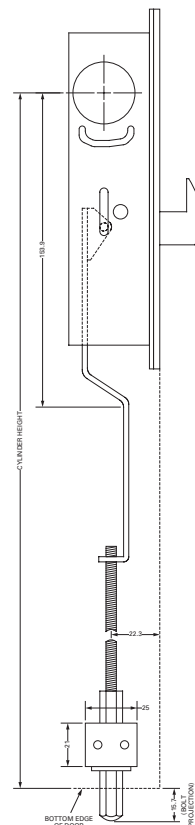
**4022-18** Rod & Bolt Kit for MS®2200 Deadlock for use with swing door



**4022-18** for use with MS®2200 Deadlock.

**4015-18** for use with MS®1850 Deadlock.

**Note:** Two required for top and bottom locking.



**ARC-51 N**  
**Overhead Concealed Door Closer and 'Springless' Pivot**

The Adams Rite ARC-51 N is designed to provide a controlled closing of a single or double action aluminium doors

**Key Benefits:**

- Suitable for use on aluminium doors
- Dual closing speeds to allow flexibility in its closing action, three levels of spring tension, 90° hold-open facility
- Comprehensive fixing pack including a fixing channel
- Heavy duty pivot supplied as standard
- Three levels of spring strength
- The overhead concealed ARC-51 N spring less version uses a standard section preparation allowing installation of a surface mounted power assisted closer to aid compliance with the requirements of the DDA
- Variety of arms and brackets to suit most applications

**SPECIFICATIONS:**

**Dimensions:** 292mm x 90mm

**Concealed Thickness:** 37.5mm

**Door Suitability:** See table for maximum door sizes/weights.

**Closing Speed:** Initial closing and latching speeds are factory preset and fully adjustable on site.

**Lubrication:** Stable hydraulic fluid suitable for most climatic conditions and constant lubrication.

**Features:** Built-in positive back stop and optional 90° hold open position.

**Note:** On single action centre-pivot doors it is recommended that a local door stop is fitted at the head to prevent the door swinging through when using electric strikes and latches.

**ORDERING CODES:**

- 5112-1010N Standard light spring and non hold-open, 70mm pivot centre
- 5112-2010N Standard light spring and 90° hold-open, 70mm pivot centre
- End load, anti-finger trap bracket, 65mm pivot centre**
- 5112-1995N light spring and non hold-open
- 5112-2995N light spring and 90° hold-open
- 5113-1995N medium spring and non hold-open
- 5113-2995N medium spring and 90° hold-open
- 5114-1995N heavy spring and non hold-open
- 5114-2995N heavy spring and 90° hold-open

**Standard, 70mm pivot centre**

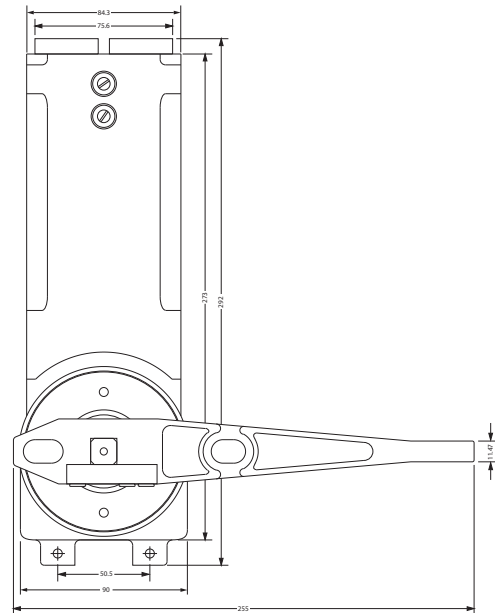
- 5113-1010N medium spring and non hold-open
- 5113-2010N medium spring and 90° hold-open
- 5114-1010N heavy spring and non hold-open
- 5114-2010N heavy spring and 90° hold-open
- 5123-1010N medium spring, 22mm spindle and non hold-open
- 5123-2010N medium spring, 22mm spindle and 90° hold-open

**Side load, anti-finger trap bracket, 70mm pivot centre**

- 5113-1990N medium spring and non hold-open
- 5113-2990N medium spring and 90° hold-open

**'Springless' Overhead Concealed Door Pivot Version:**

- 5119-0010N Standard side load application
- 5119-0090N Side load anti finger trap application, 70mm pivot centre
- 5119-0097N End load anti finger trap application, 70mm pivot centre
- 5119-0092N Side load anti finger trap application, 65mm pivot centre
- 5119-0095N End load anti finger trap application, 65mm pivot centre



Spring Strength	Maximum Door Width	Maximum Door Height	Maximum Door Weight
Light	850mm	2500mm	40kg
Medium	950mm	2500mm	60kg
Heavy	1100mm	2500mm	80kg

Spindle Length	From body to end spindle	Total Depth
14mm	18mm	56mm
18mm	22mm	60mm
22mm	26mm	64mm

**1870**

**Cylinder-Operated Flushbolt**

The Adams Rite 1870 Cylinder Operated Flushbolt is designed as an alternative to flip-lever operated flushbolts.

**Key Benefits:**

- Suitable for use on aluminium and steel doors.
- It offers building management key control of the inactive leaf of paired doors, thus preventing unauthorised operation.
- Recommended for installation at both top and bottom of an inactive door, with Adams Rite Maximum Security lockcase in the active

**Related Hardware:**

Round Cylinders, MS®4043 Cylinder Guard), Round Thumbturns

**Note:** Cylinders, thumbturns and faceplates not supplied as standard; order separately.

**SPECIFICATIONS:**

**Overall Case Size:** 174.6mm x 31.7mm x 41.4mm - 24.6mm Backset (31/32")  
 174.6mm x 31.7mm x 45.2mm - 28.6mm Backset (1 1/8")

**Cylinder Height:** 304.8mm (12") (Cylinder centreline to retracted bolt tip).  
 ±31.75mm adjustment possible.

**Case:** Steel with corrosion-resistant plating.

**Backset:** 24.6mm, 28.6mm.

**Bolt:** 9.5mm (flat to flat). Hexagonal, hardened steel.

**Bolt Throw:** 17.5mm.

**Operation:** 360° turn of key throws or retracts hardened hex-section bolt.  
 Key only removable when bolt in positively locked or unlocked position.

**Cylinder:** Any standard 29.4mm (1 5/32") Mortice Cylinder or Thumbturn with MS® cam.

**Strike:** 12.7mm diameter hole in metal threshold or header is suitable.

**Forend:** Steel, with aluminium faceplate.

**ORDERING CODES:**

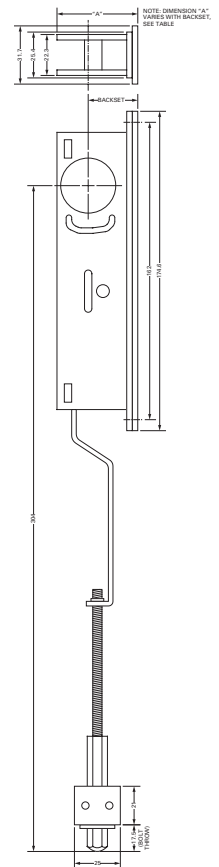
**Lock Bodies, Backset Cylinder Operated Flushbolt**

1870-200	24.6mm (31/32")
1870-300	28.6mm (1 1/8")

**Faceplates - SAA Finish**

24-1870-000-628	Flat
24-1870-100-628	Radius
24-1870-200-628	Left Hand Bevel
24-1870-300-628	Right Hand Bevel
24-1870-400-628	Radius Weatherstrip

**Note:** 628 denotes Satin Anodised Finish substitute 628 with 313 for Bronze.



**MS®4000**

**Armoured-Parts, Trim Strikes and Box Strikes**

The Adams Rite MS®4000 range are for the use with MS®1850, MS®2200 Deadlocks and MS® +1890 Latch/Deadlock. Designed to increase the protection to the bolt when in the locked position.

**Key Benefits:**

- Suitable for use on aluminium and steel doors.
- Enhances overall security.
- Available for hookbolt and barbolt lockcases.
- Prevent the forced method of entry known as 'jambpeeling'.
- Protects the 'soft' part of the door.
- Full range of trims and box strikes available dependent on model.

**Related hardware:**

MS®1850S Maximum Security Deadlock, MS®1850SNSI Maximum Security Deadlock, MS®2200 Maximum Security Deadlock, MS®+1890 Latch/Deadlock

**SPECIFICATIONS:**

**Dimensions:** 270mm x 32mm x 21mm (4002)  
 (including Trim Strike) 270mm x 25.4mm x 21mm (4052)  
 152mm x 48mm x 22mm (4505).

**Material:** Steel with corrosion-resistant plating.

**Trim Strike:** Aluminium, supplied.

**Box Strike:** For use with MS®+1890. Strike stainless steel, box mild steel.

**ORDERING CODES:**

**Trim Strike For Barbolt - SAA Finish**

- 4000-011-628 Flat for use with MS®1850SNSI Barbolt
- 4000-012-628 Flat for use with MS®1850S Barbolt
- 4000-111-628 Radius for use with MS®1850SNSI Barbolt
- 4000-112-628 Radius for use with MS®1850S Barbolt
- 4051-012-628 Flat for use with MS®2200 Barbolt
- 4051-112-628 Radius for use with MS®2200 Barbolt

**Trim Strike for Hookbolt - SAA Finish**

- 4000-031-628 Flat for use with MS®1850SNSI Hookbolt
- 4000-032-628 Flat for use with MS®1850S Hookbolt
- 4000-131-628 Radius for use with MS®1850SNSI Hookbolt
- 4000-132-628 Radius for use with MS®1850S Hookbolt
- 4051-032-628 Flat for use with MS®2200 Hookbolt
- 4051-132-628 Radius for use with MS®2200 Hookbolt

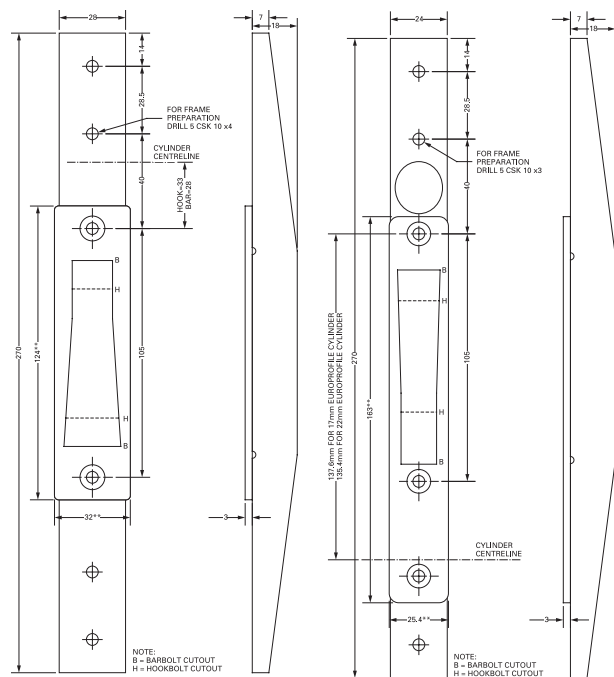
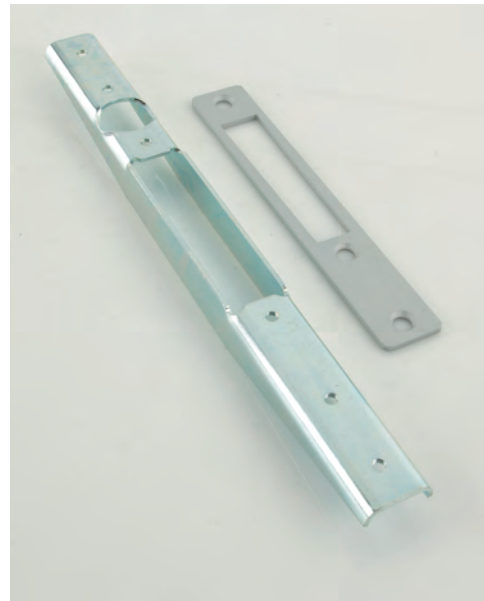
**Box Strike - for use with MS®+1890 Latch/Deadlock, SS Finish**

- 4505-01-630 Flat
- 4505-02-630 Radius
- 4505-17-630 Flat - Extended 101.6mm (4.0") Jamb
- 4505-21-630 Flat - Extended 114.3mm (4.5") Jamb

**Armoured Part**

- 4002-010 for use with MS®1850 Barbolt
- 4002-050 for use with MS®1850 Hookbolt
- 4052-010 for use with MS®2200 Barbolt
- 4052-050 for use with MS®2200 Hookbolt

**Note:** 628 denotes Satin Anodised and 630 Stainless Steel (SS) finish. Trim Strikes are available in Bronze (313) and Black (335) finishes by special order.



**8360, 8460 & 8461  
Ramp Jaw Strikes**

The Adams Rite 8360, 8460 & 8461 Ramp Jaw Strikes are designed to work in conjunction with the 900 Series Mortice Exit Devices and the 4700 Series Deadlatches.

**Key Benefits:**

- Offers a range of flat lip extensions to cater for a variety of jamb widths, also radius and thermally broken sections.
- 8460 range suits 940 range.
- 8360 suits 930 and 4720/4920.
- E8461 has reduced jaw opening to suit 4700 series latch.
- Suitable for use on aluminium and timber doors.
- Ramp jaw leads out latchbolt reducing wear on mechanism and gives compliance with EN 1125/179 where required.
- Slim version to aid installation into thermally broken doors.

**Related Hardware:**

930 Series Exit Device, 940 Series Exit Device, 4710 Heavy Duty Deadlatch 4910 Heavy Duty Deadlatch, 4720ANSI Deadlatch, 4920ANSI Deadlatch 4750 Deadlatch, 4591 Push Paddle Handle, 4596 Push Paddle Handle

**SPECIFICATIONS:**

- Dimensions:** See opposite.  
**Strike Plate:** Stainless steel.  
**Mounting Box:** Non-ferrous casting.  
**(8460 only)**  
**Finish:** Brushed stainless steel.

**To conform with BS EN 1125:2008**

The 8460 strikes must be used with the 940 Series Exit Device (flat version included as standard with product).

**To conform with BS EN 179:2008**

The 8460/E8461 strike must be used with the: 4710/4910 Heavy Duty Deadlatch and 4591 Push Paddle Handle 4750 Heavy Duty Deadlatch and 4596 Push Paddle Handle.

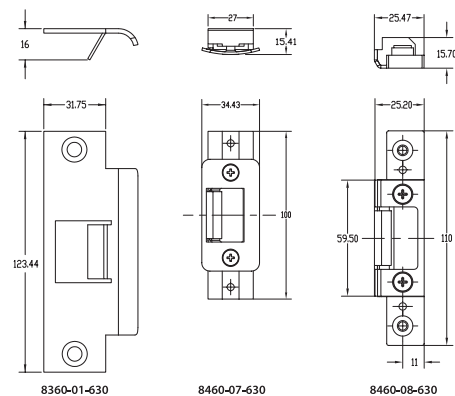
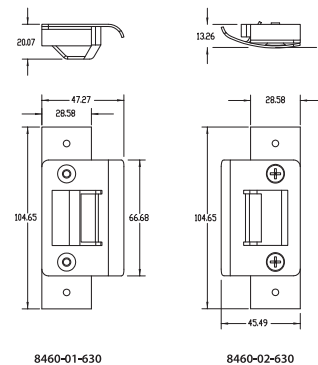
**To conform with BS EN 179:2008**

The 8360 strike must be used with the: 4720ANSI/4920ANSI Deadlatch and 4591 Push Paddle Handle.

**ORDERING CODES:**

**Ramp Jaw Latch Strike - SS Finish**

- 8360-01-630** Flat, for use with 4720ANSI/4920ANSI Deadlatch (Single and Double Doors).
- 8460-01-630** Flat, for use with 4910 Deadlatch (Single door frame section 45mm - 52mm).
- 8460-02-630** Radius, for use with 4910 Deadlatch (Double doors with radius section).
- 8460-17-630** Flat, Extended, for use with 4910 Deadlatch (to suit central mounting in flat frame section, 101.6mm (4") wide jambs).
- 8460-21-630** Flat, Extended, for use with 4910 Deadlatch (to suit central mounting in flat frame section, 114.3mm (4 1/2") wide jambs).
- E8461-01-630** Flat, for use with 4510/4710 Deadlatch (Single door frame section 45mm - 52mm).
- E8461-02-630** Radius, for use with 4510/4710 Deadlatch (Double doors with radius section).
- E8461-17-630** Flat, Extended, for use with 4510/4710 Deadlatch (to suit central mounting in flat frame section, 101.6mm (4") wide jambs).
- E8461-21-630** Flat, Extended, for use with 4510/4710 Deadlatch (to suit central mounting in flat frame section, 114.3mm (4 1/2") wide jambs).
- 8460-07-630** Radius Strike for rebated doors.
- 8460-08-630** Strike for thermally broken doors.



12



**4568 Lever Handle**

The Adams Rite 4568 lever Handle is for operation of 4700 Series Deadlatches (except 4750) and MS® + 1890 Latch/Deadlock.

**Key Benefits:**

- Downward action on lever handle retracts latchbolt.
- Range of finishes: 628 Satin Aluminium, 335 Black, 313 Bronze.
- Steel mounting base.
- Activator cam plug available and supplied with same versions.
- When used with MS® + 1890 latch/Deadlock, 4580 cam plug is omitted and spindle is extended to 22mm.
- For use on aluminium doors.

**Related hardware:**

4710 Heavy Duty Deadlatch, 4720ANSI Deadlatch, MS®+1890 Latch/Deadlock

**SPECIFICATIONS:**

**Escutcheon:** 100mm x 34mm. Steel mounting base.

**Material:** Cast aluminium.

**Spindle:** 6.35mm (1/4") on the diamond, heat treated. Interlocks with cam plug. Standard spindle lengths to suit 44.45mm (1 3/4") door thickness.

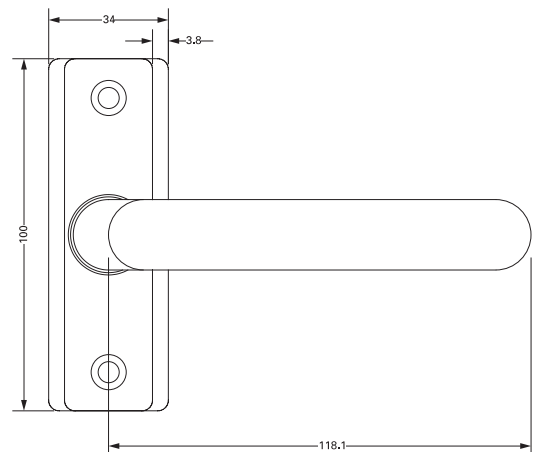
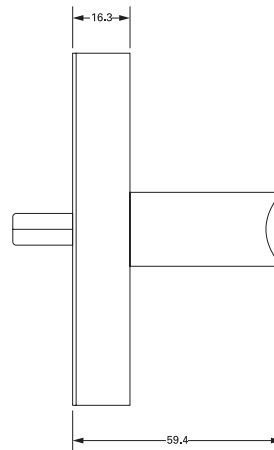
**Finishes:** 628 Satin Aluminium, 335 Black, 313 Bronze.

**Cam Plug:** Secured in latch by cylinder set-screw. Rigidly fixed to handle escutcheon by hardened steel pins. Handing reversible.

**ORDERING CODES:**

- 4568-012-121** Lever Handle  
Bronze Anodised Aluminium Finish, 22mm spindle length for use with MS®+1890 Series
- 4568-012-130** Lever Handle Satin Anodised Aluminium Finish, 22mm spindle length for use with MS®+1890 Series
- 4580** Cam Plug (reversible)
- 4568-501-130** Lever Handle Lefthand, Satin Anodised Aluminium Finish, 16mm spindle length supplied with Cam plug
- 4568-601-130** Lever Handle Righthand, Satin Anodised Aluminium Finish, 16mm spindle length supplied with Cam plug

**Note:** Other sizes are available for thicker doors; contact us for details. The 4568 is not suitable for use with the 4750 Deadlatch.



**4561 and 4565  
Lever Handle and Thumbturn**

The Adams Rite 4561 and 4565 Lever handle and Thumbturn are for operation of the 4700 Series deadlatches (except 4750) and MS® + 1890 Latch/Deadlock.

**Key Benefits:**

- When used with 4700 Deadlatches an activator cam plug is incorporated that mounts on the handle escutcheon and fits solidly into the cylinder aperture.
- Downward action on lever handle or thumbturn retracts latchbolt.
- For use on aluminium doors.

**Related Hardware:**

4710 Heavy Duty Deadlatch, 720ANSI Deadlatch, MS®+1890 Latch/Deadlock. The 4561 & 4565 are not suitable for use with the 4750 Deadlatch.

**SPECIFICATIONS:**

**Escutcheon:** 102mm x 34mm.

**Material:** Black Satin Nylon (4561), Satin Chrome finish thumbturn (4565).

**Spindle:** 6.35mm (1/4") on the diamond, heat treated. Interlocks with cam plug.

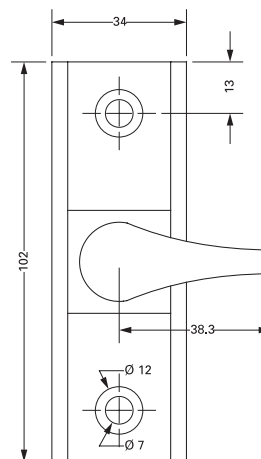
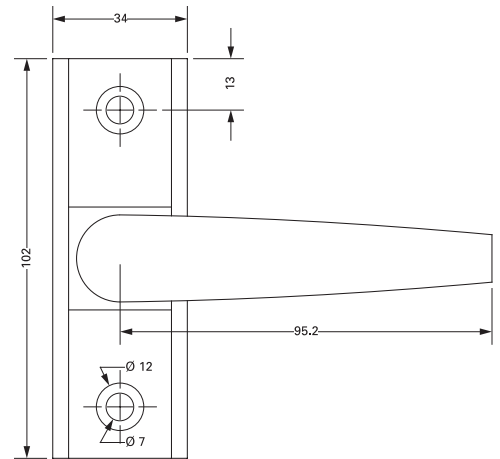
**Finishes:** Satin Aluminium, Black, Bronze (Ritecoat).

**Cam Plug:** Supplied. Secured in latch by cylinder set-screw. Rigidly fixed to handle escutcheon by hardened steel pins. Handing reversible.

**ORDERING CODES:**

- 4561-501-130** Lever Handle, Left hand, SA Finish, c/w Cam Plug, 16mm spindle length, for use with 4700 Series
- 4561-601-130** Lever Handle, Right hand, SA Finish, c/w Cam Plug, 16mm spindle length, for use with 4700 Series
- 4561-012-130** Lever Handle, SA Finish Escutcheon, No Cam Plug, 22mm spindle length, for use with MS®+1890 Series
- 4565-501-130** Thumbturn, Left hand, SA Finish, c/w Cam Plug, 16mm spindle length, for use with 4700 Series
- 4565-601-130** Thumbturn, Right hand, SA Finish, c/w Cam Plug, 16mm spindle length, for use with 4700 Series
- 4565-012-130** Thumbturn, SA Finish, No Cam Plug, 22mm spindle length, for use with MS®+1890 Series)

**Note:** Replace 130 with : 119 for Black Escutcheon or 121 for Bronze Escutcheon.



**4781 Two-Point Latch**

BS EN 179:2008

Classification Code 37601342BA/O

The Adams Rite 4781 Two-Point Latch using a combination of existing products (the 960 CVR Exit Device Rod Mechanism and the 4591 Paddle Handle) has been designed to satisfy the requirements where a full door width bar is undesirable for aesthetic or functional reasons.

**Key Benefits:**

- Suitable for use on timber and steel doors
- Full range of Entry Trims available
- Will accommodate any paddle height (from threshold to bolt to centre line of paddle) from 762mm (30") to 118mm (44") and any door height up to 1676mm (66") above the centre line
- Dogging facility supplied as standard
- Conforms with BS EN 179:1998+A1:2001
- Tall door kit available

**Related Hardware:**

4056 Round Cylinders, 8650 Escutcheon, 8066 Entry Trim, 3080 Entry Trim

**SPECIFICATIONS:**

- Escutcheon:** 105mm x 34mm x 58.7mm. Zinc Alloy, Black finish.
- Paddle:** 85mm x 125mm. Extruded Aluminium, available in Satin Anodised, Dark Bronze and Black.
- Operation:** Two modes: Push to Left or Push to Right.
- External Entry:** Optional; Mortice Cylinder (with MS® cam) and 8650 Cylinder Escutcheon, or 8066 Entry Trim and 3080 Entry trim

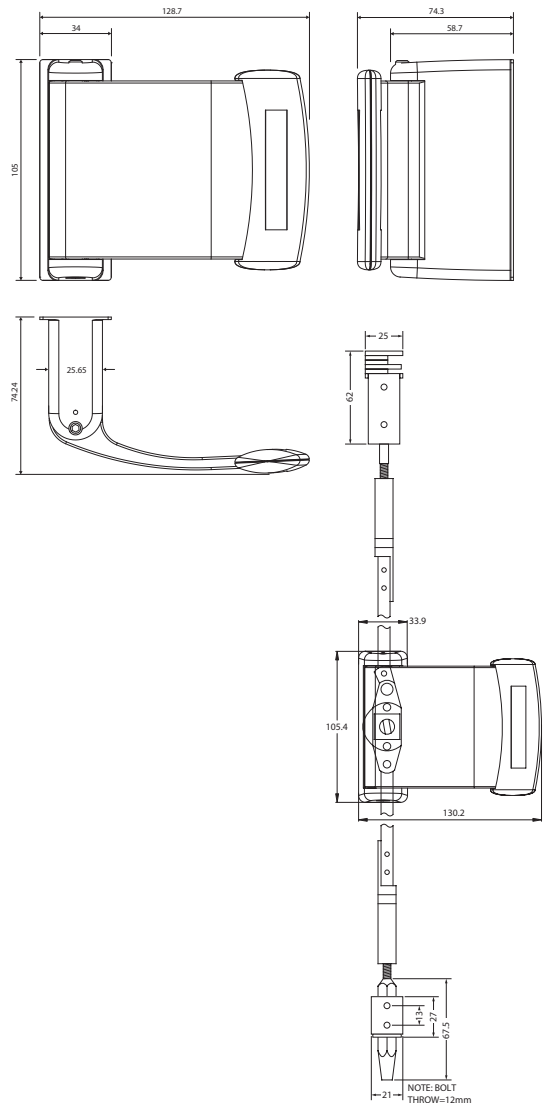
**Standards:**

In accordance with BS EN 179:2008 this product is designed to be used in emergency situations where people are familiar with the emergency exit and its hardware and therefore a panic situation is unlikely to develop. Where panic situations are foreseen, reference should be made to the Adams Rite 900 Series panic exit device range.

**ORDERING CODES:**

- 4781-021-628** Two point Latch Push To Left SAA Finish c/w Dogging Facility
- 4781-041-628** Two point Latch Push To Right SAA Finish c/w Dogging Facility

**Note:** 628 denotes Satin Anodised Finish - substitute 628 with 313 for Bronze, 335 for Black. Doors with stile wall thicker or thinner than nominal 3.2mm, (1/8") require factory modification to the device. Doors with overall thickness greater than 44.45mm (1 3/4") also require special modification to device if cylinder or entry trim actuation from outside is required.



**960 Series**

**Concealed Vertical Rod Exit Device**

BS EN 1125:2008

Classification Code 37601322BA

The Adams Rite 960 Series is a life safety device that uses concealed vertical rods (CVR) for commercial aluminium door applications. It is designed to provide life and safety security by use of a rotating top bolt and post type header strike.

**Key Benefits:**

- Suitable for use on aluminium doors
- Non-handed. The standard device will fit most 44.45mm stiles with a minimum of 32mm inside depth to clear the mechanism
- Will accommodate any bar height (from threshold bolt to centreline of bar) from 900mm to 1100mm and any door height up to 1676mm above the bar (a tall door kit is also available for door heights up to 2337mm above the centreline of the bar)
- Options Include: Monitoring, Cylinder Dogging and Tall Door Kits. If required the 960 series will accept any standard mortice cylinder (with MS® cam) from the outside by using the 8650 escutcheon, as well as the full range of Adams Rite Entry Trim
- Dogging as standard on all versions except 600mm

**Related Hardware:**

4056 Round Cylinder, 8650 Escutcheon, 8066 Entry Trim, 3080 and 3080E Series Entry Trims

**SPECIFICATIONS:**

**Projection:** 76.5mm from face of door.

**Push Bar Face Width:** 62mm.

**Back Bar Width:** 70mm.

**Door Opening Widths:** Five standard sizes - 600mm, 750mm, 900mm, 1050mm, 1200mm.

**Width Variations:** See dimensional limitations

**Push Bar:** Extruded Aluminium Alloy. Removable for Polyester Powder Coating if required.

**Dogging Facility:** Built-in. Operated by dogging key (two supplied).  
NOTE: Not available on 600mm door opening width bar.

**Standards:** Independently tested to the requirements of BS EN 1125:2008.

**Other:** 'Push bar to open' sticker included. Tall door kits are available.

**Note:** Where the commercial aluminium wall section is thicker or thinner than nominal 3.2mm, the device will require factory modification and therefore will be subject to a longer supply lead-in time. Doors with overall thickness greater than 44.45mm also require special modification to the device if cylinder or entry trim actuation from outside is required.



**ORDERING CODE MATRIX**

960 - 00 - 3 - 9 9 9 - 628

<b>Door Material</b>	960	Aluminium	_____
<b>Door Material</b>	00	Basic Model	_____
	01	Cylinder Dogging	_____
	02	Single Switch Monitoring	_____
	03	Double Switch Monitoring	_____
<b>Door Opening Width</b>	1	600mm	_____
	2	750mm	_____
	3	900mm	_____
	4	1050mm	_____
	5	1200mm	_____
<b>Handing</b>	9	Not Applicable	_____
<b>Faceplate Shape</b>	9	Not Applicable	_____
<b>Backset</b>	9	Not Applicable	_____
<b>Finish</b>	313	Dark 'Bronze' Aluminium	_____
	335	Black Aluminium	_____
	628	Satin Aluminium	_____
<b>Tall Door Kits (optional)</b>	8655-01		_____

**DIMENSION LIMITATIONS**

Series	Type	Bar Height (MM)	Min. Door Height (MM)	Max. Door Height (MM)	Max. Door opening Width (MM)	Min. Door opening Width (MM)
960	CVR	900 1100	2000 2200	2500	1200 1050 900 750 600	905 705 705 662 435

**940 Series Mortice Exit Device**

BS EN 1125:2008

Classification Code 37601322BA

The Adams Rite 940 Series Mortice Exit device is a life safety device designed to fit into commercial aluminium door applications.

**Key Benefits:**

- Suitable for use on aluminium doors
- The device has an all steel latch case with an oil impregnated solid brass bolt and deadlatching mechanism
- Available in backset of 24.6mm, 28.6mm and 38.1mm and requires a minimum door stile depth of 16.3mm greater than the backset
- Special versions available for doors thicker than 44.45mm and where longer strike lips are required for centre-hung doors
- Flat, bevelled, radius or radius with weatherstrip faceplates are available
- Unique tab system allows the flat faceplate to be used to suit bevelled sections on the 28.6mm & 38.1mm backset sizes
- Options include: Monitoring and Cylinder dogging
- Dogging as standard on all versions except 600mm
- Accepts only standard mortice cylinder (with MS® cam)

**Related Hardware:**

4056 Round Cylinder, MS® 4043 Cylinder Guard, 8066 Entry Trim, 3080 and 3080E Series Entry Trims, 7108 Electric Strike, 7128 Electric Strike, 4593 and 4593E Latch Pulls

**SPECIFICATIONS:**

- Projection:** 76.5mm from face of door.
- Push Bar Face Width:** 62mm.
- Back Bar Width:** 70mm.
- Door Opening Widths:** Five standard sizes - 600mm, 750mm, 900mm, 1050mm, 1200mm.
- Width Variations:** See dimensional limitations
- Push Bar:** Extruded Aluminium Alloy. Removable for Polyester Powder Coating if required.
- Dogging Facility:** Built-in. Operated by dogging key (two supplied).  
**NOTE:** Not available on 600mm door opening width bar.
- Case:** Steel with corrosion-resistant plating.
- Latch Backset:** 24.6mm\*, 28.6mm, 38.1mm.
- Latch Bolt:** 25.4mm x 16mm. Oil impregnated solid brass. Hardened steel internal pins, plus anti-pick baffle.
- Bolt Throw:** 15.3mm.
- Auxiliary Bolt:** Stainless Steel Pin.
- Door Gap:** Maximum 5mm.
- Forend:** Steel, with aluminium faceplate.
- Standards:** Independently tested to the requirements of BS EN 1125:2008.
- Handing:** Field adjustable.
- Other:** 'Push bar to open' sticker included



**ORDERING CODE MATRIX**

		<b>940 - 00 - 3 - 8 0 2 - 628</b>				
<b>Door Material</b>	<b>940</b>	Aluminium				
<b>Door Material</b>	<b>00</b>	Basic Model				
<b>Door Material</b>	<b>01</b>	Cylinder Dogging				
<b>Door Material</b>	<b>02</b>	Single Switch Monitoring				
<b>Door Material</b>	<b>03</b>	Double Switch Monitoring				
<b>Door Opening Width</b>	<b>1</b>	600mm				
<b>Door Opening Width</b>	<b>2</b>	750mm				
<b>Door Opening Width</b>	<b>3</b>	900mm				
<b>Door Opening Width</b>	<b>4</b>	1050mm				
<b>Door Opening Width</b>	<b>5</b>	1200mm				
<b>Handing</b>	<b>7</b>	RHR				
<b>Handing</b>	<b>8</b>	LHR				
<b>Faceplate Shape</b>	<b>0</b>	Flat (24.6mm backset only)				
<b>Faceplate Shape</b>	<b>1</b>	Radius (24.6mm backset only)				
<b>Faceplate Shape</b>	<b>2</b>	Bevelled (24.6mm backset only)				
<b>Faceplate Shape</b>	<b>4</b>	Radius with Weatherstrip (24.6mm backset only)				
<b>Faceplate Shape</b>	<b>U</b>	Universal (28.6 & 38.1mm backset only)				
<b>Backset (affects faceplate shapes available)</b>	<b>2</b>	24.6mm* (specify faceplate above)				
<b>Backset (affects faceplate shapes available)</b>	<b>3</b>	28.6mm (comes with universal faceplate pack)				
<b>Backset (affects faceplate shapes available)</b>	<b>4</b>	38.1mm (comes with universal faceplate pack)				
<b>Finish</b>	<b>313</b>	Dark 'Bronze' Aluminium				
<b>Finish</b>	<b>335</b>	Black Aluminium				
<b>Finish</b>	<b>628</b>	Satin Aluminium				

**DIMENSION LIMITATIONS**

Series	Type	Bar Height (MM)	Min. Door Height (MM)	Max. Door Height (MM)	Max. Door opening Width (MM)	Min. Door opening Width (MM)
930	Latch	900 1100	n/a	2500	1200	945
					1050	745
					900	745
					750	705
					600	475

**930 Series**

**Mortice Exit Device**

BS EN 1125:1997+A1:2001

Classification Code 37601322B

The Adams Rite 930 Series Mortice Exit Device is a life safety device which is designed to fit timber or hollow steel door applications.

**Key Benefits:**

- Suitable for use on timber and steel doors
- Available in two backset sizes, 38.1mm and 69.9mm
- Unique tab system on deadlatch allows the flat faceplate to be used to suit bevelled door sections
- Dogging as standard on all versions except 600mm
- The device has an all steel latch case with an oil impregnated solid brass bolt and deadlatching mechanism
- Options include: Monitoring and Cylinder dogging
- Accepts only standard mortice cylinder (with MS® cam) allowing external key access

**Related Hardware:**

4056 Round Cylinder, MS® 4043 Cylinder Guard (steel doors only), 8066 Entry Trim, 3080 and 3080E Series Entry Trims, 7128 Electric Strike

**SPECIFICATIONS:**

- Projection:** 76.5mm from face of door.
- Push Bar Face Width:** 62mm.
- Back Bar Width:** 70mm.
- Door Opening Widths:** Five standard sizes - 600mm, 750mm, 900mm, 1050mm, 1200mm.
- Width Variations:** See dimensional limitations
- Push Bar:** Extruded Aluminium Alloy. Removable for Polyester Powder Coating if required.
- Dogging Facility:** Built-in. Operated by dogging key (two supplied).
- NOTE:** Not available on 600mm door opening width bar.
- Case:** Steel with corrosion-resistant plating.
- Latch Backsets:** 38.1mm and 69.9mm.
- Latch Bolt:** 25.4mm x 16mm. Oil impregnated solid brass. Hardened steel internal pins, plus anti-pick baffle.
- Bolt Throw:** 15.3mm.
- Auxiliary Bolt:** Stainless Steel Pin.
- Door Gap:** Maximum 5mm.
- Forend:** Steel, with aluminium faceplate.
- Standards:** Independently tested to the requirements of BS EN 1125:1997+A1: 2001.
- Other:** 'Push bar to open' sticker included.



**ORDERING CODE MATRIX**

		<b>930 - 01 - 3 - 8 0 4 - 628</b>
<b>Door Material</b>		
<b>960</b> Aluminium	_____	
<b>Door Material</b>		
<b>00</b> Basic Model	_____	
<b>01</b> Cylinder Dogging	_____	
<b>02</b> Single Switch Monitoring	_____	
<b>03</b> Double Switch Monitoring	_____	
<b>Door Opening Width</b>		
<b>1</b> 600mm	_____	
<b>2</b> 750mm	_____	
<b>3</b> 900mm	_____	
<b>4</b> 1050mm	_____	
<b>5</b> 1200mm	_____	
<b>Handing</b>		
<b>7</b> RHR	_____	
<b>8</b> LHR	_____	
<b>Faceplate Shape</b>		
<b>0</b> Flat	_____	
<b>Backset</b>		
<b>4</b> 38.1mm	_____	
<b>5</b> 69.9mm	_____	
<b>Finish</b>		
<b>313</b> Dark 'Bronze' Aluminium	_____	
<b>335</b> Black Aluminium	_____	
<b>628</b> Satin Aluminium	_____	

**DIMENSION LIMITATIONS**

Series	Type	Bar Height (MM)	Min. Door Height (MM)	Max. Door Height (MM)	Max. Door opening Width (MM)	Min. Door opening Width (MM)
930	Latch	900 1100	n/a	2500	1200 1050 900 750 600	945 745 745 705 475

**4591M & 999M**

**Monitored Paddle Handle & Exit Device Switching Accessories**

The Adams Rite 4591M Paddle Handle is designed for simple push or pull operation as an alternative to a lever handle, for use with the 4700/4900 series deadlatch (except 4750) and the MS+1890/Deadlock.

**Key Benefits:**

- Designed as active dummy models where activation operates an integral microswitch to control the unlocking of Armlock® Magnetic locks or similar devices
- Available with both normally open and normally closed contacts to make or break a circuit
- Suitable for use on aluminium, timber and steel doors

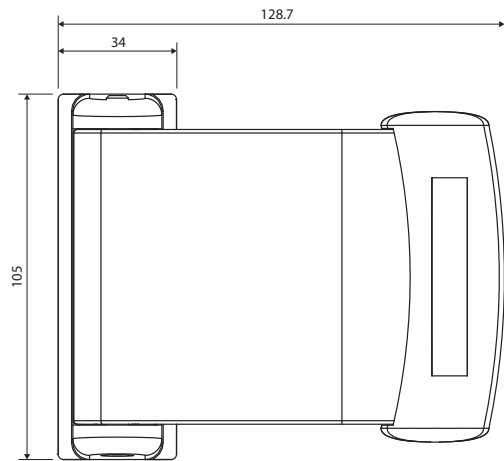
**Related Hardware:**

Armlock® 261 & 262 Direct Pull Magnets, Armlock® 281 Direct Pull Magnet, MS Maglock

**SPECIFICATIONS:**

**4591M Monitored Paddle Handle:**

- Escutcheon:** Zinc Alloy. 105mm x 34mm x 59mm. Black finish.
- Paddle:** Extruded aluminium. 84mm x 125.74mm. Maximum projection off face of door: 78mm. Satin anodised (628) finish.
- Operation:** 4 models: Push to left, push to right, pull to left and pull to right.
- Monitoring:** Single microswitch.
- Micro Switch:** Single pole double throw.
- 999M Exit Device:**
- Projection:** 76.5mm from face of door.
- Vertical Width:** 60mm.
- Opening Widths:** Four standard sizes - 750mm, 900mm, 1050mm, 1200mm.
- Width Variations:** 750mm bar can be cut down to 662mm, 900mm & 1050mm bars to 705mm, and 1200mm bar can be cut down to 905mm.
- Push Bar:** Extruded aluminium alloy. Removable for polyester powder coating if required.
- Dogging Facility:** Built-in, operated by dogging key (two supplied).
- Monitoring:** Option of single or double microswitches.
- Micro Switch:** Single pole double throw.
- Rated:** 125vAC - 3A; 30vDC - 2A.



**ORDERING CODES:**

**Paddle Handles, Active Dummy Monitored (SAA Finish)**

- 4591-01-628-01 Pull To Left
- 4591-03-628-01 Pull To Right
- 4591-02-628-01 Push To Left
- 4591-04-628-01 Push To Right

**Push Bar, Active Dummy (SAA Finish)**

- 999-02-3-999-628 Single Monitoring, 900mm length bar
- 999-03-3-999-628 Double Monitoring, 900mm length bar
- 999-02-4-999-628 Single Monitoring, 1050mm length bar
- 999-03-4-999-628 Double Monitoring, 1050mm length bar
- 999-02-5-999-628 Single Monitoring, 1200mm length bar
- 999-03-5-999-628 Double Monitoring, 1200mm length bar

**Note:** The above codes list the most popular variations; for additional models please contact us.

**4591 Paddle Handle**

BS EN 179:2008

Classification Code 37601342BAVO

The Adams Rite 4591 Paddle Handle is designed for simple push or pull operation as an alternative to a lever handle. For use with the 4700/4900 series deadlatch (except 4750) and the MS+1890 Latch/Deadlock.

**Key Benefits:**

- Suitable for use on aluminium and steel doors.
- Dogging comes as standard on all versions.
- The 4591, when used on the 4710/4910 and 4720/4920 series Deadlatch and used in conjunction with the 8461 Ramp Jaw Strikes or the 7108 and 7128 Electric Strikes, conforms to BS EN 179:2008 EC certificate of conformity number 1121-CPD-ABB013.

**Related Hardware:**

MS®+1890 Latch/Deadlock, 8461 Ramp Jaw Strike, 4710/4910 Series Deadlatches, 4720ANSI/4920ANSI Series Deadlatches

**SPECIFICATIONS:**

**Escutcheon:** 105mm x 34mm x 58.7mm (width of base flange).  
Zinc Alloy, Black finish.

**Paddle:** 85mm x 125mm.

**Max projection off face of door:** 74.24mm. Extruded Aluminium, available in Satin Anodised, Dark Bronze, Black.

**Spindle:** 6.35mm (1/4") on the diamond, heat treated. Interlocks with cam plug. Standard spindle lengths to suit 44.45mm (1 3/4") door thickness.

**Operation:** Four modes: Push to Left, Push to Right, Pull to Left and Pull to Right.

**Standards:**

In accordance with BS EN 179: 1998+A1: 2001 this product is designed to be used in emergency situations where people are familiar with the emergency exit and it's hardware and therefore a panic situation is unlikely to develop. Where panic situations are foreseen, reference should be made to the Adams Rite 900 Series panic exit device range.

**ORDERING CODES:**

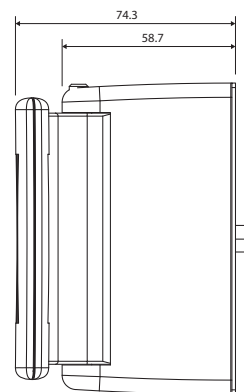
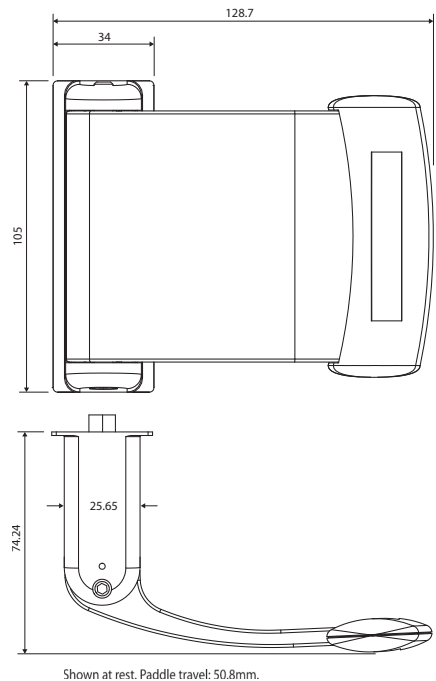
**Paddle Handle, 16mm spindle length, c/w Cam Plug, for use with 4700/4900 Series (SAA Finish)**

- 4591-01-01-628 Pull To Left
- 4591-03-01-628 Pull To Right
- 4591-02-01-628 Push To Left
- 4591-04-01-628 Push To Right

**Paddle Handle, 22mm spindle length for use with MS®+1890 Series**

- 4591-11-00-628 Pull To Left
- 4591-13-00-628 Pull To Right
- 4591-12-00-628 Push To Left
- 4591-14-00-628 Push To Right
- 4590-00-628 Mounting Plate, for use with timber door

**Note:** 628 denotes Satin Anodised Finish - substitute 628 with 313 for Bronze, 335 for Black. The 4591 is not suitable for use with the 4750 Deadlatch.





**4596**

**Europrofile Operation Paddle Handle**

BS EN 179:2008

Classification Code 37601342BA/O

The Adams Rite 4596 paddle handle is designed for simple push or pull operation as an alternative to a lever handle

**Key Benefits:**

- Suitable for use on aluminium and timber doors.
- Suits door thickness of 45, 52 and 54mm.
- The 4596 when used on the 4750 Deadlatch and used in conjunction with the 8461 Ramp Jaw Strikes or the 7108 and 7128 Electric Strikes, conforms to BS EN179:2008 EC Certificate of Conformity number 1121-CPD-ABBO13

**Related Hardware:**

4750 Deadlatch, 8460 Ramp Jaw Strike

**SPECIFICATIONS:**

**Escutcheon:** 105mm x 34mm x 58.7mm (width of base flange).  
Zinc Alloy, Black finish.

**Paddle:** 85mm x 125mm.

**Max projection off face of door:** 74.24mm. Extruded Aluminium, available in Satin Anodised, Dark Bronze, Black.

**Spindle:** 6.35mm (1/4") on the diamond, heat treated. Interlocks with cam plug. Standard spindle lengths to suit 44.45mm (1 3/4") door thickness.

**Operation:** Four modes: Push to Left, Push to Right, Pull to Left and Pull to Right.

**Standards:**

In accordance with BS EN 179: 1998+A1: 2001 this product is designed to be used in emergency situations where people are familiar with the emergency exit and it's hardware and therefore a panic situation is unlikely to develop. Where panic situations are foreseen, reference should be made to the Adams Rite 900 Series panic exit device range.

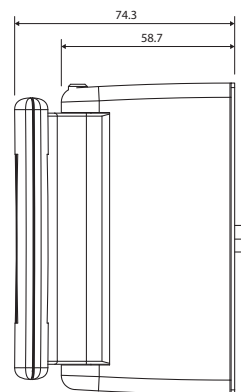
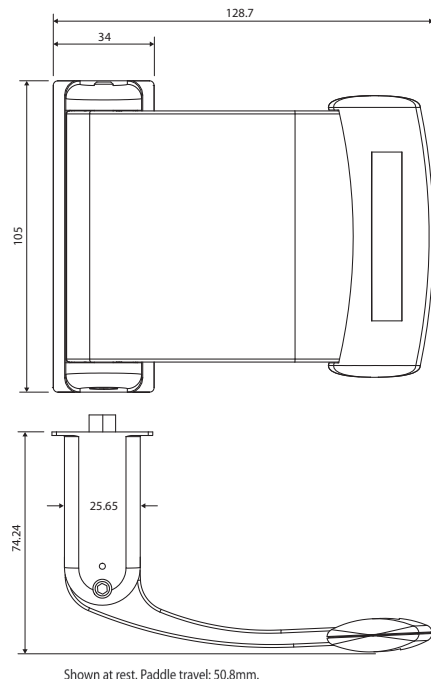
**ORDERING CODES:**

**Euro Paddle Handle, for 44mm doors (SAA Finish)**

- 4596-01-01-628 Pull To Left
- 4596-03-01-628 Pull To Right
- 4596-02-01-628 Push To Left
- 4596-04-01-628 Push To Right

**Note:** 628 denotes Satin Anodised Finish Substitute 628 with 313 for Bronze, 335 for Black.

**Note:** When fitting with a 1/2 cylinder use 61-00-30-0-1 Kitemarked cylinder



**Armlock® 1354  
Mini Electro-Shearmagnet**

The Adams Rite Armlock® 1354 is a mini Electro-Shearmagnet to facilitate remote access where minimal intrusion into the environment is required. The product caters for single or double action internal doors or external doors where a form of cover is situated above the doorway to prevent direct rain penetration.

**Key Benefits:**

- Compact slim line size - 30mm
- Nominal 1500kg shear holding force
- Adjustable locking time 1-30 secs
- Suitable for door gaps up to 8mm
- Supplied with 3m cable
- Non-handed
- CE Marked
- Mortise or surface versions
- Can be fitted into the head or vertical locking stile
- Suitable for aluminium, timber, steel and glass doors

**Related Hardware:**

RiteKey Keypad, Push-to-Exit Button, Power Supply Unit

**Note:** Positive closer required to return doors to correct rest position. For out of hours security specify the Sentinel 6 Deadlock in conjunction with the magnet.

**SPECIFICATIONS:**

**Magnet Dimensions:** Mortise magnet: 30mm x 164mm x 25mm. (excluding shear pins) Surface magnet: 38x 200x38mm.

**Adjustable Armature:** Mortise: 30mm x 164mm x 35mm.

**Surface:** 38mm x 200mm x 38mm.

**Magnet Material:** Electroless nickel plated steel in aluminium chassis.

**Finish:** Surface mounted housing finishes:

**Standard:** Brushed silver, gold or bronze anodised on request.

**Special:** Polished nickel, polished brass.

**Nominal Holding Force:** 1500kg (assuming correct installation/alignment).

**Supply Voltage:** Dual, 12 or 24vDC.

**Nominal Current Draw:** Pull in - 1.5A @ 12vDC, 1.5A @ 24vDC. Holding - 0.5A @ 12vDC, 0.4A @ 24vDC.

**Locking Gaps:** Distance between armature face and magnet face:

**12vDC:** Horizontal/vertical application - 4mm max.

**24vDC:** Horizontal/vertical application - 5mm max.

**Locking Tolerance:** Lateral - ± 2mm. Longitudinal - ± 5mm.

**Door Gap (sensor range):** Maximum 8mm.

**Locking Time:** Factory set at 1-2 seconds, adjustable up to 30 secs.

**Monitoring:** Precise anti-tamper monitoring of lock status using "hall effect" switch. Volt free changeover contacts rated @ 24vDC 1A for remote monitoring.

**Door Position Contacts:** Built-in door position switch. Note that an independent door position switch must be fitted in steel door applications (order 1354-0600 separately).

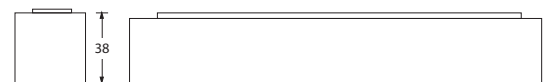
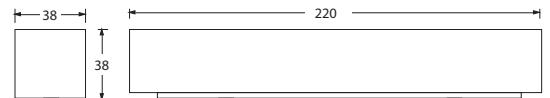
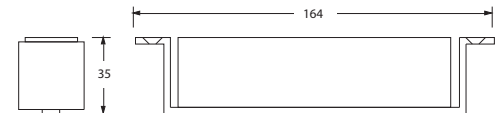
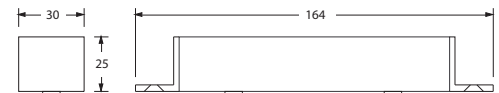
**Retry Facility:** Failure to lock due to slight misalignment will result in the lock automatically retrying, up to a further 100 times.

**Handing:** Non-handed.

**Cable Length:** 3m.

**Ambient Temperature:** Operating -20°C to +40°C. It is essential to use a fully rectified and regulated PSU with the 1354.

**Note:** To achieve immediate release, it is important that the release switch breaks the circuit on the positive supply to the magnet.



**ORDERING CODES:**

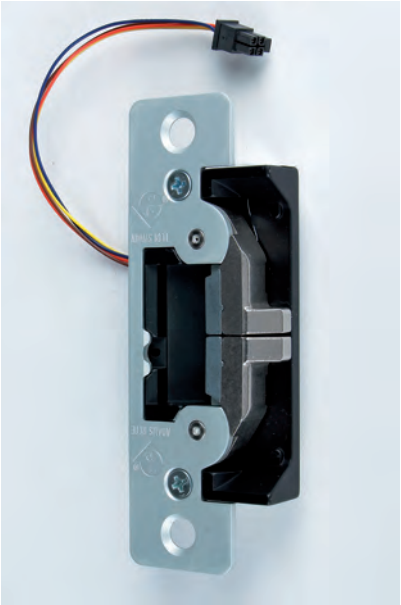
- 1354-0100** Mortise mounted Mini Electro-Shearmagnet, 12/24vDC, monitored.
- 1354-0102** Mortise mounted Mini Electro-Shearmagnet, 12/24vDC, monitored, complete with brushed silver anodised housing with black end caps.
- 1354-0201** Surface mounted Mini-Electro-Shearmagnet, 12/24vDC, monitored, brushed silver anodised housing with black end caps.
- 1354-0600** Flush mount contact.
- 1354-0306** Glass door fixing bracket for surface mounted Mini-Electro-Shearmagnet (one bracket required for each housing i.e glass door to glass head application will require two brackets). Adhesive is not included.
- 1354-0400** 50ml bottle of Loctite Adhesive type 317 (suitable for 8 to 10 applications).
- 1354-0500** 150ml spray can of Loctite Activator type 734 (suitable for 8 to 10 applications).

**7400 - 7401**  
**ULTRALINE Premium Electric Strike**

The ULTRALINE premium electric strike range has features that are unmatched in the industry. The innovative and compact robust stainless steel split-jaw design maintains the high level of security expected from Adams Rite while enabling release electrically with over 13kg of sideload pressure.

**Key Benefits:**

- Opens electrically with over 13kg of sideload pressure
- Compact depth – 27mm overall
- 907kg holding force
- Single solenoid operates at 12/24V AC/DC
- Field selectable fail safe or fail secure on strike body
- Adjustable jaw
- Low current draw
- Retrofits all previous Adams Rite strikes
- Tested to 500,000 cycles
- 3 years warranty
- Requires half the force to open compared with 7100, aiding compliance with Doc M requirements



**Related Hardware:**

4710 Deadlatch, 4750 Deadlatch, Ritekey Keypad, Push to Exit Button, Power Supply Unit

**Note:** For out of hours security specify the Sentinel 6 Deadlock in conjunction with the electric strike/latch combination. The 7400 range is not currently suitable for use in applications where compliance with EN179 or EN1125 is required.

**SPECIFICATIONS:**

**Current draw:** 12v AC=0.16A, 12v DC=0.44A, 24v AC=0.08A, 24v DC=0.23A DC intermittent and continuous units are silent, AC intermittent units 'buzz' on operation

**Voltage Tolerance:** +/- 10%

**Powered by:** Internal solenoid

**Monitoring:** (optional) Double latch and solenoid.

**Duty:** Fail safe or fail secure selectable on strike body (supplied in fail secure mode) DC required for fail safe operation Jaw strength: 907kg

**Case:** 85.6mm x 36mm x 27mm Zinc aluminium alloy

**Mechanism:** Stainless steel

**Strike opening:** 36.5mm x 15.9mm (adjustable) x 12.7mm

**Door gap:** Minimum 3mm, operational gap 3-5mm

**Faceplate:** Flat and radius aluminium: 123.7mm x 31.8mm

**Finishes:** 628 Satin Anodised

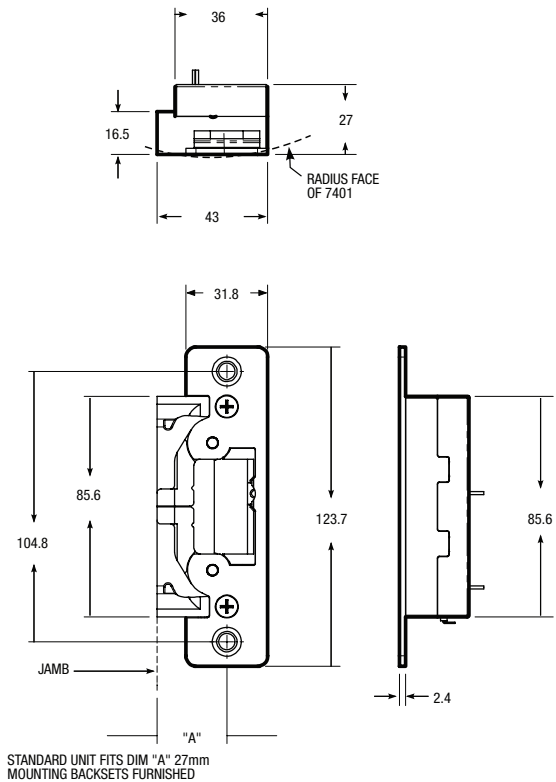
**Subcover:** Standard subcover will suit a 44.45mm thick door that closes flush with jamb edge. Extension codes see below

**Standards:** ANSI/BHMA 156.5 Grade 1  
 UL listed for burglary resistance

**ORDERING CODES:**

- 7400-628 Electric Strike 12/24V AC/DC Flat SAA
- 7401-628 Electric Strike 12/24V AC/DC Radius SAA
- WDC7400 7400 Door Cover
- LEK7400-05 05 Subcover Extension suit 50mm

**MILLIMETERS**  
 Nominal, subject of tolerance extremes



**7140**

**Electric Strike for Single or Double Leaf Steel Doors**

The Adams Rite 7100 Series is for remote use access control of any door equipped with Adams Rite 4700 series (or similar) deadlatch.

**Key Benefits:**

- Suitable for use on steel doors
- Non-handed
- Facility to change duty from fail-safe to fail secure and vice versa
- The compact mechanism fits into a jamb section as shallow as 44.45mm
- 907kg holding force (2000lbs)
- Flat faceplate
- Electrical actuation unlocks the strike jaw, releasing the latchbolt so the door can be opened without operating the latch itself
- Faceplate has square corners to aid installation into steel doors

**Related Hardware:**

RiteKey Keypad, Push-to-Exit Button, Power Supply Unit, 4720ANSI Deadlatch

**Note:** For out of hours security specify the Sentinel 6 Deadlock in conjunction with the electric strike/latch combination.

**SPECIFICATIONS:**

**Current Draw:** 12vAC=1.48A, 12vDC=0.332A, 24vAC=0.74A, 24vDC=0.19A (nominal). DC intermittent and continuous units are silent, AC intermittent units "buzz" on operation.

**Voltage Tolerance:** ±10%.

**Powered By:** Internal solenoid.

**Monitoring: (optional)**

**Single:** Latch only,

**Double:** Latch & solenoid.

**Duty:** Fail-safe or fail-secure (convertible without additional parts). DC power supply required for fail-safe operation.

**Jaw Strength:** 907kg (2000lbs).

**Case:** 85.6mm x 28.6mm x 41.6mm. Zinc aluminium alloy.

**Mechanism:** Stainless steel internal blocking mechanism.

**Strike Opening:** 36.5mm x 15.9mm x 12.7mm. Stainless steel bolt retainer jaw.

**Door Gap:** Minimum 3mm (1/8"), operational door gap 3-5mm.

**Faceplate:** Aluminium. 123.7mm x 31.8mm. Flat.

**Finishes:** See ordering codes.

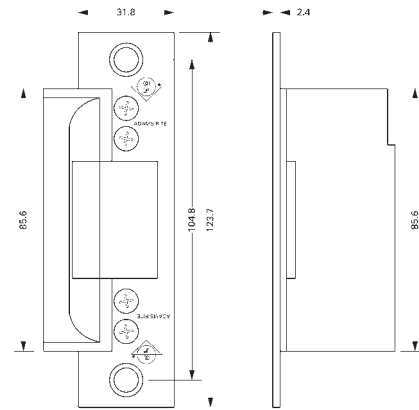
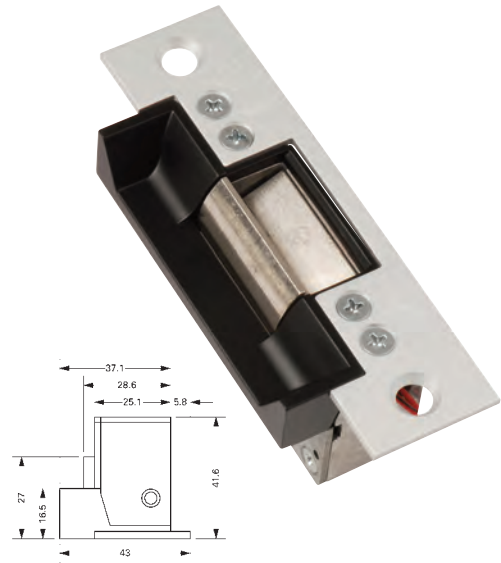
**Subcover:** Basic subcover lip will suit a 44.45mm (1 3/4") thick door that closes flush with jamb edge. For extended bolt-on subcovers see ordering codes.

**Standards:** ANSI/BHMA 156.5 Grade 1. UL Listed for burglary resistance.

**Subcover Extension Codes (order separately)**

Order Code	Dimension*	Order Code	Dimension*
91-0171-01	38.1mm (1.50")	91-0171-08	60.5mm (2.38")
91-0171-02	41.4mm (1.63")	91-0171-09	63.5mm (2.50")
91-0171-03	44.5mm (1.75")	91-0171-10	66.8mm (2.63")
91-0171-04	47.8mm (1.88")	91-0171-11	69.9mm (2.75")
91-0171-05	50.8mm (2.00")	91-0171-12	73.2mm (2.88")
91-0171-06	54.1mm (2.13")	91-0171-13	76.2mm (3.00")
91-0171-07	57.2mm (2.25")		

\*Dimension from door centreline to jamb edge.



**ORDERING CODE MATRIX**

7140 - 3 1 0 - 628 - 1

**Model Number**

7140

**Voltage**

3 12 volt  
5 24 volt

**Current and Duty**

1 DC Continuous or intermittent  
4 AC Intermittent (fail-secure only)

**Features**

0 Standard/Fail-Secure  
5 Standard/Fail-Safe  
7 Monitored/Fail-Safe  
9 Monitored/Fail-Secure

**Finish**

628 Satin Aluminium  
313 Bronze  
335 Black

**Options**

1 Single Monitoring (Latch only)  
2 Double Monitoring (Latch and Solenoid)

**7110 and 7111**  
**Electric Strike for Single or Double Leaf Timber or Steel Doors**

The Adams Rite 7100 Series is for remote use access control of any door equipped with Adams Rite 4700 series (or similar) deadlatch. The 7110 and 7111 electric strike have flat faceplates for mounting in the frame or the inactive leaf of a pair of doors.

**Key Benefits:**

- Suitable for use on timber and steel doors
- The compact mechanism fits into a timber or steel jamb section as shallow as 44.45mm
- Electrical actuation unlocks the strike jaw, releasing the latchbolt so the door can be opened without operating the latch itself
- The 7110 has a 201mm long faceplate and the 7111 has a 260mm faceplate for installation into timber and steel doors
- 907kg holding force (2000lbs)
- Facility to change duty from failsafe to fail-secure and vice-versa
- Non-handed

**Related Hardware:**

RiteKey Keypad, Push-to-Exit Button, Power Supply Unit, 4720ANSI Deadlatch

**Note:** For out of hours security specify the Sentinel 6 Deadlock in conjunction with the electric strike/latch combination

**SPECIFICATIONS:**

**Current Draw:** 12vAC=1.48A, 12vDC=0.332A, 24vAC=0.74A, 24vDC=0.19A (nominal). DC intermittent and continuous units are silent, AC intermittent units "buzz" on operation.

**Voltage Tolerance:** ±10%.

**Powered By:** Internal solenoid.

**Monitoring: (optional)**

**Single:** Latch only,

**Double:** Latch & solenoid.

**Duty:** Fail-safe or fail-secure (convertible without additional parts). DC power supply required for fail-safe operation.

**Jaw Strength:** 907kg (2000lbs).

**Case:** 85.6mm x 28.6mm x 41.6mm. Zinc aluminium alloy.

**Mechanism:** Stainless steel internal blocking mechanism.

**Strike Opening:** 36.5mm x 15.9mm x 12.7mm.  
 Stainless steel bolt retainer jaw.

**Door Gap:** Minimum 3mm (1/8"), operational door gap 3-5mm.

**Faceplate:** Aluminium. 201.6mm x 36.3mm (7110), 260.3mm x 36.3mm (7111).

**Finishes:** See ordering codes.

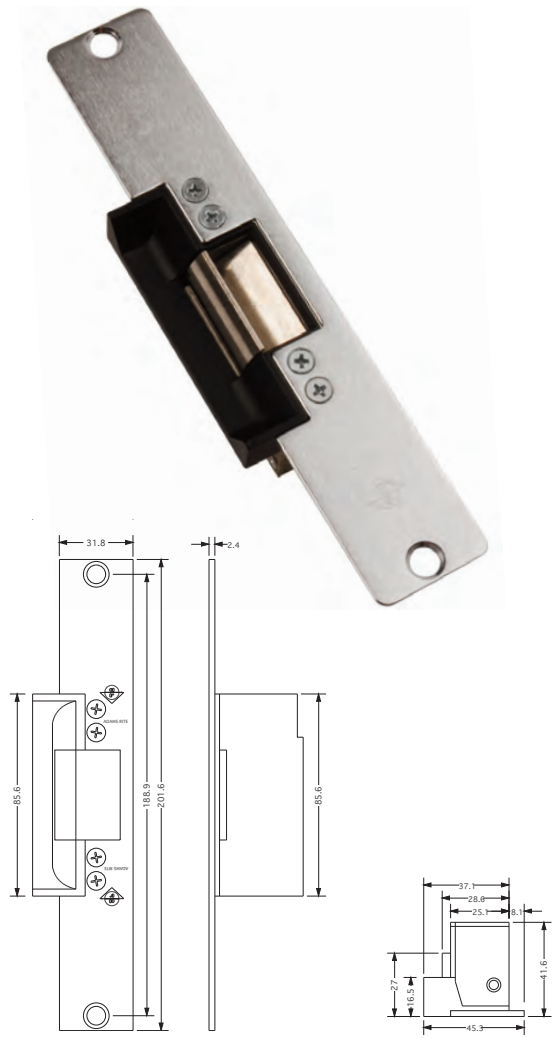
**Subcover:** Basic subcover lip will suit a 44.45mm (1 3/4") thick door that closes flush with jamb edge. For extended bolt-on subcovers see ordering codes.

**Standards:** ANSI/BHMA 156.5 Grade 1.  
 UL Listed for burglary resistance.

**Subcover Extension Codes (order separately)**

Order Code	Dimension*	Order Code	Dimension*
91-0171-01	38.1mm (1.50")	91-0171-08	60.5mm (2.38")
91-0171-02	41.4mm (1.63")	91-0171-09	63.5mm (2.50")
91-0171-03	44.5mm (1.75")	91-0171-10	66.8mm (2.63")
91-0171-04	47.8mm (1.88")	91-0171-11	69.9mm (2.75")
91-0171-05	50.8mm (2.00")	91-0171-12	73.2mm (2.88")
91-0171-06	54.1mm (2.13")	91-0171-13	76.2mm (3.00")
91-0171-07	57.2mm (2.25")		

\*Dimension from door centreline to jamb edge.



**ORDERING CODE MATRIX**

**7110 - 3 1 0 - 652 - 1**

<b>Model Number</b>	7110 8" Faceplate	7111 10" Faceplate
<b>Voltage</b>	3 12 volt	5 24 volt
<b>Current and Duty</b>	1 DC Continuous or intermittent	4 AC Intermittent (fail-secure only)
<b>Features</b>	0 Standard/Fail-Secure	5 Standard/Fail-Safe
	7 Monitored/Fail-Safe	9 Monitored/Fail-Secure
<b>Finish</b>	628 Satin Chrome	
<b>Options</b>	1 Single Monitoring (Latch only)	2 Double Monitoring (Latch and Solenoid)

**7113**

**Electric Strike for Single or Double Leaf Timber or Steel Doors**

The Adams Rite 7100 Series is for remote use access control of any door equipped with Adams Rite 4700 series (or similar) deadlatch

**Key Benefits:**

- Suitable for use on timber and steel doors
- Non-handed
- Facility to change duty from fail-safe to fail secure and vice versa
- The 7113 features a narrower faceplate than the 7110 series and is particularly suited to 44mm thick timber doors
- 907kg holding force (2000lbs)
- The 7113 strike can be mounted in the frame or the inactive leaf of a pair of doors and a modified sub cover is available as an option for applications using a T-bar on the door
- Electrical actuation unlocks the strike jaw, releasing the latchbolt so the door can be opened without operating the latch itself

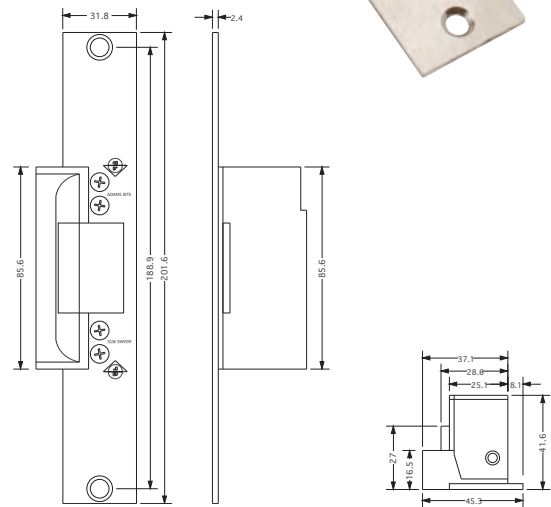
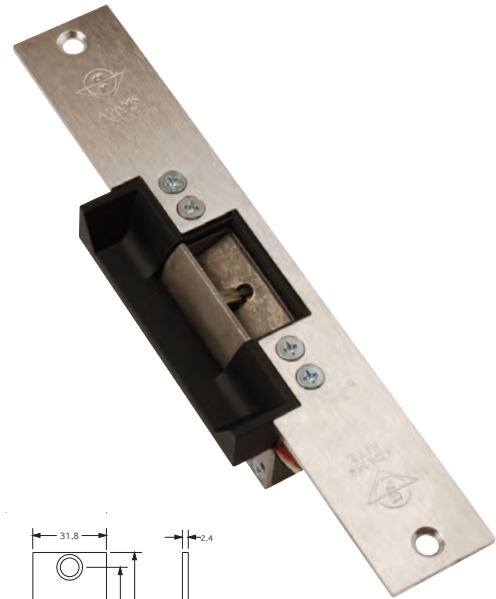
**Related Hardware:**

RiteKey Keypad, Push-to-Exit Button, Power Supply Unit, 4720ANSI Deadlatch

**Note:** For out of hours security specify the Sentinel 6 Deadlock in conjunction with the electric strike/latch combination.

**SPECIFICATIONS:**

- Current Draw:** 12vAC=1.48A, 12vDC=0.332A, 24vAC=0.74A, 24vDC=0.19A (nominal). DC intermittent and continuous units are silent, AC intermittent units "buzz" on operation.
- Voltage Tolerance:** ±10%.
- Powered By:** Internal solenoid.
- Monitoring: (optional)**
- Single:** Latch only,
- Double:** Latch & solenoid.
- Duty:** Fail-safe or fail-secure (convertible without additional parts). DC power supply required for fail-safe operation.
- Jaw Strength:** 907kg (2000lbs).
- Case:** 85.6mm x 28.6mm x 41.6mm. Zinc aluminium alloy.
- Mechanism:** Stainless steel internal blocking mechanism.
- Strike Opening:** 36.5mm x 15.9mm x 12.7mm. Stainless steel bolt retainer jaw.
- Door Gap:** Minimum 3mm (1/8"), operational door gap 3-5mm.
- Faceplate:** Steel. 201.6mm x 31.8mm. Flat, square cornered.
- Finishes:** Satin chrome (other finishes may be available on request).
- Subcover:** Basic subcover lip will suit a 44.45mm (1 3/4") thick door that closes flush with jamb edge. For extended bolt-on subcovers see ordering codes.
- Standards:** ANSI/BHMA 156.5 Grade 1. UL Listed for burglary resistance.



**ORDERING CODE MATRIX**

	<b>7113 - 3 1 0 - 652 - 1</b>
<b>Model Number</b>	_____
<b>7113 8" Narrow Faceplate</b>	_____
<b>Voltage</b>	_____
<b>3 12 volt</b>	_____
<b>5 24 volt</b>	_____
<b>Current and Duty</b>	_____
<b>1 DC Continuous or intermittent</b>	_____
<b>4 AC Intermittent (fail-secure only)</b>	_____
<b>Features</b>	_____
<b>0 Standard/Fail-Secure</b>	_____
<b>5 Standard/Fail-Safe</b>	_____
<b>7 Monitored/Fail-Safe</b>	_____
<b>9 Monitored/Fail-Secure</b>	_____
<b>Finish</b>	_____
<b>628 Satin Chrome</b>	_____
<b>Options</b>	_____
<b>1 Single Monitoring (Latch only)</b>	_____
<b>2 Double Monitoring (Latch and Solenoid)</b>	_____

**7130**

**Electric Strike for MS® 1850 replacement - Aluminium Doors**

The Adams Rite 7100 Series is for remote use access control of any door equipped with Adams Rite 4700 series (or similar) deadlatch. The 7130 series have a large faceplate to cover the strike opening when converting from an MS® pivoted - bolt deadlock to a deadlatch.

**Key Benefits:**

- Suitable for use on aluminium doors
- Jaw Strength 907kg (2,000 lbs)
- Facility to change duty from fail-safe to fail secure and vice versa
- Non-handed
- Electrical actuation unlocks the strike jaw, releasing the latchbolt so the door can be opened without operating the latch itself
- Designed for mounting in the frame of a single action single leaf doors

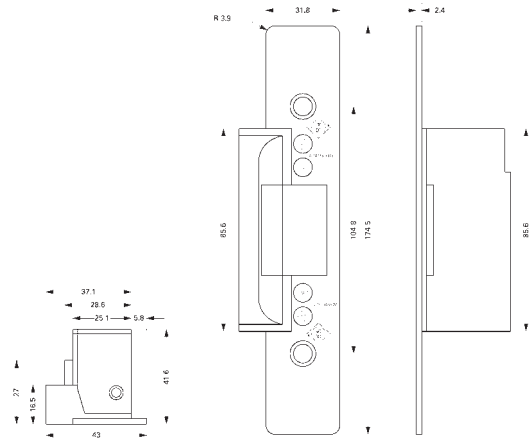
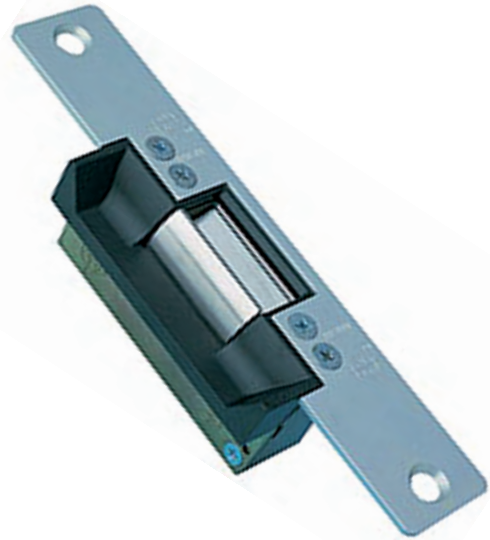
**Related Hardware:**

RiteKey Keypad, Push-to-Exit Button, Power Supply Unit, 4710 Deadlatch, 4750 Deadlatch

**Note:** For out of hours security specify the Sentinel 6 Deadlock in conjunction with the electric strike/latch combination.

**SPECIFICATIONS:**

- Current Draw:** 12vAC=1.48A, 12vDC=0.332A, 24vAC=0.74A, 24vDC=0.19A (nominal). DC intermittent and continuous units are silent, AC intermittent units "buzz" on operation.
- Voltage Tolerance:** ±10%.
- Powered By:** Internal solenoid.
- Monitoring: (optional)**
- Single:** Latch only,
- Double:** Latch & solenoid.
- Duty:** Fail-safe or fail-secure (convertible without additional parts). DC power supply required for fail-safe operation.
- Jaw Strength:** 907kg (2000lbs).
- Case:** 85.6mm x 28.6mm x 41.6mm. Zinc aluminium alloy.
- Mechanism:** Stainless steel internal blocking mechanism.
- Strike Opening:** 36.5mm x 15.9mm x 12.7mm. Stainless steel bolt retainer jaw.
- Door Gap:** Minimum 3mm (1/8"), operational door gap 3-5mm.
- Faceplate:** Aluminium. 174.5mm x 31.8mm. Flat.
- Finishes:** See ordering codes.
- Subcover:** Basic subcover lip will suit a 44.45mm (1 3/4") thick door that closes flush with jamb edge. For extended bolt-on subcovers see ordering codes.
- Standards:** ANSI/BHMA 156.5 Grade 1. UL Listed for burglary resistance.



**ORDERING CODE MATRIX**

7130 - 3 1 0 - 628 - 1

**Model Number**

7130 Flat

7131 Radius

**Voltage**

3 12 volt

5 24 volt

**Current and Duty**

1 DC Continuous or intermittent

4 AC Intermittent (fail-secure only)

**Features**

0 Standard/Fail-Secure

5 Standard/Fail-Safe

7 Monitored/Fail-Safe

9 Monitored/Fail-Secure

**Finish**

628 Satin Aluminium

**Options**

1 Single Monitoring (Latch only)

2 Double Monitoring (Latch and Solenoid)

**7108 and 7128 Electric Strike**

The Adams Rite 7100 Series is for remote use access control of any door equipped with Adams Rite 4700 series (or similar) deadlatch. The 7108 and 7128 series is for use on timber/steel doors where conformance to BS EN 1125 or BS EN 179 is required.

**Key Benefits:**

- Suitable for use on aluminium, timber and steel doors
- Non-handed
- Facility to change duty from fail safe to fail secure and vice versa
- The 7108 series have flat faceplates for mounting in the frame of a single action, single leaf aluminium doors
- 907kg holding force (2000lbs)
- Electrical actuation unlocks the strike jaw, releasing the latchbolt so the door can be opened without operating the latch itself
- Ramp jaw to meet release forces of BS EN 1125/BS EN 179
- The 7128 series have square corners to aid installation into timber and steel doors

**Standards Conformity:**

To conform with BS EN 1125: 1997+A1:2001: The 7108 or 7128 strikes must be used with the 930 or 940 Series Exit Device

To conform with BS EN 179: 1998 +A1:2001: The 7108 or 7128 strikes must be used with the: 4710 Heavy Duty Deadlatch or 4720ANSI Deadlatch and 4591 Push Paddle Handle 4750 Heavy Duty Deadlatch and 4596 Push Paddle Handle

**Related Hardware:**

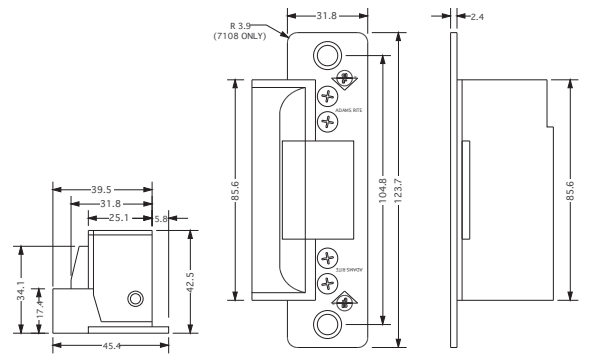
RiteKey Keypad, Push-to-Exit Button, Power Supply Unit, 4710 Heavy Duty, Deadlatch, 4720ANSI Deadlatch, 4750 Deadlatch, 4591 Paddle Handle, 4596 Europrofile Paddle Handle, 930 Exit Device, 940 Exit Device

**Note:** For out of hours security specify the Sentinel 6 Deadlock in conjunction with the electric strike/latch combination.

**SPECIFICATIONS:**

**Current Draw:** 12vAC=1.48A, 12vDC=0.332A, 24vAC=0.74A, 24vDC=0.19A (nominal). DC intermittent and continuous units are silent, AC intermittent units "buzz" on operation.

- Voltage Tolerance:** ±10%.
- Powered By:** Internal solenoid.
- Monitoring: (optional)**
- Single:** Latch only,
- Double:** Latch & solenoid.
- Duty:** Fail-safe or fail-secure (convertible without additional parts). DC power supply required for fail-safe operation.
- Jaw Strength:** 907kg (2000lbs).
- Case:** 85.6mm x 28.6mm x 41.6mm. Zinc aluminium alloy.
- Mechanism:** Stainless steel internal blocking mechanism.
- Strike Opening:** 36.5mm x 15.9mm x 12.7mm. Architectural bronze bolt retainer jaw.
- Door Gap:** Minimum 3mm (1/8"), operational door gap 3-5mm.
- Faceplate:** Aluminium. 123.7mm x 31.8mm. Flat. (7108 has radius corners, 7128 has square corners).
- Finishes:** See ordering codes.
- Subcover:** Basic subcover lip will suit a 44.45mm (1 3/4") thick door that closes flush with jamb edge. For extended bolt-on subcovers see ordering codes.
- Standards:** ANSI/BHMA 156.5 Grade 1. UL Listed for burglary resistance.



**ORDERING CODE MATRIX**

		<b>7108 - 3 1 0 - 628 - 1</b>			
<b>Model Number</b>					
7108 for 940 Exit Device	_____				
7128 for 930 Exit Device	_____				
<b>Voltage</b>					
3 12 volt	_____				
5 24 volt	_____				
<b>Current and Duty</b>					
1 DC Continuous or intermittent	_____				
4 AC Intermittent (fail-secure only)	_____				
<b>Features</b>					
0 Standard/Fail-Secure	_____				
5 Standard/Fail-Safe	_____				
7 Monitored/Fail-Safe	_____				
9 Monitored/Fail-Secure	_____				
<b>Finish</b>					
628 Satin Aluminium	_____				
313 Bronze	_____				
335 Black	_____				
<b>Options</b>					
1 Single Monitoring (Latch only)	_____				
2 Double Monitoring (Latch and Solenoid)	_____				



**7170**

**Electric Strike for Single or Double Leaf Timber or Steel Doors**

The Adams Rite 7100 Series is for remote use access control of any door equipped with Adams Rite 4700 series (or similar) deadlatch. The 7170 has a flat faceplate and will accommodate a 19mm latch throw.

**Key Benefits:**

- Suitable for use on timber and steel doors
- Facility to change duty from fail-safe to fail secure and vice versa
- Electrical actuation unlocks the strike jaw, releasing the latchbolt so the door can be opened without operating the latch itself
- Will accommodate a latch throw of up to 19.05mm
- The 7170 has square corners to aid installation into timber and steel doors
- 907kg holding force (2000lbs)
- Non-handed

**Related Hardware:**

RiteKey Keypad, Push-to-Exit Button, Power Supply Unit

**Note:** For out of hours security specify the Sentinel 6 Deadlock in conjunction with the electric strike/latch combination.

**SPECIFICATIONS:**

**Current Draw:** 12vAC=1.48A, 12vDC=0.332A, 24vAC=0.74A, 24vDC=0.19A (nominal). DC intermittent and continuous units are silent, AC intermittent units "buzz" on operation.

**Voltage Tolerance:** ±10%.

**Powered By:** Internal solenoid.

**Monitoring: (optional)**

**Single:** Latch only,

**Double:** Latch & solenoid.

**Duty:** Fail-safe or fail-secure (convertible without additional parts). DC power supply required for fail-safe operation.

**Jaw Strength:** 907kg (2000lbs).

**Case:** 85.6mm x 28.6mm x 41.6mm. Zinc aluminium alloy.

**Mechanism:** Stainless steel internal blocking mechanism.

**Strike Opening:** 36.5mm x 15.9mm x 12.7mm. Stainless steel bolt retainer jaw.

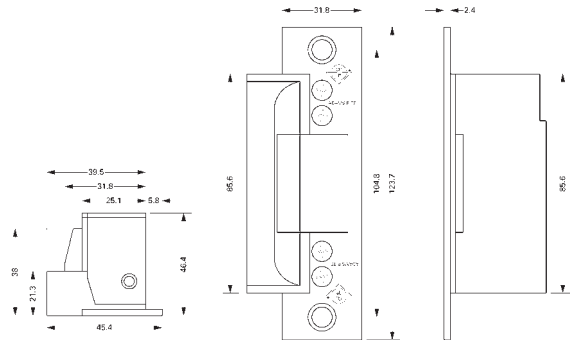
**Door Gap:** Minimum 3mm (1/8"), operational door gap 3-5mm.

**Faceplate:** Aluminium. 123.7mm x 31.8mm (7170);  
260.3mm x 36.3mm (7171);  
201.6mm x 36.3mm (7172);  
201.6mm x 31.8mm (7173). Flat.

**Finishes:** See ordering codes.

**Subcover:** Basic subcover lip will suit a 44.45mm (1 3/4") thick door that closes flush with jamb edge. For extended bolt-on subcovers see ordering codes.

**Standards:** ANSI/BHMA 156.5 Grade 1.  
UL Listed for burglary resistance.



**ORDERING CODE MATRIX**

**7170 - 3 1 0 - 628 - 1**

**Model Number**

- 7170 Flat
- 7171 10" Faceplate
- 7172 8" Faceplate
- 7173 \*1 Narrow Faceplate

**Voltage**

- 3 12 volt
- 5 24 volt

**Current and Duty**

- 1 DC Continuous or intermittent
- 4 AC Intermittent (fail-secure only)

**Features**

- 0 Standard/Fail-Secure
- 5 Standard/Fail-Safe
- 7 Monitored/Fail-Safe
- 9 Monitored/Fail-Secure

**Finish**

- 628 Satin Aluminium (7170 only)
- 313 Bronze (7170 only)
- 335 Black (7170 only)
- 652 Satin Chrome (7171/7172/7173)

**Options**

- 1 Single Monitoring (Latch only)
- 2 Double Monitoring (Latch and Solenoid)

**7160**

**Electric Strike for Single Leaf Aluminium Doors**

The Adams Rite 7100 Series is for remote use access control of any door equipped with Adams Rite 4700 series (or similar) deadlatch. The 7160 has a flat faceplate and will accommodate a 19mm latch throw.

**Key Benefits:**

- Suitable for use on aluminium doors
- Will accommodate a latch throw of up to 19mm
- This compact mechanism fits into a hollow jamb section as shallow as 47mm
- Facility to change duty from fail-safe to fail-secure and vice-versa
- 907kg holding force (2000lbs)
- Flat faceplate for installation into the frame of a single leaf door
- Round corners of faceplate to aid installation into aluminium doors
- Non-handed
- Electrical actuation unlocks the strike jaw, releasing the latchbolt so the door can be opened without operating the latch itself

**Related Hardware:**

RiteKey Keypad, Push-to-Exit Button, Power Supply Unit

**Note:** For out of hours security specify the Sentinel 6 Deadlock in conjunction with the electric strike/latch combination.

**SPECIFICATIONS:**

**Current Draw:** 12vAC=1.48A, 12vDC=0.332A, 24vAC=0.74A, 24vDC=0.19A (nominal). DC intermittent and continuous units are silent, AC intermittent units "buzz" on operation.

**Voltage Tolerance:** ±10%.

**Powered By:** Internal solenoid.

**Monitoring: (optional)**

**Single:** Latch only,

**Double:** Latch & solenoid.

**Duty:** Fail-safe or fail-secure (convertible without additional parts). DC power supply required for fail-safe operation.

**Jaw Strength:** 907kg (2000lbs).

**Case:** 85.6mm x 28.6mm x 41.6mm. Zinc aluminium alloy.

**Mechanism:** Stainless steel internal blocking mechanism.

**Strike Opening:** 36.5mm x 15.9mm x 12.7mm.  
Stainless steel bolt retainer jaw.

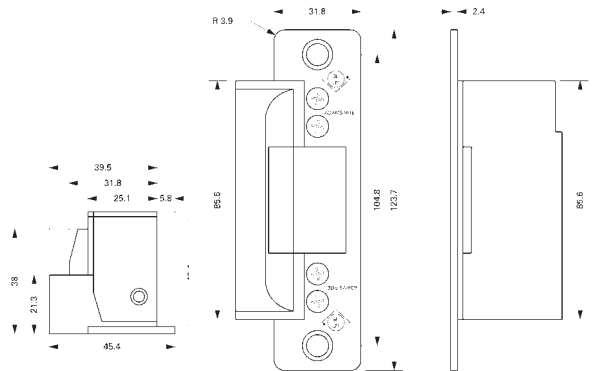
**Door Gap:** Minimum 3mm (1/8"), operational door gap 3-5mm.

**Faceplate:** Aluminium. 123.7mm x 31.8mm Flat.

**Finishes:** See ordering codes.

**Subcover:** Basic subcover lip will suit a 44.45mm (1 3/4") thick door that closes flush with jamb edge. For extended bolt-on subcovers see ordering codes.

**Standards:** ANSI/BHMA 156.5 Grade 1.  
UL Listed for burglary resistance.



**ORDERING CODE MATRIX**

**7160 - 3 1 0 - 628 - 1**

<b>Model Number</b>	7160	_____	_____	_____	_____	_____
<b>Voltage</b>	3	12 volt	_____	_____	_____	_____
	5	24 volt	_____	_____	_____	_____
<b>Current and Duty</b>	1	DC Continuous or intermittent	_____	_____	_____	_____
	4	AC Intermittent (fail-secure only)	_____	_____	_____	_____
<b>Features</b>	0	Standard/Fail-Secure	_____	_____	_____	_____
	5	Standard/Fail-Safe	_____	_____	_____	_____
	7	Monitored/Fail-Safe	_____	_____	_____	_____
	9	Monitored/Fail-Secure	_____	_____	_____	_____
<b>Finish</b>	628	Satin Aluminium	_____	_____	_____	_____
	313	Bronze	_____	_____	_____	_____
	335	Black	_____	_____	_____	_____
<b>Options</b>	1	Single Monitoring (Latch only)	_____	_____	_____	_____
	2	Double Monitoring (Latch and Solenoid)	_____	_____	_____	_____

**7100**

**Electric Strike for Single Leaf Aluminium Doors**

The Adams Rite 7100 Series is for remote use access control of any door equipped with Adams Rite 4700 series (or similar) deadlatch. The 7100 has flat faceplates for installing in the frame of a single action single leaf doors.

**Key Benefits:**

- Suitable for use on aluminium doors
- Facility to change duty from fail-safe to fail secure and vice-versa
- Non-handed
- The compact mechanism fits into an aluminium jamb section as shallow as 44.45mm
- Electrical actuation unlocks the strike jaw, releasing the latchbolt so the door can be opened without operating the latch itself
- The 7100 series have flat faceplates for mounting in the frame of a single action single leaf doors.
- 907kg holding force (2000lbs)
- Round corners of faceplate to aid installation into aluminium doors

**Related Hardware:**

RiteKey Keypad, Push-to-Exit Button, Power Supply Unit, 4710 Deadlatch, 4750 Deadlatch

**Note:** For out of hours security specify the Sentinel 6 Deadlock in conjunction with the electric strike/latch combination.

**SPECIFICATIONS:**

**Current Draw:** 12vAC=1.48A, 12vDC=0.332A, 24vAC=0.74A, 24vDC=0.19A (nominal). DC intermittent and continuous units are silent, AC intermittent units "buzz" on operation.

**Voltage Tolerance:** ±10%.

**Powered By:** Internal solenoid.

**Monitoring: (optional)**  
**Single:** Latch only,

**Double:** Latch & solenoid.

**Duty:** Fail-safe or fail-secure (convertible without additional parts). DC power supply required for fail-safe operation.

**Jaw Strength:** 907kg (2000lbs).

**Case:** 85.6mm x 28.6mm x 41.6mm. Zinc aluminium alloy.

**Mechanism:** Stainless steel internal blocking mechanism.

**Strike Opening:** 36.5mm x 15.9mm x 12.7mm.  
 Stainless steel bolt retainer jaw.

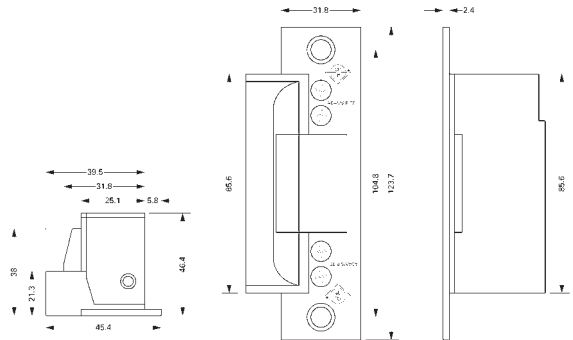
**Door Gap:** Minimum 3mm (1/8"), operational door gap 3-5mm.

**Faceplate:** Aluminium. 123.7mm x 31.8mm Flat.

**Finishes:** See ordering codes.

**Subcover:** Basic subcover lip will suit a 44.45mm (1 3/4") thick door that closes flush with jamb edge. For extended bolt-on subcovers see ordering codes.

**Standards:** ANSI/BHMA 156.5 Grade 1.  
 UL Listed for burglary resistance.



**ORDERING CODE MATRIX**

		<b>7100 - 3 1 0 - 628 - 1</b>			
<b>Model Number</b>	<b>7100</b>	_____	_____	_____	_____
<b>Voltage</b>	<b>3</b> 12 volt	_____	_____	_____	_____
	<b>5</b> 24 volt	_____	_____	_____	_____
<b>Current and Duty</b>	<b>1</b> DC Continuous or intermittent	_____	_____	_____	_____
	<b>4</b> AC Intermittent (fail-secure only)	_____	_____	_____	_____
<b>Features</b>	<b>0</b> Standard/Fail-Secure	_____	_____	_____	_____
	<b>5</b> Standard/Fail-Safe	_____	_____	_____	_____
	<b>7</b> Monitored/Fail-Safe	_____	_____	_____	_____
	<b>9</b> Monitored/Fail-Secure	_____	_____	_____	_____
<b>Finish</b>	<b>628</b> Satin Aluminium	_____	_____	_____	_____
	<b>313</b> Bronze	_____	_____	_____	_____
	<b>335</b> Black	_____	_____	_____	_____
<b>Options</b>	<b>1</b> Single Monitoring (Latch only)	_____	_____	_____	_____
	<b>2</b> Double Monitoring (Latch and Solenoid)	_____	_____	_____	_____

**7101**

**Electric Strike for Double Leaf Aluminium Doors**

The Adams Rite 7100 Series is for remote use access control of any door equipped with Adams Rite 4700 series (or similar) deadlatch. The 7101 has a radiused faceplate for mounting in the rounded nose in the inactive leaf of paired doors.

**Key Benefits:**

- Suitable for use on aluminium doors
- Non-handed
- Electrical actuation unlocks the strike jaw, releasing the latchbolt so the door can be opened without operating the latch itself
- The compact mechanism fits into an aluminium jamb section as shallow as 44.45mm
- 907kg holding force (2000lbs)
- The 7101 has a radiused faceplate for mounting in the rounded nose in the inactive leaf of paired doors.
- Round corners of faceplate to aid installation into aluminium doors
- Facility to change duty from fail-safe to fail-secure and vice-versa

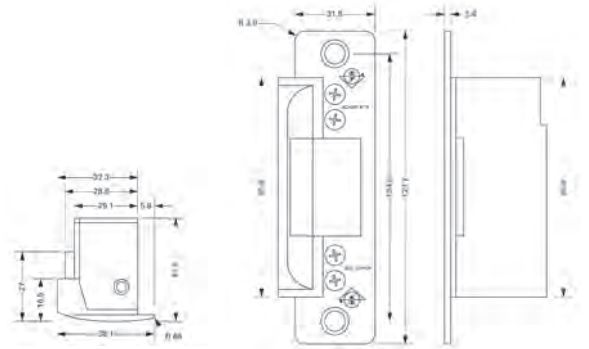
**Related Hardware:**

RiteKey Keypad, Push-to-Exit Button, Power Supply Unit, 4710 Deadlatch, 4750 Deadlatch

**Note:** For out of hours security specify the Sentinel 6 Deadlock in conjunction with the electric strike/latch combination.

**SPECIFICATIONS:**

- Current Draw:** 12vAC=1.48A, 12vDC=0.332A, 24vAC=0.74A, 24vDC=0.19A (nominal). DC intermittent and continuous units are silent, AC intermittent units "buzz" on operation.
- Voltage Tolerance:** ±10%.
- Powered By:** Internal solenoid.
- Monitoring: (optional)**
- Single:** Latch only,
- Double:** Latch & solenoid.
- Duty:** Fail-safe or fail-secure (convertible without additional parts). DC power supply required for fail-safe operation.
- Jaw Strength:** 907kg (2000lbs).
- Case:** 85.6mm x 28.6mm x 41.6mm. Zinc aluminium alloy.
- Mechanism:** Stainless steel internal blocking mechanism.
- Strike Opening:** 36.5mm x 15.9mm x 12.7mm. Stainless steel bolt retainer jaw.
- Door Gap:** Minimum 3mm (1/8"), operational door gap 3-5mm.
- Faceplate:** Aluminium. 123.7mm x 31.8mm Radiused.
- Finishes:** See ordering codes.
- Subcover:** Basic subcover lip will suit a 44.45mm (1 3/4") thick door.
- Standards:** ANSI/BHMA 156.5 Grade 1. UL Listed for burglary resistance.



**ORDERING CODE MATRIX**

<b>7101 - 3 1 0 - 628 - 1</b>	
<b>Model Number</b>	7101
<b>Voltage</b>	3 12 volt 5 24 volt
<b>Current and Duty</b>	1 DC Continuous or intermittent 4 AC Intermittent (fail-secure only)
<b>Features</b>	0 Standard/Fail-Secure 5 Standard/Fail-Safe 7 Monitored/Fail-Safe 9 Monitored/Fail-Secure
<b>Finish</b>	628 Satin Aluminium 313 Bronze 335 Black
<b>Options</b>	1 Single Monitoring (Latch only) 2 Double Monitoring (Latch and Solenoid)

**Armlock® 281  
Direct-Pull Magnet**

The Adams Rite Door magnet range are surface mounted direct pull magnets that are used as part of an access control system for electric locking applications.

**Key Benefits:**

- Suitable for use on aluminium, timber and steel doors
- Compact case size and clean aesthetics
- Magnetic holding force of at least 510kg (1120 lbs)
- Has a security pin feature to help prevent unauthorised removal of the magnet from the door frame fixing plate
- Offers durability and low maintenance
- Available as a double magnet model
- User selectable dual voltage - 12 or 24vDC
- CE marked
- Monitoring available (Hall Effect)
- Built in voltage spike suppressor



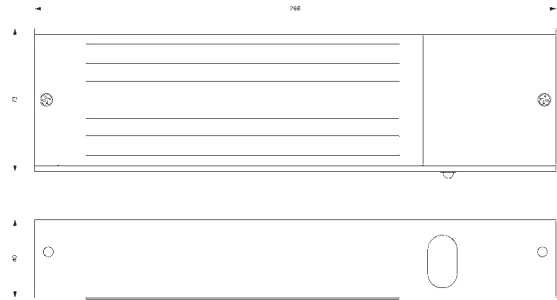
**Related Hardware:**

'L' and 'Z' Brackets, 4591M & 999M Monitored Paddle Handle & Exit Device Switching Accessories, RiteKey Keypad, Push-to-Exit Button, Power Supply Unit

**Note:** For out of hours security specify the Sentinel 6 Deadlock in conjunction with the direct-pull magnet.

**SPECIFICATIONS:**

- Single Magnet:** 40mm x 266mm x 73mm.
- Double Magnet:** 40mm x 532mm x 73mm.
- Armature:** 16mm x 160mm x 61mm. (2 no. for double magnet).
- Nominal Holding Force:** 510kg (1120lbs).
- Supply Voltage:** 12 or 24vDC (±15%).
- Nominal Current:** 480mA @ 12vDC, 240mA @ 24vDC. Dual coil. Built-in voltage spike suppressor.
- Monitoring:** Relay dry contact with LED.
- Door Gap:** Maximum 3mm (1/8").
- Positioning:** Outward opening - surface mounted to door frame header.  
Inward opening - door frame header using 'L' & 'Z' brackets.
- Magnet Housing:** Brushed satin aluminium.



**Note:** To achieve immediate release, it is important that the release switch breaks the circuit on the positive supply to the magnet.

**ORDERING CODES:**

Surface mounted direct-pull magnet, 12/24vDC, Suitable for timber or metal door applications.

- 281-000 Single, non-monitored
- 281-200 Double, non-monitored
- 281-005 Single, monitored
- 281-205 Double, monitored
- 268-600 Armlock® 260/280 Series glass armature bracket

**Parts:**

- 281-300 Spare armature plate only for 280 Series.

**Accessories**

**'L' & 'Z' Brackets for Armlock® 281**

**'L' & 'Z' Brackets with Cover Plates for Armlock® 281**

Adams Rite have a variety of brackets and housings which can be used with our Direct Pull Magnets

**Key Benefits:**

- Adjustable 'L' bracket: Suits typical outward opening door applications where there is not sufficient space to fit the magnet to the head of the door frame
- Suitable for use on aluminium, timber and steel doors
- 'L' & 'Z' Brackets: For conversion of Armlock r 280 Series magnets to inward opening door applications, the 'L' & 'Z' bracket kit consists of a standard 'L' bracket and two separate fully adjustable plates

**Related Hardware:**

Armlock® 281

**Note:** "L&Z" Brackets with Cover Plates. Suitable for new installations only, not as a direct replacement for standard 'L' & 'Z' brackets.

**SPECIFICATIONS:**

**'L' & 'Z' Brackets for Armlock® 281**

**Adjustable 'L' Bracket:**

**Dimensions:** 38mm x 266mm x 75.5mm.

**Material:** Aluminium.

**'L' & 'Z' Brackets:**

**Dimensions:** 46mm x 266mm x 76mm  
(Adjustable and standard 'L' brackets).  
63.5mm x 160mm x 63.5mm (Adjustable brackets).

**Material:** Aluminium.

**Rim Armature Housing:**

**Dimensions:** 76mm x 175mm x 15mm.

**Material:** Aluminium.

**ORDERING CODES:**

**'L' & 'Z' Brackets for Armlock® 281**

281-700 Adjustable 'L' bracket, SAA finish

281-800 'L' & 'Z' bracket kit, SAA finish

281-900 Rim armature housings, SAA finish

**SPECIFICATIONS:**

**'L' & 'Z' Brackets with Cover Plates for Armlock® 281**

**Adjustable 'L' Bracket with Cover Plate:**

**Dimensions:** 39mm x 270mm x 64mm.

**Material:** Aluminium.

**'L' & 'Z' Brackets with Cover Plates:**

**Material:** Aluminium.

**Rim Armature Housing:**

**Dimensions:** 76mm x 175mm x 15mm.

**Material:** Aluminium.

**ORDERING CODES:**

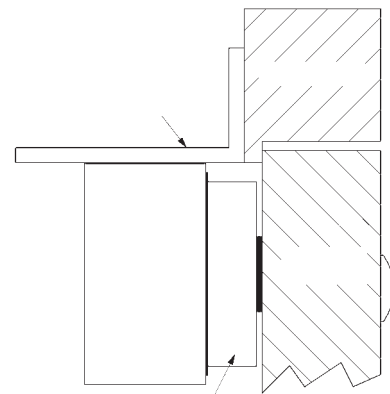
**'L' & 'Z' Brackets with Cover Plates for Armlock® 281**

281-701 Adjustable 'L' bracket only with cover plate, SAA finish

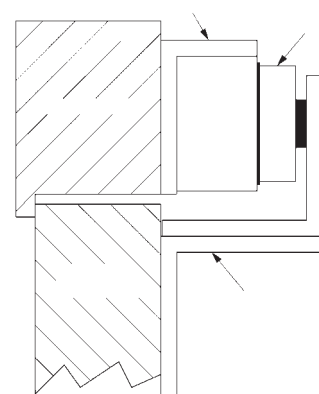
281-801 'L' & 'Z' bracket kit with cover plates, SAA finish



**Brackets**



**Brackets with Cover Plates**



**Armlock® 261 & 262  
Direct-Pull Magnets**

The Adams Rite Door magnet range are direct pull magnets that are used as part of an access control system for electric locking applications.

**Key Benefits:**

- Suitable for use on aluminium, timber and steel doors
- Compact case size & clean aesthetics
- Maintains a magnetic holding force of at least 250kg (550lbs)
- Strong durability & low maintenance
- Fit any aluminium, timber or steel door
- CE marked
- Has a security pin feature to help prevent unauthorised brackets removal of the magnet from the door frame fixing plate
- Available for outward and inward opening door applications
- User selectable dual voltage -12 or 24vDC
- Also available as a double magnet model
- Surface or mortice version
- Monitoring available (Hall Effect)
- Built in voltage spike suppressor

**Related Hardware:**

'L' and 'Z' Brackets, Armature Housing, 4591M & 999M Monitored, Paddle Handle & Exit Device, Switching Accessories, RiteKey Keypad, Push-to-Exit Button, Power Supply Unit

**Note:** For out of hours security specify the Sentinel 6 Deadlock in conjunction with the direct-pull magnet.

**SPECIFICATIONS:**

**Single Magnet:** Single Magnet: 25mm x 250mm x 42mm (261 models).  
28mm x 230mm x 38mm (262 model).

**Double Magnet:** 25mm x 500mm x 42mm (261 models only).

**Armature:** 11.3mm x 160mm x 36mm (2 no. for double magnet).

**Nominal Holding Force:** 250kg (550lbs).

**Supply Voltage:** 12 or 24vDC (±15%). Dual coil.

**Nominal Current:** 480mA @ 12vDC, 240mA @ 24vDC.  
Built-in voltage spike suppressor.

**Monitoring:** Relay dry contact with LED. Integral on 261 models, compact isolated unit on 262-005.

**Door Gap:** Maximum 3mm (1/8").

**261 Positioning:** Outward opening - surface mounted to door frame header.  
Inward opening - door frame header using 'L' & 'Z' brackets.

**262 Positioning:** Mortice mounted for single action swinging or sliding door applications (not to be used as a shearlock).

**Magnet Housing:** Brushed satin aluminium.

**Note:** To achieve immediate release, it is important that the release switch breaks the circuit on the positive supply to the magnet.

**ORDERING CODES:**

**Surface mounted direct-pull magnet, 12/24vDC, suitable for timber or metal door applications.**

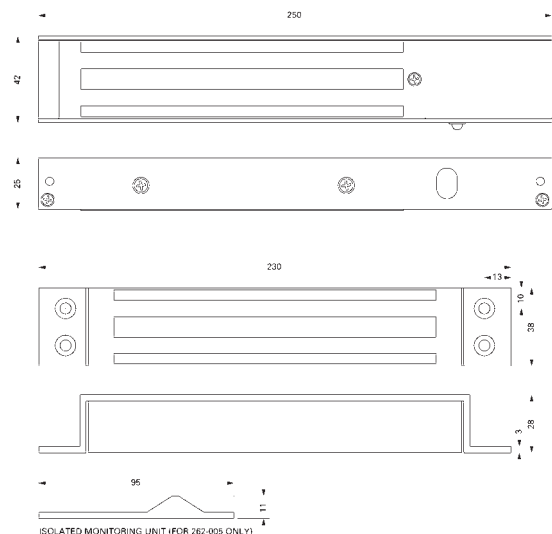
261-000	Single, non-monitored
261-200	Double, non-monitored
261-005	Single, monitored
261-205	Double, monitored
262-005	Mortice mounted single direct-pull magnet, 12/24vDC, monitored, complete with armature fixings for timber and metal doors.



261



262



**268-600**

Armlock® 260/280 Series glass armature bracket

**Parts:  
261-300  
261-015**

Spare armature plate only for 260 series. Surface mounted magnets & armature fixings only for 260 series.

**Accessories**

Adams Rite have a variety of brackets and housings which can be used with our Direct Pull Magnets

**Armature Housing for Armlock® 261 and 262 Key Benefits:**

- For flush mounting of armature plate into timber door core
- Suits outward opening applications
- Rim armature housing: for situations where it is preferable to not drill a hole right through the door for the armature bolt (such as fire doors), the rim housing enables the armature plate to be installed on the surface of the door

**SPECIFICATIONS:**

**Dimensions:** 16.5mm x 165mm x 40mm.  
**Material:** Steel.  
**Finish:** Nickel plated.  
**Fixings:** Use standard armature bolt. Armature box fixing screws not supplied.

**ORDERING CODES:**

261-400 Armature Housing for Armlock® 261 & 262

**'L' & 'Z' Brackets for Armlock® 261 and 262 Key Benefits:**

- Adjustable 'L' bracket: suits typical outward opening door applications where there is not sufficient space to fit the magnet to the head of the door frame.
- 'L' & 'Z' Brackets: for conversion of Armlock® 260 series magnets to inward opening door applications, the 'L' & 'Z' bracket kit consists of a standard 'L' bracket and two separate fully-adjustable plates which form the 'Z' bracket

**SPECIFICATIONS:**

**Adjustable 'L' Bracket:**

**Dimensions:** 30mm x 250mm x 48mm.  
**Material:** Aluminium.

**'L' & 'Z' Brackets:**

**Dimensions:** 30mm x 250mm x 48mm (Adjustable and standard 'L' brackets).  
 50mm x 160mm x 50mm (Adjustable brackets).  
**Material:** Aluminium.

**Rim Armature Housing:**

**Dimensions:** 55mm x 175mm x 15mm.  
**Material:** Aluminium.

**ORDERING CODES:**

261-700 Adjustable 'L' bracket, SAA finish  
 261-800 'L' & 'Z' bracket kit, SAA finish  
 261-900 Rim armature housing, SAA finish

**'L' & 'Z' Brackets with Cover Plates for Armlock® 261 and 262 Key Benefits:**

- Brackets have architectural cover plates to improve the aesthetics of the application
- Armature housing allows magnet to be positioned closer to the door

**SPECIFICATIONS:**

**Adjustable 'L' Bracket with Cover Plate:**

**Dimensions:** 31mm x 253mm x 50mm.  
**Material:** Aluminium.

**'L' & 'Z' Brackets with Cover Plates:**

**Material:** Aluminium.

**Rim Armature Housing:**

**Dimensions:** 55mm x 175mm x 15mm.

**Material:** Aluminium

**ORDERING CODES:**

261-701 Adjustable 'L' bracket only, with cover plate, SAA finish  
 261-801 'L' & 'Z' bracket kit with cover plates, SAA finish

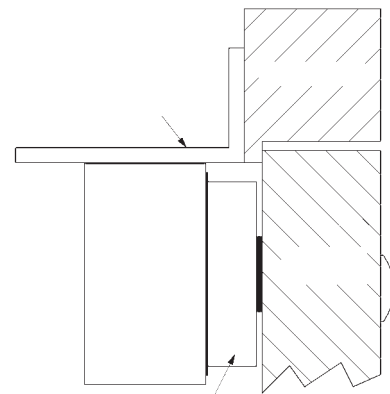
**Related Hardware:**

Armlock® 261 & 262

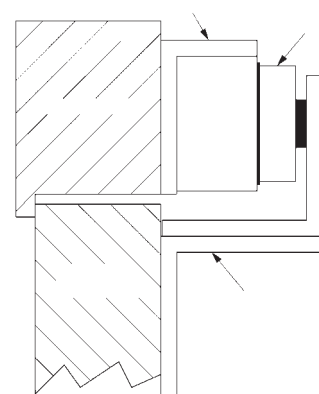
**Note:** "L&Z" Brackets with Cover Plates. Suitable for new installations only, not as a direct replacement for standard 'L' & 'Z' brackets



**Brackets**



**Brackets with Cover Plates**





**Armlock® 291  
External Magnet**

The Adams Rite Door magnet range are surface mounted direct pull magnets that are used as part of an access control system for electric locking applications. To facilitate remote access and exit control of any external gate/barrier.

**Key Benefits:**

- Maintains a magnetic holding force of at least 540kg (1190lbs)
- Offers durability and low maintenance
- Compact case size and clean aesthetic
- Independently tested to achieve an ingress protection rating of IP67
- Built in voltage spike suppressor
- User selectable dual voltage -12 or 24vDC
- Reed switches monitoring as standard
- Dual fixing positions to suit both side and face fix applications
- Suitable for use on aluminium, timber and steel doors

**Related hardware:**

RiteKey Keypad, Power Supply Unit

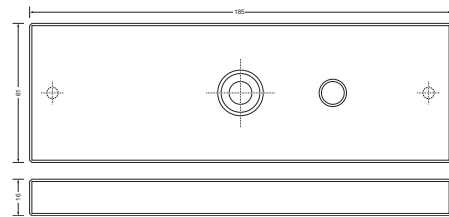
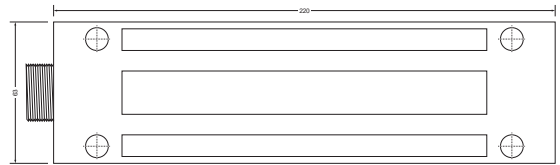
**SPECIFICATIONS:**

<b>Magnet:</b>	220mm x 63mm x 41mm.
<b>Armature:</b>	185mm x 61mm x 16mm.
<b>Nominal Holding Force:</b>	540kg (1190lbs).
<b>Supply Voltage:</b>	12 or 24vDC (±15%). Dual coil.
<b>Nominal Current:</b>	500mA @ 12vDC, 250mA @ 24vDC. Built-in voltage spike suppressor.
<b>Monitoring:</b>	Reed switch.
<b>Door Gap:</b>	Maximum 3mm (1/8").
<b>Positioning:</b>	Side and face fix application.
<b>Magnet Housing:</b>	Stainless steel.
<b>Cable Length:</b>	1m. IP Rating: Independently tested, rated IP67 (assuming that wiring is protected by conduit and connector).

**Note:** To achieve immediate release, it is important that the release switch breaks the circuit on the positive supply to the magnet.

**ORDERING CODES:**

<b>291-005</b>	Surface mounted external magnet, 12/24vDC, monitored, Suitable for face or side fix application. Rated IP67.
<b>291-800</b>	'Z' bracket kit, SAA finish.



**MS Maglock**  
**Magnetic and Mechanical Lock**

The Adams Rite MS Maglock is used to facilitate remote access and exit control. The MS maglock is designed with two hardened steel mandibles which are spring loaded to clamp down on the armature in the event of a forced entry attempt.

**Key Benefits:**

- Suitable for use on aluminium, timber and steel doors
- Holding force of 1800kilos (4000lbs) when mandibles are engaged
- Fail safe operation
- Suitable for aluminium, timber and steel doors
- Separate mounting plate for ease of installation
- Monitored as standard
- CE marked
- Brackets available to suit inward and outward opening doors

**Related Hardware:**

4591M & 999M Monitored Paddle Handle & Exit Device Switching

**Accessories:** RiteKey Keypad, Push-to-Exit Button, Power Supply Unit

**Note:** For out of hours security specify the Sentinel 6 Deadlock in conjunction with the magnet.

**SPECIFICATIONS:**

**Magnet Dimensions:** 54mm x 152mm x 70mm.

**Armature Dimensions:** 16mm x 98mm x 48mm.

**Nominal Holding Force:** 1800kg (4000lbs), (see above).

**Supply Voltage:** 12 to 24v AC or DC (+10%).

**Nominal Current:**  
 130mA max. @ 12vAC,  
 250mA max. @ 24vAC,  
 100mA max. @ 12vDC,  
 200mA max. @ 24vDC.

**Monitoring:** Door position and tamper sensors.

**Door Gap:** Maximum 3mm.

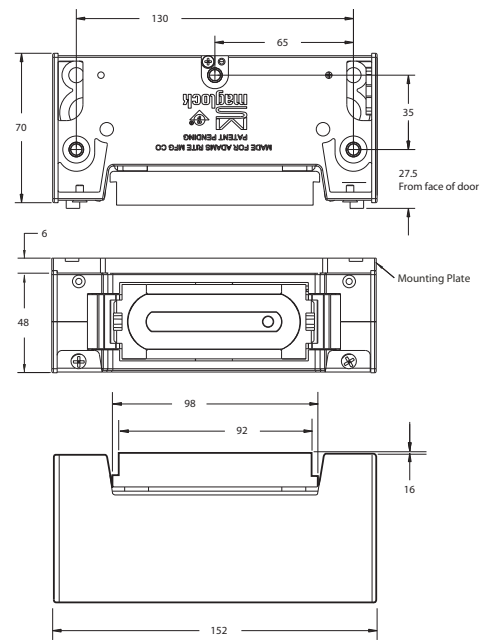
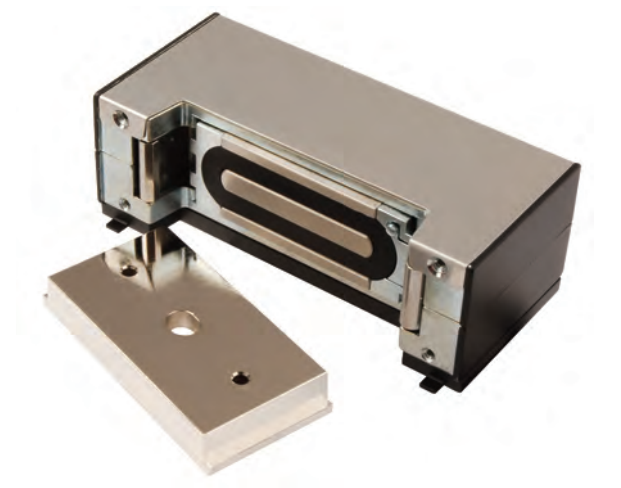
**Positioning:** Outward opening - surface mounted to door frame header. Inward opening - door frame header using 'L' & 'Z' brackets.

**Magnet Housing:** Satin stainless steel with black end caps.

**Note:** Note: To achieve immediate release, it is important that the release switch breaks the circuit between the power supply

**ORDERING CODES:**

- 1500M630** Surface mounted, magnetic & mechanical lock, 12-24v AC/DC, double monitored, suitable for timber or metal door applications.
- 1500-800** 'L' & 'Z' bracket, matt black finish.
- 1500-700** Adjustable 'L' bracket, matt black finish.
- 1500-600** Housing, stainless steel to suit adjustable 'L' bracket.



1391

**Electric Solenoid Bolt**

The Adams Rite 1391 Electric Solenoid Bolt is used to facilitate the remote access and exit control of aluminium, timber or steel doors.

**Key Benefits:**

- Suitable for use on aluminium, timber and steel doors
- Slimline style allows the lock to be concealed fitted into the door frame
- CE marked
- Stainless steel deadbolt has a 16mm throw
- Suitable for single and double action doors (with positive centring door closers)
- Can be fitted into head or into vertical locking stile
- Surface box available with glass door brackets

**Related hardware:**

1391 Surface Box, RiteKey Keypad, Push-to-Exit Button, Power Supply Unit

**Note:** Positive closer required to return doors to correct rest position. For out of hours security specify the Sentinel 6 Deadlock in conjunction with the magnet.

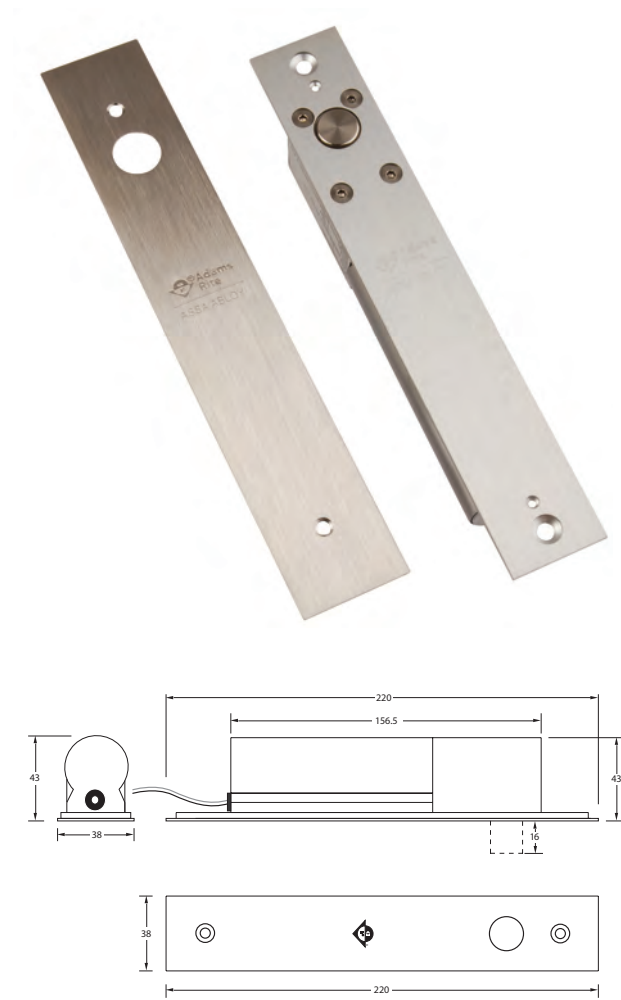
**SPECIFICATIONS:**

<b>Solenoid Lock:</b>	38mm x 210mm x 43mm.
<b>Cover Plate:</b>	38mm x 220mm x 1mm.
<b>Cover Plate Finish:</b>	Brushed stainless steel.
<b>Strike Plate:</b>	24mm x 90mm (27mm deep for metal doors).
<b>Strike Plate Finish:</b>	Brushed stainless steel.
<b>Nominal Current Draw:</b>	@12vDC locking motion 0.9A maintained locked position 0.3A. @24vDC locking motion 0.5A maintained locked position 0.15A. Voltage tolerance ±15%.
<b>Solenoid:</b>	Continuous duty.
<b>Duty:</b>	Fail safe.
<b>Time Delay:</b>	0, 2.5 or 5 secs. User selectable.
<b>Monitoring:</b>	Door status and lock sensors.
<b>Bolt Throw:</b>	16mm.
<b>Door Gap:</b>	Recommended 3mm.
<b>Installation:</b>	Horizontal or vertical mounting.

**Note:** To achieve immediate release, it is important that the release switch breaks the circuit on the positive supply to the solenoid bolt.

**ORDERING CODES:**

<b>Monitored Solenoid Bolt, Brushed Stainless Steel Finish</b>	
1391-1042	12vDC Fail-Safe
1391-2042	24vDC Fail-Safe



### Surface Box For the 1391 Electric Solenoid Bolt

The Adams Rite Surface Box is for use with the 1391 Electric Solenoid Bolt. It allows the solenoid bolt to be surface mounted onto any flush door and frame.

#### Key Benefits:

- Suitable for timber, glass or hollow metal door applications
- Brushed stainless steel finish
- Glass door brackets supplied for fitting to 10mm or 12mm thick glass doors.

#### Related Hardware:

1391 Electric Solenoid Bolt

#### SPECIFICATIONS:

**Dimensions:** 38mm x 205mm x 45mm.

**Surface Box Finish:** Brushed stainless steel. Other finishes available on request.

**Door Gap:** Recommended between 3mm to 5mm.

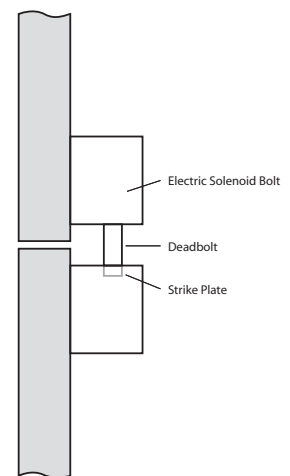
**Installation:** Horizontal or vertical mounting.

**Note:** Solenoid bolt to be ordered separately.

#### ORDERING CODES:

**1391-3042** Surface Box for 1391 Electric Solenoid Bolt,  
Brushed Stainless Steel Finish

**Note:** Illustrations are not to scale.



**RiteKey Keypad**

The Adams Rite RiteKey key pad is a complete system for access control and unlocking of doors without cards or keys. The RiteKey is a 'stand alone' system which can be entirely programmed from numerical characters on the keypad.

**Key Benefits:**

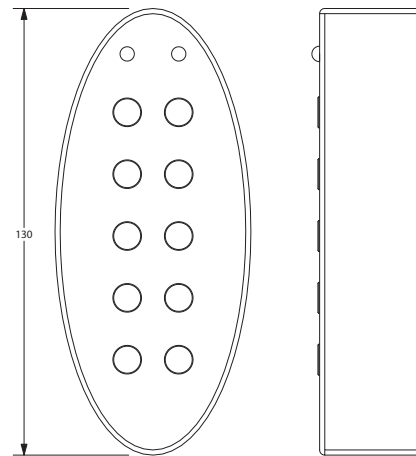
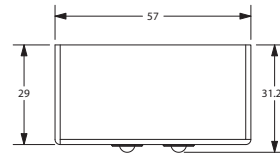
- Flexible operation - Easy to programme with 2 colour visual display. Individual adjustable user code time delay, exit button and 'back to standby' mode from 1 to 99 seconds
- Quick and easy - Fitted by use of wall mounted bracket with just one hidden anti tamper screw required at base of keypad.
- Security in mind – key numbers engraved and marked in black on the keypad face give no sign of usage. Keys are free to rotate without causing and damage to switch contact
- Made to last – Contact material is solid silver conductive ink with metal domes. 1mm neoprene gasket between actuating keys and the membrane switch hence less wear and tear at the switching material as opposed to rubber actuators. Keys made from stainless steel grade 403 with key life of 3 million cycles. Keypad body made from solid silver anodized aluminium.
- Vandal resistant
- IP rated version

**Related hardware:**

7100 Series Electric Strikes, Armlock® 261 & 281 Direct-Pull Magnets, MS Maglock, Armlock® 1354 Mini Electro-Shearmagnet, 1391 Electric, Solenoid Bolt, Push-to-Exit Button, Power Supply Unit.

**SPECIFICATIONS:**

- Dimensions:** 130mm x 57mm x 31.25mm.
- Operating Voltage:** 12 to 18v, AC or DC.
- Current Consumption:** Standby mode approximately 15mA.
- Maximum Operation:** 130mA (not including door strike).
- Door Relay:** 2A at the operating voltage.
- Service Temperature:** -20°C to +70°C.
- Keypad Body:** Solid silver anodized aluminium.
- Key Material:** Stainless steel grade 403. Key numbers engraved and marked in black.
- Key Life:** 3 million cycles.
- Contact Material:** Solid silver conductive ink with metal domes. 1mm neoprene gasket between actuating keys and the membrane switch resulting in less wear at the switching material.
- Weather Resistant Rating:** Complete keypad rated IP65 when fully potted and all connections hardwired. Front face only rated IP65 when unpotted.

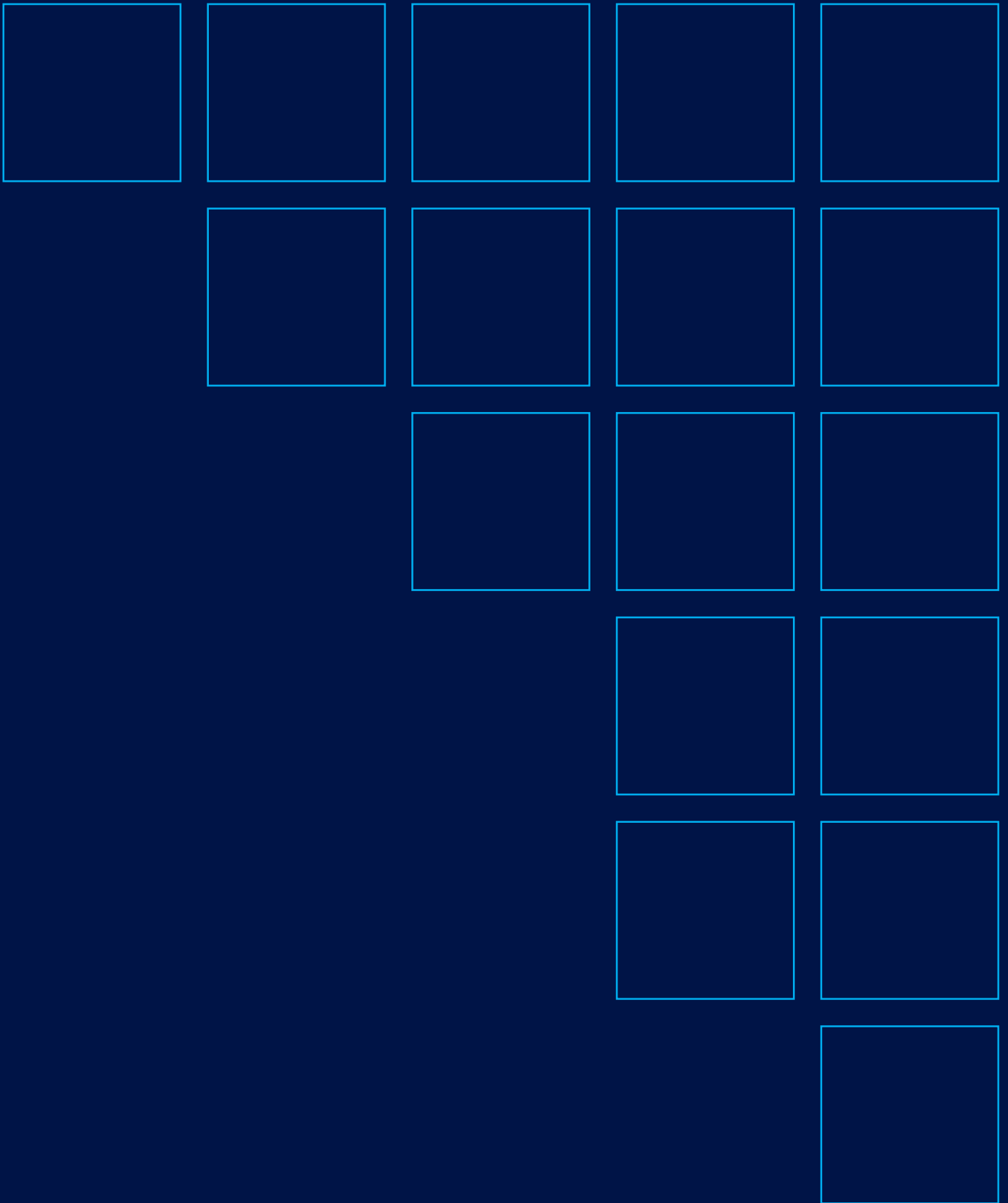


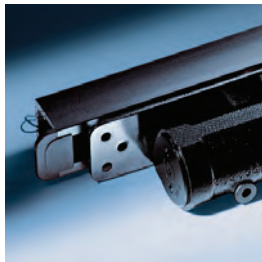
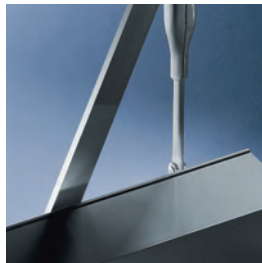
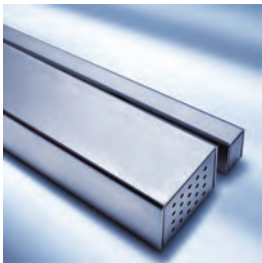












**Door Controls**

- Cam Action
- Electro-Magnetic
- Concealed
- Overhead
- Transom
- Floor Springs
- Hold-Open Magnet
- Door Selector
- Door Stay



specialist suppliers of architectural hardware to the aluminium door and window sector





## Door Controls

Aluspec offer a wide range of quality door closing systems for all kinds of applications. Our range offers the most advanced features and designs, combined with ease of operation. We offer door closing systems to suit the most challenging or simplest environments all with easy application and low maintenance.



High efficiency cam action surface mounted door closer  
with adjustable power with back check & delayed action  
Tested to EN1154



SE SSS PCP SB PB AB BMA Col



**TS93B** Complete door closer with standard slide arm and channel  
door/pull and frame/push side mounting

**TS93G** Complete door closer with standard slide arm and channel  
door/push and frame/pull side mounting

- 2-5
  180° (145° on push side)
  1250mm (internal & external)
- 5-7
  180° (145° on push side)
  1600mm (internal & external)

#### Arm Options:

- /C** c/w Integral co-ordinator closing system t/s pairs of rebated doors, tested to EN1158
- /HO** Electro-mechanical hold open slide arm & channel, 24vDC
  - 80 - 180°
- /SD** c/w Integral smoke detector
- /CSD** c/w Integral smoke detector and co-ordinator closing system t/s pairs of rebated doors

High efficiency cam action surface mounted door closer  
with adjustable power  
Tested to EN1154



SE SSS PCP SB PB AB BMA Col



**TS92B** Complete door closer with standard slide arm and channel  
door/pull and frame/push side mounting

**TS92G** Complete door closer with standard slide arm and channel  
door/push and frame/pull side mounting

Ⓟ 2-4 Ⓢ 180° (145° on push side) Ⓣ 1100mm (Not suitable for outward opening external doors)

#### Arm Options:

/C c/w Integral co-ordinator closing system t/s pairs of rebated doors, tested to EN1158

/HO Electro-mechanical hold open slide arm and channel, 24vDC

Ⓢ 80 - 120°

/SD c/w Integral smoke detector

/CSD c/w Integral smoke detector and co-ordinator closing system t/s pairs of rebated doors

#### Optional extras for all slide arm, face fixed door closers:

**35800093** Dampening limiting stay

Ⓢ 80-120° *This is not to be used in lieu of a physical door stop*

**18570000** Mechanical hold open device

Ⓢ 150° *Not for use on Fire Doors*



Adjustable power, slide arm, face fix door closer  
Tested to EN1154



SE SSS PCP SB PB AB BMA Col



**TS92** Compact, pull side fixing door closer  
c/w Dead stop device  
● 2-4 ● 150° ● 1100mm (Not suitable for outward opening external doors)

**18570000** Mechanical hold open device (Not for use on Fire Doors)  
● 120°

Fixed power electro-magnetic hold open & free swing face fix overhead door closer and slide arm.




Tested to EN1154 & EN1155



SE Col



TS93EMF 24vDC

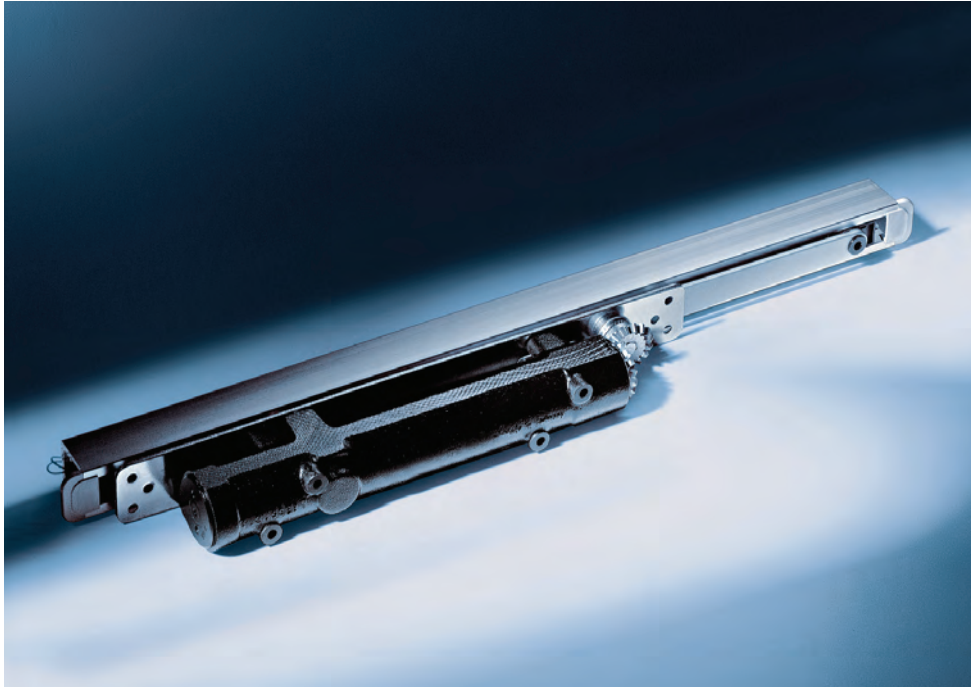
- /PD Pull side, door leaf fixing  
c/w armoured power loop & test switch
  - /PT Pull side, transom fixing
  - /PTS Pull side, transom fixing  
c/w integral power supply & smoke detector in closer unit
  - /PDS Pull side, door leaf fixing  
c/w integral power supply & smoke detector in slide arm channel
-  4  
  180°  
  1100mm (internal)



Concealed overhead door closer, standard



SE SSS PCP PB BMA Col



**ITS96** Complete door closer with standard slide arm and channel  
Third party tested to EN1154, EN1155 when used with an electro-magnetic hold-open arm  
c/w cushioned limiting stay

/S Single action doors

/D Double action doors

⊕ 2-4 ⊕ 120° ⊕ 1100mm (internal) ⊕ 100kg

⊕ 3-6 ⊕ 120° ⊕ 1400mm (internal) ⊕ 180kg

#### Arm Options:

/HO Electro-mag hold open slide arm & channel 24vDC

/L left hand

/R right hand

⊕ 80-120°

#### Optional Extras:

**52003600** Mechanical hold open unit  
For use with standard slide arms and channels (*Not to be used with Fire Doors*)

**18020000** Cushioned limit stop

Concealed overhead door closer, door co-ordinator system



SE SSS PCP PB BMA Col



**ITS96** Complete door closer with slide channel door co-ordinator system  
**Double Door** for pairs of rebated doors

Size 2-4 Door thickness up to 49mm Max

PS 2-4 120° 1400-2200mm 100kg

Size 3-6 Door thickness up to 50mm Min

PS 3-6 120° 1400-2800mm 180kg

#### Intumescent Pack

**40FD3024** 30 Mins - to suit single action door closer

**40FD6024** 60 Mins - to suit single action door closer

**40FDSA24** To suit double action arm/channel 30 & 60 min  
 MUST BE USED in conjunction with relevant single action pack

Power adjustable face fix overhead door closer

Tested to EN1154

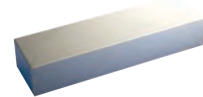


SE SSS PCP PB BMA Col

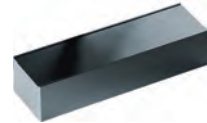


Cover Options:

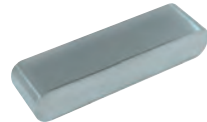
SQ Square Cover



SL Slide Cover



FR Full Radius Cover



SR Semi Radius Cover



- TS83      Power adj face fix overhead door closer
  - P/S 2-4      ▲ 100°      ▶ 1100mm (internal)
- /BC      c/w Back check
  - P/S 2-4      ▲ 180°      ▶ 1100mm (internal)
  - P/S 2-5      ▲ 180°      ▶ 1250mm (internal & external)
  - P/S 7        ▲ 100°      ▶ 1600mm (internal & external)
- /DA      c/w Back check and delayed action
  - P/S 2-5      ▲ 180°      ▶ 1250mm
  - P/S 3-6      ▲ 180°      ▶ 1400mm
- 22003001      Mechanical hold open arm to suit above closers
  - ▲ 150° *(Not to be used with Fire Doors)*
- 28006601      Parallel arm bracket
- 28008101      Soffit bracket and arm  
For standard installation with shaped architrave
- 28006601      Parallel arm bracket with upstand
- 38000301      Angle bracket for use with TS83  
Frame installation on outward opening doors with extra deep reveal
- 38000201      Drop plate installation for use with TS83  
Installation on frame or door when direct fixing of closer is not possible

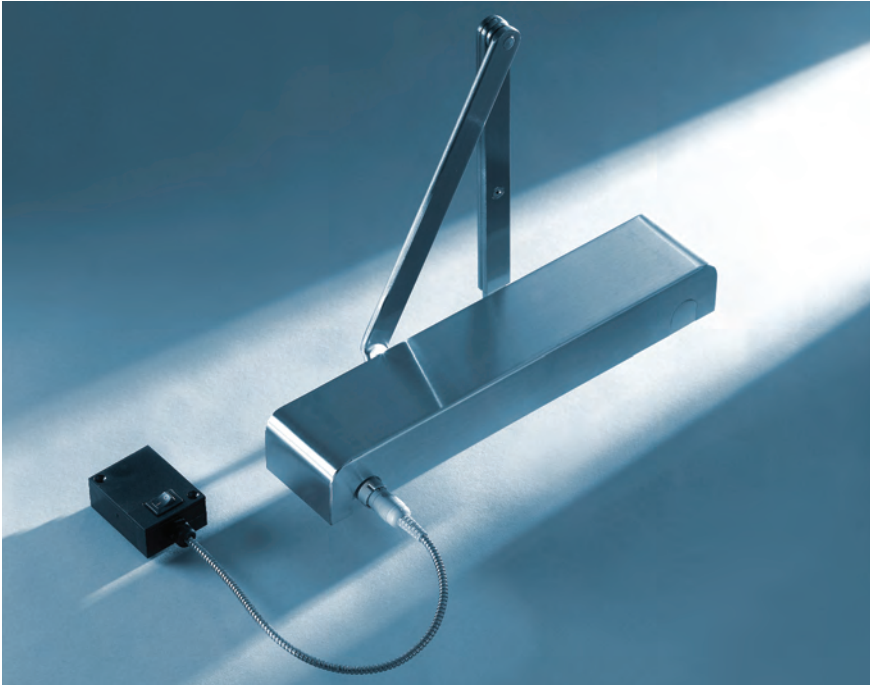


Fixed power electro-magnetic hold open face fix overhead door closer

Tested to EN1154 & EN1155

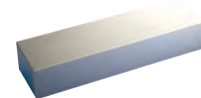


SE SSS PCP PB BMA Col

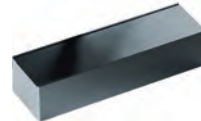


Cover Options:

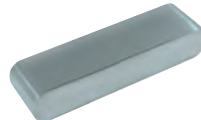
SQ Square Cover



SL Slide Cover



FR Full Radius Cover



SR Semi Radius Cover



TS73EMF Standard arm, 24DC

- PB 4     
 △ 75-180°     
 ↕ 1100mm (internal)
- PB 5     
 △ 75-180°     
 ↕ 1250mm (internal)
- PB 6     
 △ 75-180°     
 ↕ 1400mm (internal)

- 53000501 Free swing arm assembly (for EMF/EMR)
- 75400134 Extended adjustable arm (for transom mounted application)  
To suit frame reveal depths between 70 and 135mm
- 75400101 Extended adjustable arm assembly (for push side fixing)  
To increase door opening to 180° for doorsets with reveal up to 70mm
- 73000110 Mounting backplate, pull and push side fixing  
For doors where no direct fixing is possible
- 23615001150 2-Pin cable and distributor box  
BLACK



## Underfloor spring closers

Tested to EN1154 &amp; EN1155



SE SSS PCP SB PB AB BMA Col



- BTS84** Adjustable power universal underfloor spring closer.  
/40 40mm shallow depth, c/w 8mm spindle and cement box.  
*Not recommended for external use.*
- /MHO** c/w Mechanical hold open @ 90°, c/w 8mm spindle and cement box.  
*Not for use on Fire Doors.*
- ⊕ 2, 3 or 4
⚙ 130°
⬆ 850, 950 or 1100mm
⚖ 100kg
- BTS75V** 50mm depth, c/w mechanical backcheck, 8mm spindle and cement box.  
/MHO/90 c/w Mechanical hold open @ 90°, c/w 8mm spindle and cement box.  
*Not for use on Fire Doors.*
- /MHO/105** c/w Mechanical Hold Open @ 105°, c/w 8mm spindle and cement box.  
*Not for use on Fire Doors.*
- ⊕ 1 - 4
⚙ 180°
⬆ 1100mm (internal & external)
⚖ 120kg
- BTS80** 60mm depth, c/w mechanical backcheck, adjustable delayed action, mechanical on/off hold open feature, 8mm spindle and cement box.  
*Not for use on Fire Doors.*
- ⊕ 3, 4, or 6
⚙ 180°
⬆ 950, 1100 or 1400mm (internal & external)
⚖ 300kg
- BTS80F** 60mm Depth, c/w Mechanical backcheck and cement box.  
/EHO c/w Electro-hydraulic hold open, mechanical backcheck and cement box  
/EFS c/w Electro-hydraulic swing free and cement box (handed)
- ⊕ 4, 5, or 6
⚙ 180°
⬆ 1100, 1250 or 1400mm (internal & external)
⚖ 300kg

**Roller bearing floor pivot:**

7471K	Square thrust	⦿ 200kg
7471AX	Square angular contact	⦿ 300kg
7475AX	Rectangular angular contact	⦿ 300kg

**Cover Plates:**

46700XXX	Underfloor spring closer cover plate 324x130mm, 308x105mm, 358x105mm SSS PSS (Only)
----------	---

**Spindle options:**

45200401	Standard 8mm clearance from top of spring closer unit to underside of door
452004XXX	Extended clearance from top of spring closer unit to underside of door 13, 15.5, 18, 20.5, 23, 28, 33, 36, 38, 43, 48, 53 and 58mm <i>Sizes are in addition to standard 8mm clearance.</i>
LH45205418	Standard 8mm clearance from top of spring closer unit to underside of door, 3° offset
RH45201418	Left hand or right hand available.

**Bottom strap:**

7411/56	Single action: 36mm offset for timber doors
7421	Double action: for timber doors

**Miscellaneous Accessories:**

45090059	Sealing compound for floor springs, to fill cavity between spring body and cement box to prevent moisture penetration one compound per spring requirement
8066	D/A Steel top centre
8062	D/A Die cast top centre
4052109997	Intumescent pack t/s single action offset (suits both 5 and 36mm) door straps and top centres For use on 60 minute Fire Doors
4052109998	Intumescent pack t/s double action door straps and top centres For use on 60 minute Fire Doors

Fixed power transom concealed door closer

Tested to EN1154

SE



**RTS85** Complete door closer with standard arm  
**/NH** Non hold open  
**/NH/5** c/w 5mm extended spindle  
**/NH/10** c/w 10mm extended spindle

**/H90** Hold Open 90°  
**/H90/5** c/w 5mm extended spindle (EN4 ONLY)  
**/H90/10** c/w 10mm extended spindle

**/H105** Hold Open 105°  
**/H105/5** c/w 5mm extended spindle (EN4 ONLY)  
**/H105/10** c/w 10mm extended spindle

- 
- 
- 

Max door weight: see floor pivot

**Arm Options:**

- 85210001** Single slide channel arm
- 85210003** Single slide channel arm cranked
- 85210035** Pinch free arm
- 85210005** Side load arm with channel
- 85210009** End load arm with channel

**Pivots:**

- 85210021** Universal end load floor pivot 90kg
- 85210022** Universal side load floor pivot 90kg
- 85210023** Universal end load threshold pivot 90kg
- 85210024** Universal side load threshold pivot 90kg

**Optional Extras:**

- 4085000035** Cover plate for timber
- 4085000034** Cover plate for steel/aluminium
- 65000040** Fixing bracket
- 23906001140** Fixing bracket for 65mm pivot point



Hold-Open Magnet

WHT SSS



MAG



MAT



MAW



Angle Bracket



**EM100U** Hold-open magnet  
 100N or 400N Holding force, 24vAC/DC  
 Can be floor mounted when used in conjunction with a floor angle bracket

- /SM Surface mounted
- /SMO Surface mounted c/w test/manual override button
- /FM Flush wall mounted

**EM500-H** Floor, ceiling or wall mounted  
 490N holding force, 24vDC. c/w test/manual override button

- ↔ 150mm ↔ 175mm
- ↔ 300mm ↔ 325mm
- ↔ 450mm ↔ 475mm

- MAG** Flexible armature strike plate for hold-open magnet
- MAT** Telescopic heavy duty armature strike plate for hold-open magnet
- MAW** Swivelling armature strike plate for hold-open magnet
- Angle bracket for enabling floor mounting of hold-open magnets  
 EM100A, G & EM500A, G



**AR226**

Door selector BS EN1158

➔ 1220mm (internal)

SE GE PSS PB Col



**SR250F**

Roller arm door selector

➔ 190, 220, 250, 300 or 350mm

SE GE SSS PSS PB Col



**D6095-01**

Adjustable friction mortice restraining stay

➔ 395, 495mm

SE



**7105**

Face fixing door friction stay

⚙️ 90° or 110°

SE

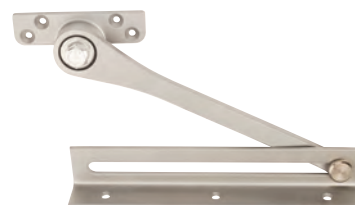


**7107**

Face fixing adjustable friction door limiting stay

➔ 203 or 229mm ⚙️ 90°

SE GE SSS SCP PCP PB



**W1621**

Telescopic pattern friction door holder

➔ 500-700mm or 700-910mm

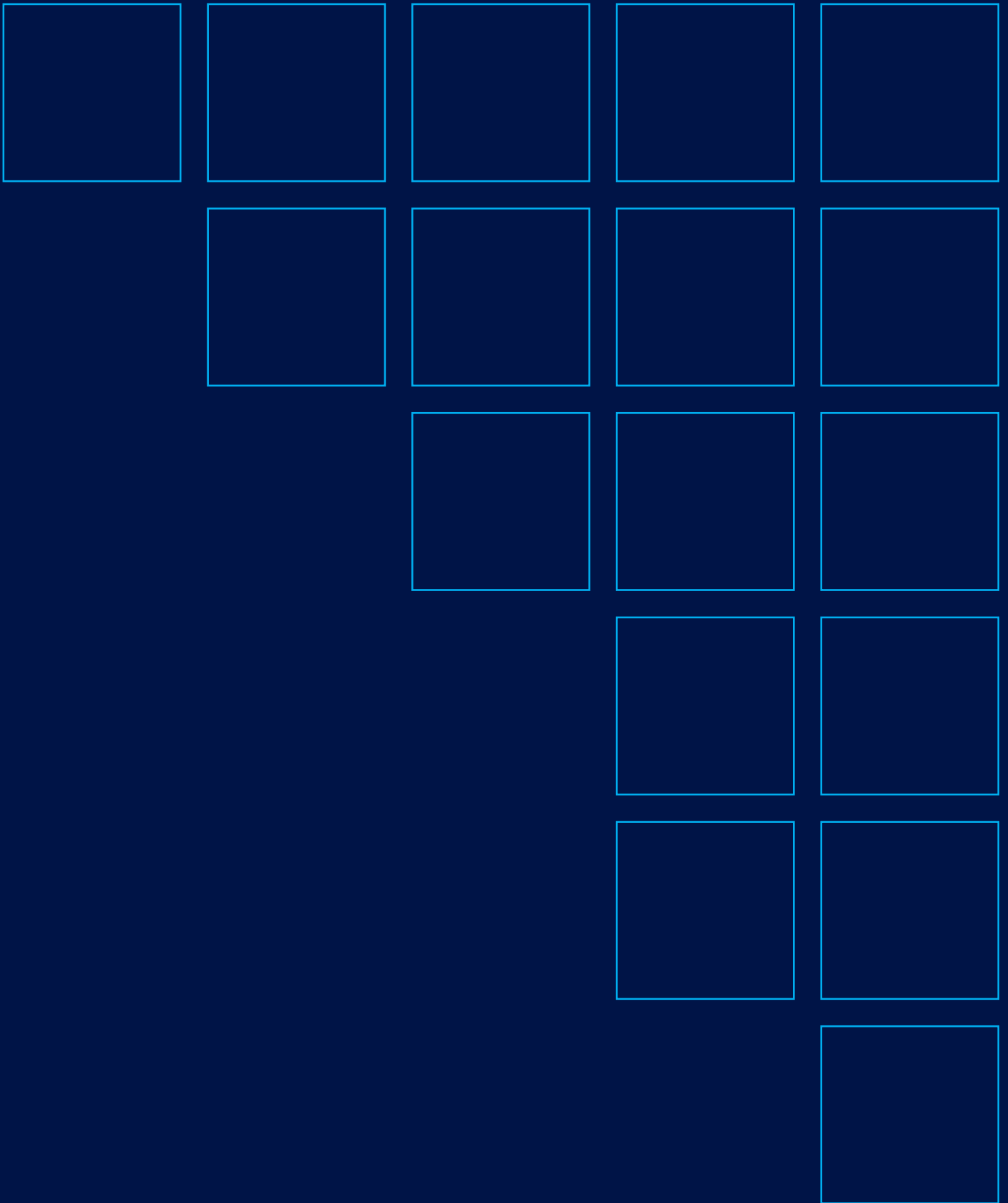
SE

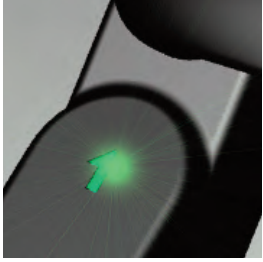












## Panic Hardware

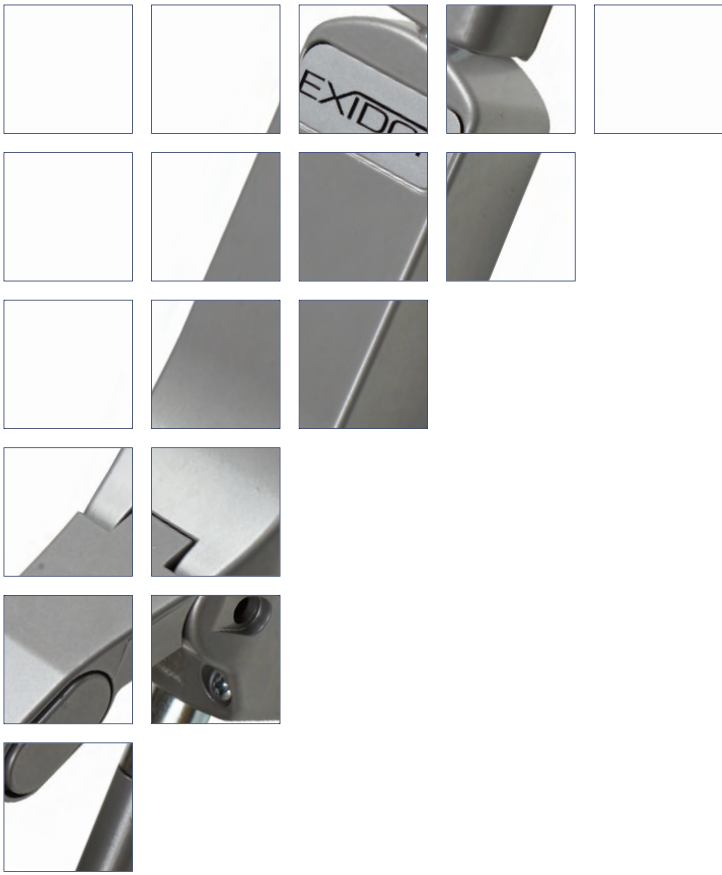
Exidor

Strand

Dorma

Ingersoll Rand





## Panic Hardware

Aluspec can offer a wide ranging panic and emergency exit hardware selection. All devices are designed to give instant escape, when required, by means of either a push pad, push bar, lever handle or touch bar on single or double doors, and can be operated from the outside of the door by an outside access device. When the outside access device is locked the door can still be released from the inside. In addition we have several keep options for all applications and systems.



**EXIDOR 293****Push Pad Single Panic Bolt**

EN 179 : 2008

The Exidor 293 is an elegant and highly functional panic bolt for single and double door applications. Incorporated as standard is an automatic top trip and easy clean floor socket. The main body is fitted with an anti-thrust device, which prevents leverage of both the top and bottom shoot bolts from their sockets.

- Non-handed
- Fire rated for use on timber and steel doors
- Surface mounted

**EXIDOR 294****Single Panic Bolt**

The Exidor 294 is an elegant and highly functional panic bolt for single and double door applications. Incorporated as standard is an automatic top trip and easy clean floor socket. The main body is fitted with an anti-thrust device, which prevents leverage of both the top and bottom shoot bolts from their sockets.

- Non-handed
- Fire rated for use on timber and steel doors
- Surface mounted
- Closed arm design



**EXIDOR 296****Reversible Panic Latch**

EN 1125 : 2008

The Exidor 296 is designed for single and double door applications. The unit is operated by a downward thrust of the cross bar to give a speedy exit in panic situations.

An adapter for use with a rim cylinder for outside access is supplied as standard

- Non-handed
- Fire rated for use on timber and steel doors
- Surface mounted
- Adapter supplied for operating with a rim cylinder
- Closed arm design

**Standard sizes**

Standard size panic latches are suitable for single doors up to 1220mm wide. Special sizes are available on request.

**Additional options**

The Exidor reversible panic latch can be supplied with

- Steel door fixings (suffix 'SD' after the product code)
- Microswitch (suffix 'MS' after the product code)  
Optional accessories for the 296 panic latch
- 298 Outside access device - knob operated
- 302EA Outside access device with Euro aperture - knob operated
- 302EC Outside access device with Euro cylinder - knob operated
- 302OA Outside access device with oval aperture - knob operated
- 302OC Outside access device with oval cylinder - knob operated
- 322EA Outside access device with Euro aperture - lever operated
- 322EC Outside access device with Euro cylinder - lever operated
- Optional accessories for all the panic latches
- CL1 Mechanical push button outside access device
- CL2 Mechanical push button outside access device with passage facility
- CL3 Quick code mechanical push button outside access device
- CL4 Quick code mechanical push button outside access device with passage facility

**EXIDOR 297****Push Pad Panic Latch**

EN 179 : 2008

The Exidor 297 is a surface mounted rim latch for single and double door applications. Simply depressing the pad provides safe and speedy exit in the event of an emergency, whilst maintaining security against intrusion. An adapter for use with a rim cylinder for outside access is supplied as standard.

- Non-handed
- Fire rated for use on timber and steel doors
- Surface mounted
- Adapter supplied for operating with a rim cylinder



**EXIDOR 298****Knob Operated Outside Access Devices**

The Exidor 298 is an economical OAD supplied with 2 keys and a 5 pin cylinder which cannot be master keyed. Suitable for use with the Exidor 200 & 300 series bolts and latches, the Exidor 298 offers access from the outside of the door.

- Non-handed
- Fire rated for use on timber and steel doors
- Surface mounted on the outside of the door using concealed machine screws
- Supplied as standard for doors up to 60mm thick
- Longer spindles and screws are available on request for door thicknesses over 60mm.

**EXIDOR****299 Dogging Device**

For use with the Exidor panic bolt and Pullman latch ranges, a dogging device is available as an accessory (Exidor 299). The dogging device allows the bolts to be withheld in the retracted position ensuring the automatic top trip catch or Pullman latch do not engage when the door is closed.



**EXIDOR 300**

**Double Rebated Door Keep**

Used for rebated double doors for the Exidor 296 Push bar panic latch & 297 push pad panic latch.

**Construction:** Mild steel

**Finish:** Powder coated. RAL finish available on request plated finish available



**EXIDOR 302**

**Knob Operated Outside Access Devices**

302 Knob Operated Outside Access Devices. The Exidor 302 is supplied with 3 keys and has the advantage that a master keyed 40mm oval or Euro profile cylinder can be used. Suitable for use with the Exidor 200 & 300 series bolts and latches, the Exidor 302 offers access from the outside of the door.

- Non-handed
- Fire rated for use on timber and steel doors
- Surface mounted on the outside of the door using concealed machine screws
- Supplied as standard for doors up to 45mm thick
- Longer spindles and screws are available on request for door thicknesses over 45mm.

**Performance**

When locked, the mechanism is disengaged allowing the knob to freely rotate. When unlocked, the knob, spindle and mechanism engage allowing the shoots or latches of the panic bolt, or the panic latch, to be withdrawn from the outside. The knob remains engaged until it is re-locked.

**Finishes**

A choice of finishes are available (see page 4). However, plated finishes are not recommended for external environments as harsh conditions can break down the plating.

**Options available**

- 302EA outside access device with Euro profile aperture
- 302EC outside access device supplied with Euro cylinder
- 3020A outside access device with oval profile aperture
- 3020C outside access device supplied with oval cylinder
- 302KA outside access device with Kaba profile aperture
- 302EC/RK outside access device with key retention supplied with Euro cylinder
- 302EA/RK outside access device with key retention with Euro profile aperture



**EXIDOR 305****Panic Mortise Actuator with Cylinder Mortise Night Latch**

EN 1125 : 2008

The Exidor 305 offers a Push bar actuator unit with a cylinder mortise night latch case that can be supplied with or without a Euro profile cylinder for access from the outside. A mortise plate is supplied as standard. The unit provides security on the outside with ease of escape from the inside in panic situations.

- Non-handed
- Surface mounted
- Closed arm design

**EXIDOR 306****Push Pad Mortise Actuator with Cylinder Mortise Night Latch**

EN 179 : 2008

The Exidor 306 offers a push pad actuator unit with a cylinder mortise night latch case that can be supplied with or without a Euro profile cylinder for access from the outside. A mortise plate is supplied as standard. The unit provides security on the outside with ease of escape from the inside in emergency situations.

- Non-handed
- Surface mounted



**EXIDOR 322**

**Lever Operated Outside Access Device**

**EXIDOR 322EC**

**Lever Operated OAD Supplied with Euro Cylinder**

Suitable for use with the Exidor 200 and 300 series, the 322 offers access from the outside of the door.

- Non-handed
- Meets the dimensional requirements of BS8300 and approved Document "M" (DDA)
- Lever is supplied with special shear screw designed to break under excessive force
- Surface mounted on the outside of the door using three concealed machine screws
- Same fixing points as the 302 OAD - easy retro fit
- Supplied as standard for doors up to 55mm thick
- Longer spindles available on request for door thicknesses over 55mm
- Longer spindles available on request for door thicknesses over 70mm



**REDLAM Panic Bolt**

Manufactured from cast aluminium, Redlam panic bolts are the economical solution to the problem of providing reliable security for internal emergency exits.

**46/32207**

**MARK 1 Panic Bolt**

Designed for emergency exit single doors. Breaking the Ceramtube™ results in the bolt sliding back automatically and unlocking the door.

**46/32951**

**MARK 2 Panic Bolt**

Designed for interconnecting emergency exit doors. Operates on one side of the door by breaking the Ceramtube™ and on the other side of the door by pushing the knob.

Both versions are supplied complete with hammer and chain.

Padlocks and "To open break tube" signs are available separately.

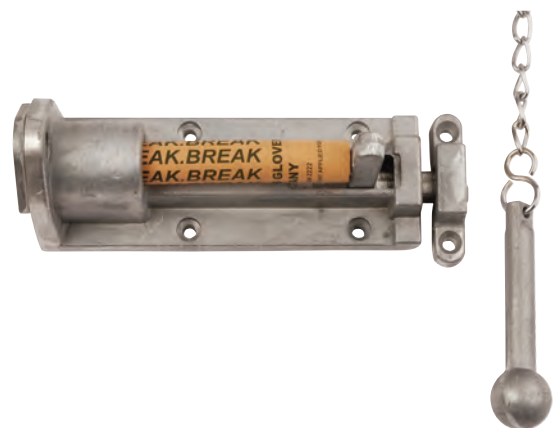
Use of an optional padlock prevents unauthorised removal of Ceramtube™ without breaking the tube itself.

**46/57050 Ceramtube™**

Replacement cartridges for both Mk I and Mk II Redlam panic bolts.

Designed to produce no sharp edges when smashed.

Packed in boxes of twenty.



**STRAND ANTIPANIC MODULAR**

PH350 Reversible single point panic latch

PH357 Reversible 3 pointpanic latch

PH355 Reversible 3 pointpanic bolt

BS EN 112

This type of device is suitable for all public buildings such as hotels, schools, shops, hospitals, nightclubs etc. where people are unfamiliar with the surroundings.

**Strand Antipanic Modular Push Bar**

The Modular push bar panic device range comprises of modular components - standard mechanism, idler and cross arm together with either vertical or side entry pullmans to give variants of one, two or three point latches or two/three point bolts.

The reversible mechanisms, idlers, pullmans and vertical rod covers are available in powder coated finishes of silver, black, white or metallic silver plus the option of a satin anodised aluminium, stainless steel or green cross arm. It is also available in satin stainless steel plated finish. Various RAL colours are available to special order - please enquire for details.

Supplied with striker plates for timber doors, but also available for PVC-U, aluminium or steel doors.

**Dogging Facility**

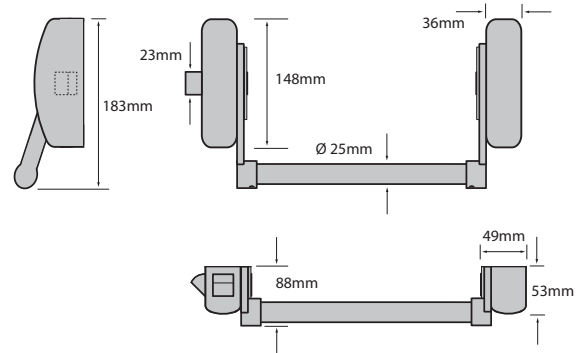
The modular range is available with or without a dogging facility - please specify at time of ordering. Please note that current legislation of BS EN1125 specifies that for fire/smoke door assemblies the panic device shall not include any form of dogging mechanism. Therefore any device incorporating dogging can be used on escape doors only.

**Microswitch**

The modular range also offers the option of a microswitch housed in the device. Please specify whether a microswitch is required in mechanism, idler or both.

**Outside Access**

Optional outside access devices with lever handle or knob are available in various finishes (see page 9). These are available as standard or key retaining versions and can be supplied with standard or high security cylinders. Where outside access is required, a hole pierced to take an 8mm square spindle and two further holes of 10mm diameter for the screw ports will be required to connect the device and outside access together.





**Handing of Reversible Devices**

All devices can be converted from left hand to right hand in minutes. Simply remove the two screws together with bracket and rotate the arm to the opposite position. Replace bracket and screws. The idler mechanism is converted in exactly the same way.

**Size of Doors**

Standard devices suit doors up to 2650mm high by 1050mm wide; for wider doors the range includes cross arms of 1150mm or 1450mm. Vertical rods are available to suit doors up to 3150mm high.

**Fixing**

Entirely surface mounted except where outside access function is required.

Full instructions are supplied with each device.

**Packaging**

Individually packed in a strong purpose made cardboard carton.

**Finishes**

The finishes below are applicable to all products in the modular range. Other colours and finishes may be produced to special order.

\* Plated finishes may be produced to special order.

**Glass Doors**

Patch fittings suitable for glass doors are available for the modular range - please enquire for details.

Powder coated	Plated Finishes
Silver EPS (20)	Satin Stainless Steel Plated SSSP (44)
Black EPB (01)	Satin Stainless Steel Plated with Green cross arm SSGN (84)
White EPW (25)	*Polished Stainless Steel Plated finish PSSP (55)
Metallic Silver MSP (59)	*Polished Brass Plated finish BP (43)
Silver with Green cross arm SGN (82)	
Black with Green cross arm BGN (81)	
White with Green cross arm WGN (85)	
Metallic Silver with Green cross arm MSGN (89)	
Black with SAA cross arm BSR (80)	
Other colours (00)	



**STRAND ANTIPANIC MODULAR**

PH352 Reversible single point push pad exit latch

PH356 Reversible 3 point push pad exit bolt

PH358 Reversible 3 point push pad exit latch

BS EN 179

This type of device is suitable for all public buildings such as hotels, schools, shops, hospitals, nightclubs etc. where people are unfamiliar with the surroundings.

**Strand Antipanic Modular Push Pad**

The push pad emergency exit range comprises of modular components from the push bar range together with a push pad and options of either vertical or side entry pullmans to give variants of one, two or three point latches or bolts. The mechanism body, pullmans and vertical rod covers are available in powder coated finishes of silver, black, white or metallic silver. It is also available in satin stainless steel plated finish. The push pad device is available in the finishes above and features a green photoluminescent insert. Supplied with striker plates for timber doors, but available also for PVC-U, aluminium or steel doors.

**Dogging Facility**

The modular range is available with or without a dogging facility— please specify at time of ordering.

Please note that current legislation of BS EN179 specifies that for fire/smoke door assemblies the emergency device shall not include any form of dogging mechanism. Therefore any device incorporating dogging can be used on escape doors only.

**Microswitch**

The modular range also offers the option of a microswitch housed in the device. Please specify whether microswitch is required at time of ordering.

**Outside Access**

Optional outside access devices with lever handle or knob are available in various finishes. These are available as standard or key retaining versions. Where outside access is required, a hole pierced to take an 8mm square spindle and two further holes of 10mm diameter for the screw ports will be required to connect the device and outside access together.

**Handing of Reversible Devices**

All devices can be converted from left hand to right hand in minutes. Simply remove the two screws together with bracket and rotate the arm to the opposite position. Replace bracket and screws. The push pad is simply positioned into aperture of arm and secured with grub screw.

**Size of Doors**

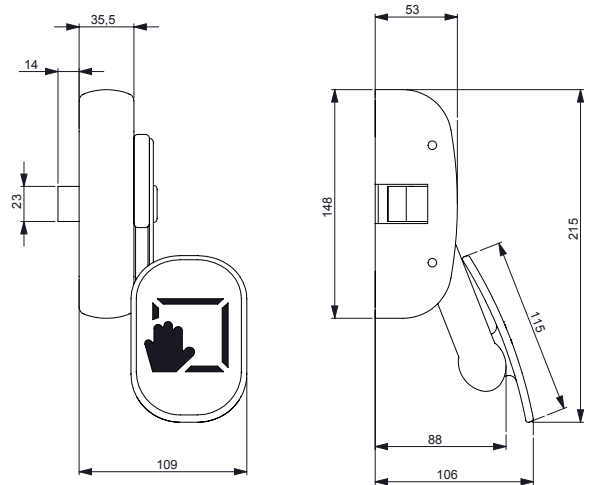
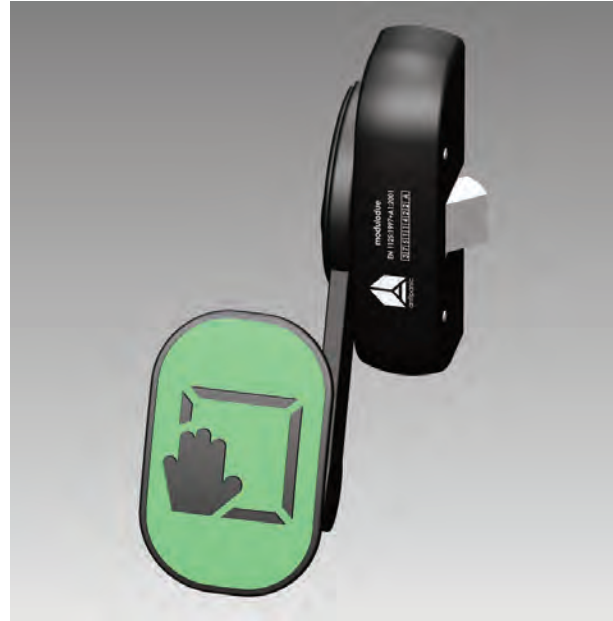
To suit doors up to 2650mm high: Extra long vertical rods are available for doors up to 3150mm high.

**Finishes**

The finishes below are applicable to all products of the modular push pad range. Fixing entirely surface mounted except where outside access functions required. Full instructions are supplied with each device.

**Packaging**

Individually packed in a strong purpose made cardboard carton.



<b>Powder coated</b>
<b>Silver EPS (20)</b>
<b>Black EPB (01)</b>
<b>White EPW (25)</b>
<b>Metallic Silver MSP (59)</b>
<b>Other colours (00) may be produced to special order</b>

<b>Plated Finishes</b>
<b>Satin Stainless Steel Plated SSSP (44)</b>

**STRAND ANTIPANIC TOUCH BAR**

PHT50 Reversible single point touch bar latch

PHT55 Reversible 3 point touch bar bolt

PHT57 Reversible 3 point touch bar latch

BS EN 1125

This type of device is suitable for all public buildings such as hotels, schools, shops, hospitals, nightclubs etc. where people are unfamiliar with the surroundings.

**Strand Antipanic Touch Bar**

The touch bar panic exit range comprises of modular components - the full width touch bar mechanism (complete with dogging as standard) can be used with either vertical or side entry pullmans to give variants of one, two or three point latches or two/three point bolts. Supplied with striker plates for timber doors, but also available for PVC-U, aluminium or steel doors. The reversible touch bar mechanism, pullmans and vertical rod covers are available in powder coated finishes of silver, black and white together with a new "metallic silver" effect painted finish plus the option of a green or touch bar. It is also available in satin stainless steel plated finish. Various RAL colours are also available - please enquire for details.

**Dogging Facility**

The touch bar range is available with or without a dogging facility - please specify at time of ordering. Please note that current legislation of BS EN1125 specifies that for fire/smoke door assemblies the panic device shall not include any form of dogging mechanism. Therefore any device incorporating dogging can be used on escape doors only.

**Microswitch**

The touch bar range also offers the option of a microswitch housed in the device. Please specify whether microswitch is required at time of ordering.

**Outside Access**

Optional outside access devices with lever handle or knob are available in various finishes. These are available as standard or key retaining versions. Where outside access is required, a hole pierced to take an 8mm square spindle and two further holes of 10mm diameter for the screw ports will be required to connect the device and outside access together.

**Finishes**

The finishes below are applicable to all products of the modular push pad range.

**Size of Doors**

To suit doors up to 2650mm high by 860mm wide - extra wide touch bars of 1170mm and 1300mm are available for doors exceeding these dimensions. Extra long vertical rods and covers are also available for doors up to 3150mm high. Standard size touch bar 840mm can be cut down to 300mm for a small door leaf.

**Finishes**

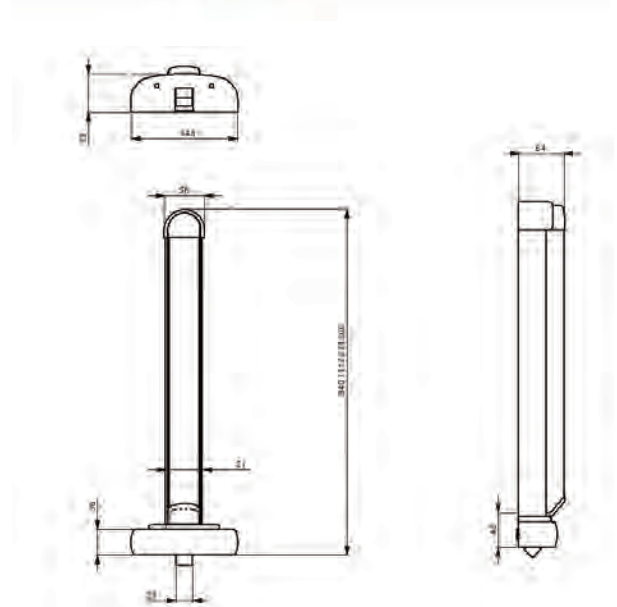
The finishes below are applicable to all products of the modular push pad range. Fixing Entirely surface mounted except where outside access function is required. Full instructions are supplied with each device.

**Fixing**

Entirely surface mounted except where outside access function is required. Full instructions are supplied with each device.

**Packaging**

Individually packed in a strong purpose made cardboard carton.



<b>Powder coated</b>
<b>Silver EPS (20)</b>
<b>Black EPB (01)</b>
<b>White EPW (25)</b>
<b>Black with Green cross arm BGN (81)</b>
<b>Black with SAA cross arm BSR (80)</b>
<b>Other colours (00) and Metallic Silver MSP (59) may be produced to special order</b>
<b>Plated Finishes</b>
<b>Satin Stainless Steel Plated SSSP (44)</b>

**STRAND ANTIPANIC**

**OUTSIDE ACCESS DEVICES**

**PH361-01 OAD - with lever handle**

(complete with standard cylinder)

**PH361-02 OAD - with lever handle**

(key retaining version with standard cylinder)

**PH371-01 OAD - with knob**

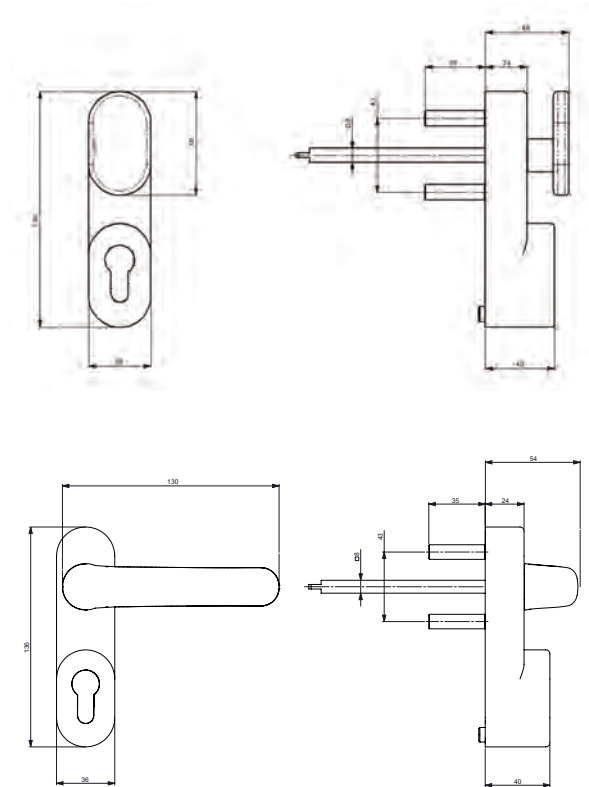
(complete with standard cylinder)

**PH371-02 OAD - with knob**

(key retaining version with standard cylinder)

**Strand Antipanic Outside Access Devices**

Optional outside access devices with lever handle or knob are available in powder coated finishes of silver, black, white or metallic silver. It is also available in satin stainless steel plated finish. Where outside access is required two threaded screws allow the centre mechanism of the device and outside access to be bolted securely together. The Strand Antipanic outside access devices are supplied complete with a standard 39mm half cylinder. In addition to the standard type of outside access device a key retaining version (where the key can only be withdrawn in the locked position) is also available. Keyed alike and high security options are available to order.



**ELECTRICAL ACCESSORIES**

- EL1651 Electric Release (manual over-ride)
- EL1653 Electric Release
- EL1025 Transformer
- EL6360 Electric Contacts
- EAMA10 Emergency Exit Alarm
- EA1998-1 Exit Alarm

**Electric Releases**

EL1651, EL1653 suitable for single point push bar and touch bar devices. Power supply 6-12v Input 0,5 - 0,8A Tested to 250000 operations. Suitable for single doors only. EL1651 - Strike is released on electrical impulse and remains released until door has been operated and re-closed. With manual release lever to allow free passage (if required). The striker comes complete with plastic packing plates to allow spacing between 1mm and 14mm. The electric strikes are primarily designed for aluminium sections, however they may also be used on recessed timber or steel doors with the modified fixing plate (EL1650). EL1653 - As 1651 but without manual override.

**Finishes**

Black EPB (01) Silver EPS (20) White EPW (25)

**Transformer**

Variable power 230v (50Hz) to 4, 8 or 12v. Surface mounted. Dimensions 85 x 62 x 52mm (l x w x d)

**Electric Contacts**

For use on hinge side of door. Black nylon with brass contacts.

**EAMA10 Emergency Exit Alarm**

Self contained and powered by four AA size batteries. The alarm sounds when the door is opened. Simple to install with a magnetic contact, it is easy to program with a 4 digit security code. When activated the alarm emits a 130db siren for a short period. The alarm also features a battery low indicator. Dimensions: 160 x 65 x 35 (h x w x d).

**EMA1998-1 Exit Alarm**

A self contained and self powered security device to protect and deter the unauthorised use of emergency doors. It is a versatile, reliable and easy to fit electronic door alarm. If the door is opened a 110dB alarm is emitted. A key operated override facility is incorporated into the front of the unit which will allow authorized use of the emergency door. Exit Alert is injection moulded in Red or Green flame retardant polycarbonate and has four alternative magnetic reed positions allowing it to be fitted on left or right hand side or at the top of door. A double door version (EA1998-2) is available, this contains an alarm unit plus additional magnets and contacts to allow fitment to each leaf. Dimensions: 125 x 125 x 47mm (w x h x d).



EL6360 - Electric Contacts



EL1025 - Transformer



PH381 - Electronic Outside Access Device



EMA1998-1 Exit Alarm



EAMA10 Emergency Exit Alarm

**PHEL5-04**  
**STRAND ANTI PANIC ELECTRIC PUSH BAR**

Electric push bar latch c/w dogging  
 BS EN1125

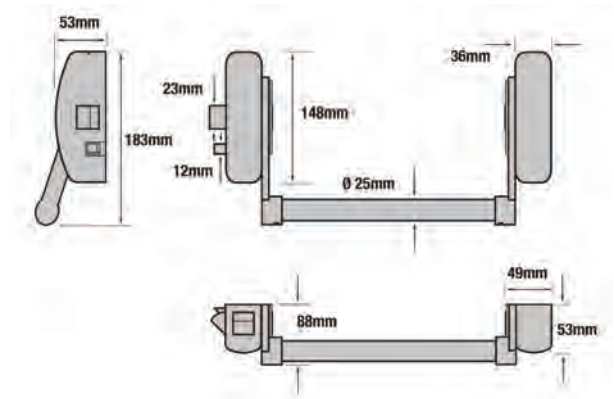
**Strand Antipanic Electric Push Bar**

A single point electric exit device with a push bar. Similar in design to the Modular range of panic hardware, the exit device operates as a panic latch from inside but can be connected to a variety of access entry systems such as a digital keypad, proximity reader, swipe card or push button to allow controlled access from outside. The surface mounted mechanisms and idlers are available in black with the option of green or silver anodised cross arm. The devices are supplied with a dogging device to allow free access if required.

Optional outside access devices are available.  
 The latches operate on 12v AC/DC electrical supply.  
 The EL1025 Transformer 230v/12v.  
 Will provide suitable mains adaption(supplied separately).

**Finishes**

The mortice range is available in Black as standard with Green or Silver anodised crossarm. Other finishes are available to special order. Black with Green cross arm BGN (81) Black with Silver anodised cross arm BSR (80)



**PHTEL-04**

**STRAND ANTI PANIC ELECTRIC TOUCHBAR**

Electric touch bar latch c/w dogging  
BS EN1125

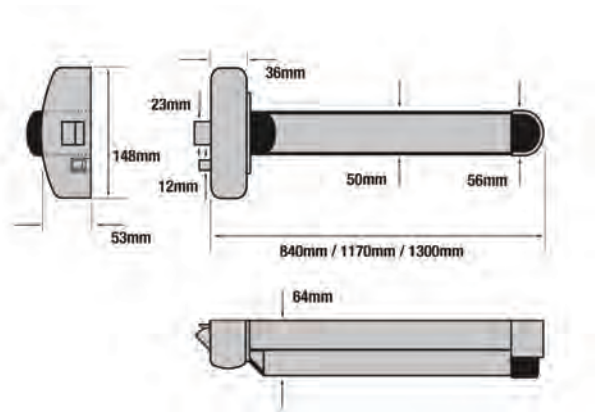
**Strand Antipanic Electric Touch Bar**

Similar in design to the standard touch bar, the electric touch bar operates as a panic latch from inside but can be connected to a variety of access entry systems such as a digital keypad, proximity reader, swipe card or push button to allow controlled access from outside. The surface mounted mechanism is available in black with choice of green or silver anodised touch bar. The device is supplied with a dogging device to allow free access if required.

Optional outside access devices are available.  
The latches operate on 12v AC/DC electrical supply.  
The EL1025 Transformer 230v/12v AC  
Will provide suitable mains adaption (supplied separately).

**Finishes**

The mortice range is available in Black as standard with Green or Silver anodised cross arm. Other finishes are available to special order. Black with Green cross arm BGN (81)  
Black with Silver anodised cross arm BSR (80)



**ANTIPANIC ACCESSORIES**

**5000 Digital lock**

- PH35K73 Vertical pullmans and covers
- PH35K83 Horizontal pullmans and covers
- PH35K93 Rods and covers
- PH35K9L Extra long rods and covers
- PH311-01 Cross arm (950mm)
- PH311-02 Cross arm (1150mm)
- PH311-03 Cross arm (1450mm)
- PH3350 Push pad with insert

**ES5000**

Outside Access Digital Lock which has been specially adapted for use with Antipanic Modular Push Bar, Push Pad and Touchbar devices. Note: Keypad side only supplied.

**Rods, rod covers and pullmans**

All Rods, rod covers and pullmans are available in the various standards finishes of silver, black and white. Plated finishes, other colours and the new "Metallic Silver" are available to special order. The pullmans complete with covers are available in either vertical or horizontal (side entry) versions. All Strand Antipanic 3 point devices are supplied with standard size rods and covers which are suitable for doors up to 2650mm high. A longer version for doors up to 3150mm high is available.

- PH35K73 Pair of vertical pullmans and covers.
- PH35K83 Pair of horizontal pullmans and covers.
- PH35K93 Pair of threaded rods and covers.  
Suitable for doors up to 2650mm.
- PH35K9L Pair of threaded rods and covers. Suitable for doors up to 3150mm.
- PH3350 Push pad device. Available in various finishes and features a green photoluminescent insert.
- PH311 Push bar. Aluminium reinforced push bar (or cross arm) suitable for modular push bar, mortice and electric ranges available in Silver anodised, white, black and green. The cross arm is also available in stainless steel.



**ES5000 Digital Lock**



**PH35K83 Side entry pullmans  
PH35K93 Rods and covers**



**PH35K73 Vertical pullmans  
PH35K93 Rods and covers**

**ANTIPANIC STRIKERS**

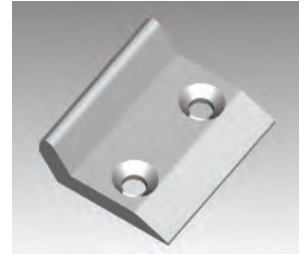
- PH4300 Top and centre striker for aluminium and steel flush applications
  - PH4303 Top and centre striker for recessed or flushed timber applications
  - PH4304 Standard floor striker
  - EX9310 Top and centre striker for chamfered or sculptured PVC-U profiles
  - EX9311 Top and centre striker for standard PVC-U profiles
  - EX9304-5\* Alternative floor striker or recessed aluminium and timber frame striker
  - EX9304-6\* Easy clean floor striker for use when bolt is dogged regularly
- \*This Striker has not been tested on fire and smoke door assemblies

Typical door/frame sections showing correct use of strikers.  
Please ensure you have the correct strikers for the door material and application.  
A range of PVC-U profile related strikers is also available.

For a pair of straight edge doors two panic bolts should be fitted.  
For a pair of rebated doors a panic latch should be fitted to the first opening leaf, using striker PH4303 (for timber) or PH4300 (for aluminium or steel) and a panic bolt (latching top and bottom) fitted to the second opening leaf.  
For extra security a 3 point panic latch may be used on the first opening leaf.  
Further information available on request.



PH4300 Aluminium



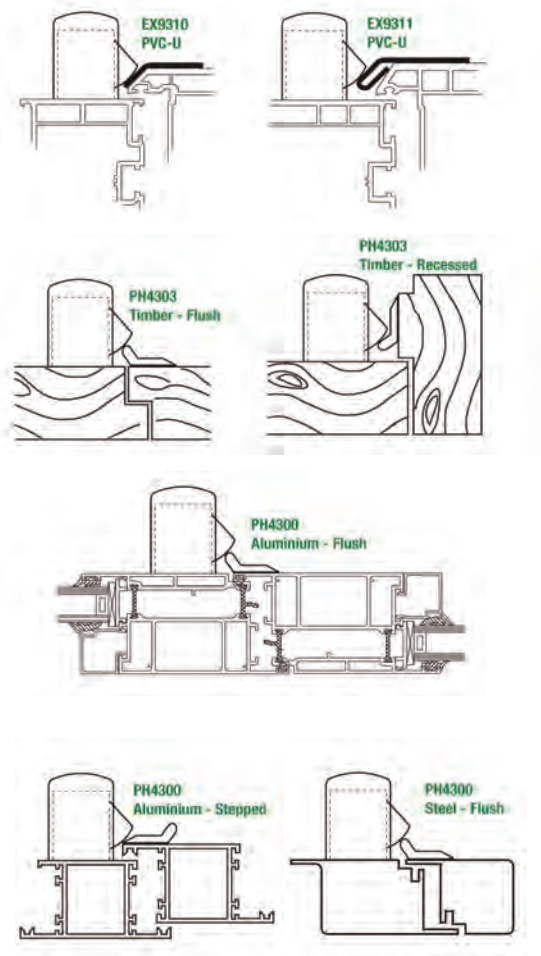
PH4303 Timber



EX9311 PVC-U



PH4304 Floor Striker







**STRAND ANTI PANIC DOOR APPLICATIONS**

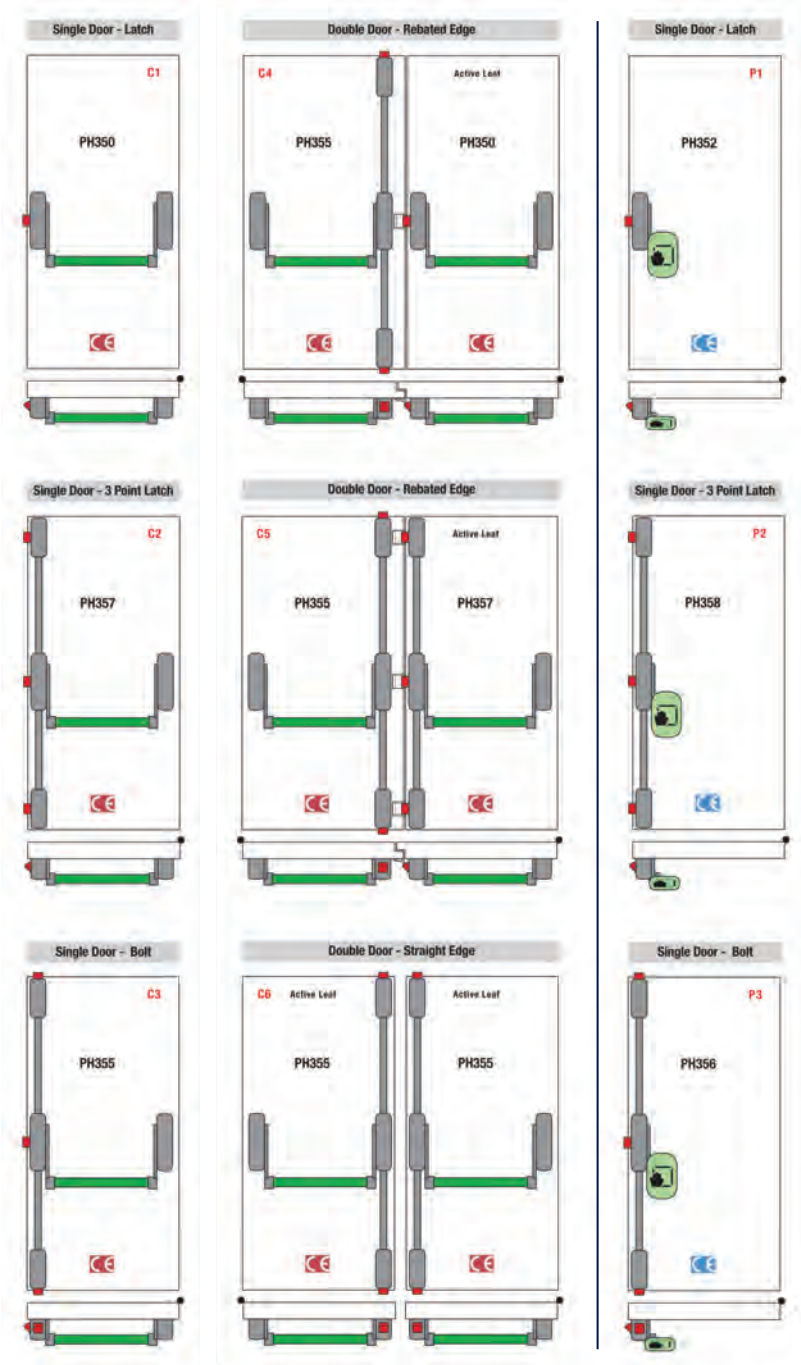
Examples of some typical door applications for Strand antipanic single, two or three point devices suitable for single or double doors. outside access devices are optional and should be fitted to the active leaf (first opening leaf).

For straight edge double doors - two exit bolts (latching top and bottom) are required for each leaf.

For rebated double doors - a single or 3 point latch is required for the first opening leaf and a bolt (latching top and bottom) is required on the second opening leaf. the centre mechanism can be "blanked off" with the plate supplied to give a two point device on the inactive leaf (second opening leaf) of a pair of doors.

**Modular Push Bars**

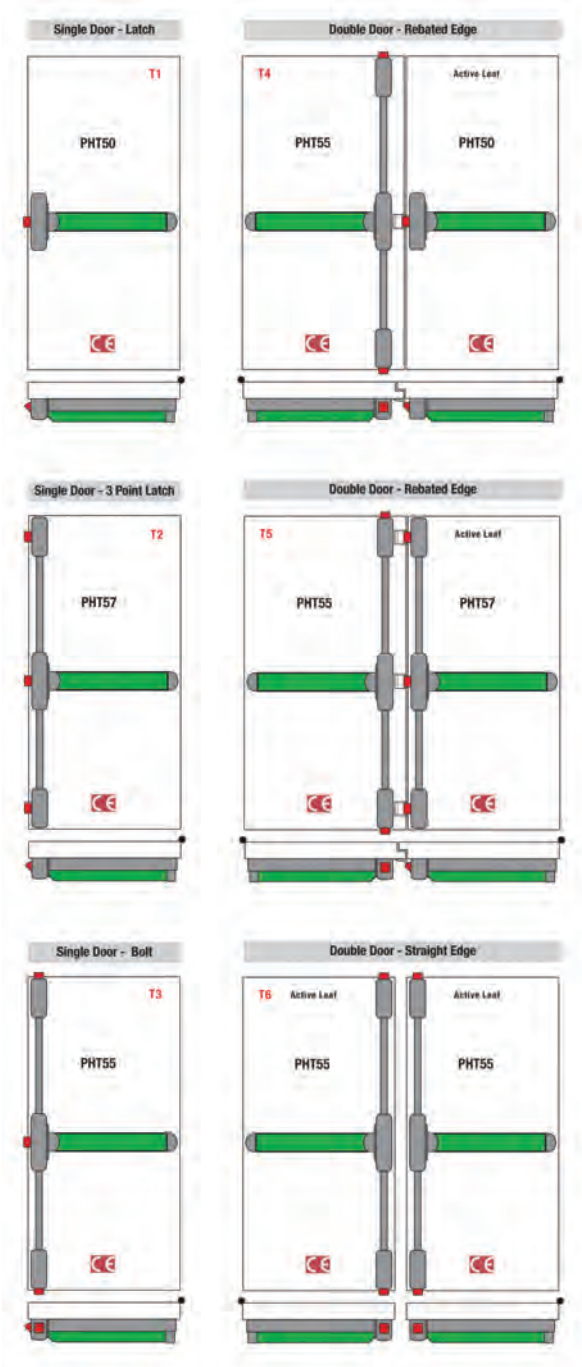
**Modular Push Pads**



 This device is tested, certified and CE marked to BS EN1125

 This device is tested, certified and CE marked to BS EN179

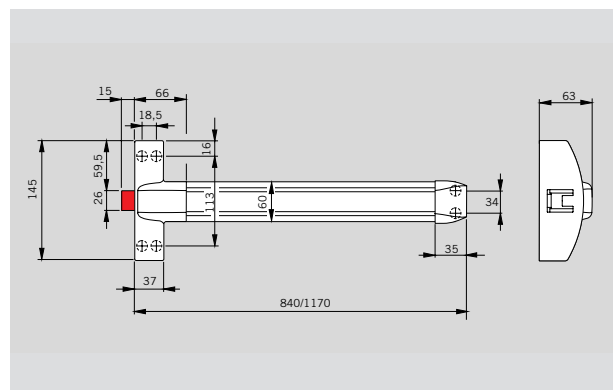
Touch Bars



**DORMA PHB 3000**  
**Modular Touch Bar System**  
 EN 1125  
 CE Mark

Panic exit device tested in accordance with EN 1125, for door widths up to 1300 mm, door heights up to 2265 mm (in accordance with EN 1125) or 3200 mm, non-handed.

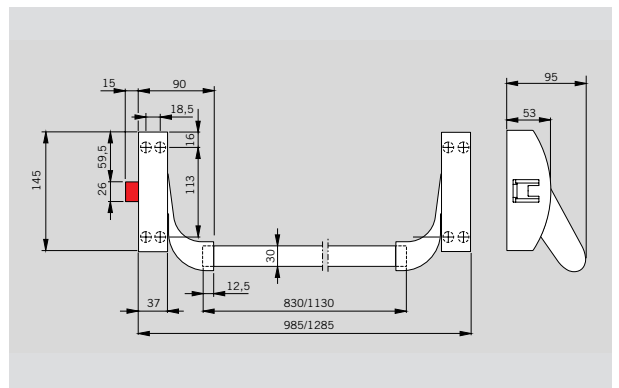
- Can be unlocked electrically via electric strike.
- All products of the PHB 3000 series carry the CE mark.
- Available single and two point locking.



**DORMA PHA 2000**  
**Modular Push Bar System**  
 EN 1125  
 CE Mark

Panic exit device tested in accordance with EN 1125, for door widths up to 1300 mm, door heights up to 2270 mm (in accordance with EN 1125) or 3400 mm, non-handed.

- Can be unlocked electrically via electric strike.
- All products of the PHA 2000 series carry the CE mark.
- Available single and two point locking.



**INGERSOLL RAND - Briton 372**

**Push pad vertical bolt**

**CE Mark**

- Pad operated vertical bolt
- Anti-thrust device, prevents unauthorised retraction of the latch bolt
- Suitable for use on single and double door applications
- Self-handed to suit left and right handed doors
- Security - Grade 4: 3,000 Newtons
- Suitable for doors up to 2500mm high x 1300mm wide (extension rods are required to achieve maximum sizes)
- Adjustable top and bottom shoots
- Supplied with an easy clean socket
- Metal door variant with metal door strikes and machine screws, order 372M



**Briton 372**



**Briton 1438**

**INGERSOLL RAND - Briton 1438**

**Reversible push pad rim latch**

- Pad operated rim latch
- Suitable for use on single doors and the first opening leaf of double rebated door applications
- Supplied in left or right hand, but can be reversed on site
- Suitable for doors up to 1300mm wide
- Security - Grade 4: 3,000 Newtons
- Double door strike available for double rebated door applications
- Can be used with a rim cylinder fitted to the outside of the door
- Metal door variant with metal door strikes and machine screws, order 1438M

**INGERSOLL RAND - Briton 376**

**Vertical panic bolt**

**CE Mark**

- Two point locking for extra security
- Anti-thrust device, prevents unauthorised retraction of the latch bolt
- Suitable for use on single and double door applications
- Self-handed - will suit both left and right handed doors
- Suitable for doors up to 2500mm high x 1300mm wide (extension rods are required to achieve maximum sizes)
- Optional models available include pullman latches, alarmed and manually dogged (hold open) functions
- Adjustable top and bottom shoots
- Supplied with an easy clean socket
- Metal door variant with metal door strikes and machine screws, order 376M



**Briton 376**



**INGERSOLL RAND - Briton 378**

Reversible rim panic latch

CE Mark

- Suitable for use on single doors and the first opening leaf of double doors with rebated meeting stiles
- Supplied in left or right hand, but can be reversed on site
- Suitable for doors up to 1300mm wide
- Double door strike available for double rebated door applications
- Available with manual dogging (hold open)
- Can be used with rim cylinder fitted to the outside of the door
- Metal door variant with metal door strikes and machine screws, order 378M



**INGERSOLL RAND - Briton 1413**

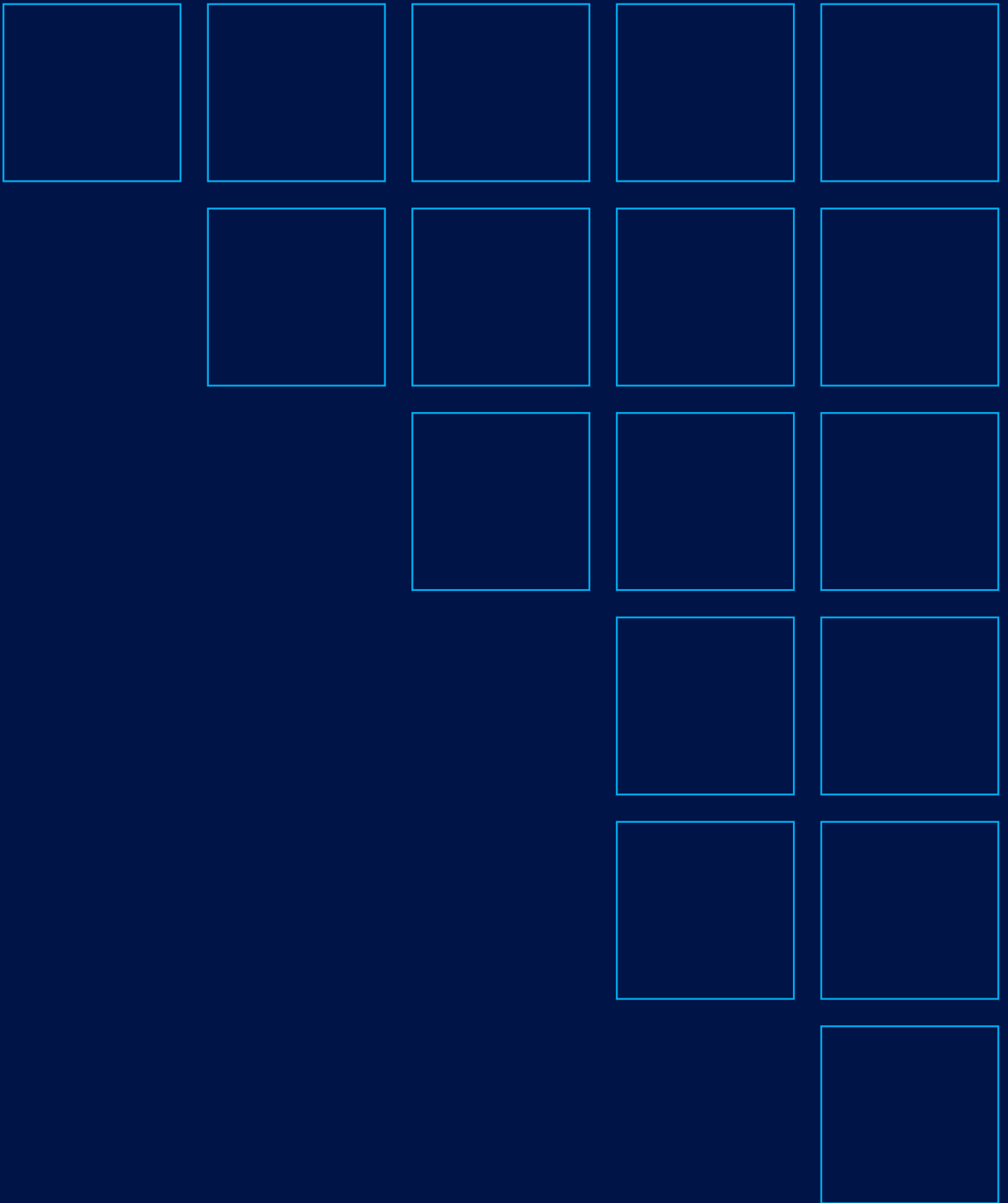
- A combination of market trends and the effect of The Disability Discrimination Act (DDA) has resulted in an increase in market demand for lever operation.
- The lever is secured to the OAD by a special shear screw designed to fail if the lever is severely abused (e.g. attempted break in, or vandalism) ensuring the mechanism is protected from damage. The shear pin can then be simply replaced to restore normal operation.
- Lever supplied loose to allow easy on-site handing Briton 1413E/KE – knob variant
- Ergonomic design providing improved grip in wet conditions.
- Non-handed.

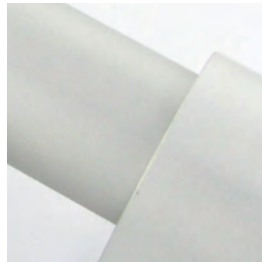












## Pull Handles & Accessories

[Entrance Pull Handles](#)

[Cylinders](#)

[Access Controls](#)

[Locks](#)

[Aluminium Hinge](#)

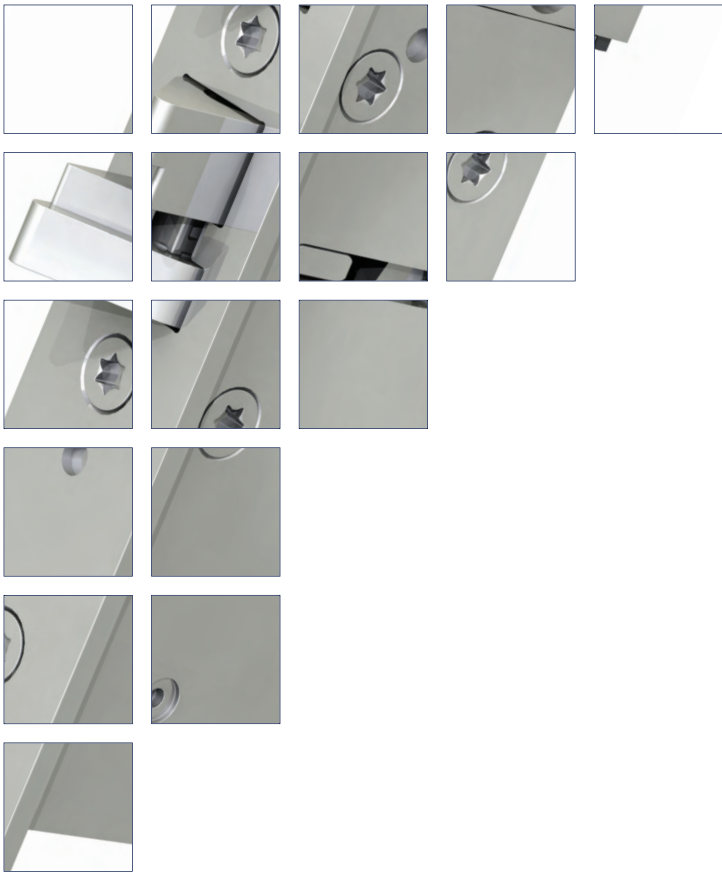
[Glass Patch Fitting](#)

[Finger Protection](#)



specialist suppliers of architectural hardware to the aluminium door and window sector





## Pull Handles & Accessories

In keeping with Aluspec's "one stop shop" philosophy our range includes all the additional hardware you will need from anti drill cylinders and entrance pull handles to patch fittings and access control.



**110/  
Cranked Back to Back Pull Handle**

- ⊕ 300mm ⊗ 25mm
- ⊕ 300mm ⊗ 32mm
- ⊕ 425mm ⊗ 32mm
- ⊕ 600mm ⊗ 32mm

SSS



**FP35045/30032  
Cranked Pull Handle / Push Plate for reverse of door**

Handle:

- ⊕ 300mm ⊗ 32mm

Push Plate (c/w concealed fixings):

- ⊕ 350mm ⊕ 45mm

SSS



**120/30032  
Semi-Circular Back to Back Pull Handle**

- ⊕ 300mm ⊗ 32mm

SSS





**130/  
T-Bar Back to Back Pull Handle**

Cranked option available

➤ 600mm ⌀ 32mm

➤ 900mm ⌀ 32mm

SSS



**210/250038  
Full Height Pole Handle with straight bracket**

➤ 2500mm ⌀ 38mm

SSS



**220/250038  
Full Height Pole Handle with cranked bracket**

➤ 2500mm ⌀ 38mm

SSS



**AXIM HD080**

**Full Height Tubular Handle**

➤ 2500mm ⌀ 40mm

MILL SILVER BLACK WHITE



**AXIM HD090**

**Pad Handle Set**

➤ 230mm ⌀ 113mm

MILL SILVER BRONZE BLACK WHITE



**HEWI 33.2010**

**Nylon Straight Pull Handle**

Made of high-quality polyamide with corrosion resistant steel core

➤ 250mm c/c

➤ 300mm c/c

See RAL chart for available colours and finishes.



Nylon - available finishes. Full HEWI range available. Please Contact us for further information or to request a catalogue.





**HEWI 33.2020**

**Nylon Cranked Pull Handle**

Made of high-quality polyamide with corrosion resistant steel core

➤ 250mm c/c

➤ 300mm c/c

See RAL chart for available colours and finishes.



**HEWI 550.33SLT**

**Nylon Semi-Circular Pull Handle**

Made of high-quality polyamide with corrosion resistant steel core

➤ 300mm c/c

➤ 400mm c/c

See RAL chart for available colours and finishes.



**HEWI 33.2070**

**Nylon T-Bar Pull Handle**

Made of high-quality polyamide with corrosion resistant steel core

➤ 300mm c/c

➤ 450mm c/c

➤ 600mm c/c

See RAL chart for available colours and finishes.



Nylon - available finishes. Full HEWI range available. Please Contact us for further information or to request a catalogue.





**Round Screw In Cylinder**

Euro Profile 5 Pin Cylinder  
Anti Drill

- 5000RCKD      c/w collar standard differ 3k
- 5100RCKA      c/w collar keyed alike 3k

SNP



**Double Cylinder**

Euro Profile 5 Pin Cylinder  
Anti Drill

- 503030KD      30/30 (61mm) Standard differ 3k
- 503535KD      35/35 (71mm) Standard differ 3k
- 503030KA2     30/30 (61mm) To pass in pairs each pair to differ 3k
- 513030KA      30/30 (61mm) Keyed Alike 3k
- 513535KA      35/35 (71mm) Keyed Alike 3k

SNP



**Cylinder and Thumbturn**

Euro Profile 5 Pin Cylinder  
Anti Drill

- 503030TKD     30/30 (61mm) Standard differ 3k
- 503535TKD     35/35 (71mm) Standard differ 3k
- 513030TKA     30/30 (61mm) Keyed Alike 3k
- 513535TKA     35/35 (71mm) Keyed Alike 3k

SNP



All cylinders are ex-stock. In-house key cutting facility available



**Single Cylinder**

Euro Profile 5 Pin Cylinder  
Anti Drill

**503010KD**     30/10 (40mm) Standard differ 3k  
**513010KA**     30/10 (40mm) Keyed Alike 3k

SNP



**5000RCT**

**Round Screw In Thumbturn**

Euro Profile 5 Pin Cylinder  
Anti Drill

SNP



**504010TT**

**Euro Profile Thumbturn only**

Euro Profile 5 Pin Cylinder  
Anti Drill

SNP



All cylinders are ex-stock. In-house key cutting facility available

**TRIMEC ES100****Low cost strike**

The ES100 is the high security solution at low cost, designed to work with a wide range of locks.

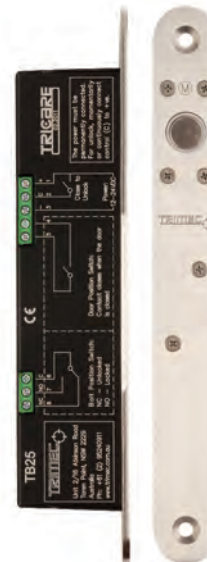
- Power to lock/open
- Simple design for reliability
- Extra security from 3 hardened locking pins
- Rated solenoid can be continuously powered
- Quick and easy installation
- Low cost solution
- 680 kg holding force
- Tested to 1 million cycles

**TRIMEC TB25****Drop Bolts**

For use on swing-through and double action doors where an electric strike is impractical. A stylish range of stainless steel surface-mount housings and accessories is available making these dropbolts an attractive, unobtrusive solution for glass door applications.

- High security deadlock when extended
- Multiple orientation - vertically or horizontally
- Power to lock/open
- Rated solenoid can be continuously powered
- Tamper proof
- Intelligent electronics will attempt to re-close the bolt 8 times, allowing swing doors to settle
- Built-in monitoring of bolts and door position

*Safety protection - a thermal fuse override eliminates fire risk*

**TRIMEC ES8000****Motorised V- lock**

The New ES8000 – lock overcomes the problem of misalignment in 180° swing doors as well as the side load issues with 90° doors. The high torque motorised lock's fail – open locking mechanism is the world's first to eliminate the need for an additional key override

- Opens with up to 15kg of side pressure
- Overcomes door misalignment by +/-3.5 mm
- Power to lock/open
- High torque motorised locking operation
- High speed operation (unlocks in less than 0.2 sec.)
- Surface orientation – vertically or horizontally
- Max 1000kg holding force

*Tested to 300,000 cycles*



**TRIMEC ES6000****Low profile hook lock**

The ES6000 is designed for swing or sliding doors with wood or steel frames where appearance is important as it can be supplied in a choice of colours to match existing installations.

The ES6000 Hook lock is ideal for fire door and escape applications where a mortice mount version is suitable.

- Power to lock/open
- Operates freely with up to 300kgs of side pressure
- Will self latch without power for fire applications
- Up to 700kg holding force
- Robust stainless steel construction
- Low profile protrudes only 40mm into door headroom
- Multi-voltage (12 to 30 volts dc with back EMF protection and reverse polarity protection)
- Multiple orientation - vertically or horizontally
- Tested to 2 million cycles

**Simplex 3000****Mechanical Digital Lock**

With 24, 28 or 38mm backset mortice deadlatch drive assembly for timber or aluminium doors for use with Adams Rite round cylinder deadlatches.

- Operated by thumbturn inside and digital code with key override outside
- Suitable for heavy duty applications
- Minimum door stile 48mm Door thickness up to 44mm
- Suits inward or outward opening doors
- Handing details required
- Clutch protected outside thumbturn
- Easy code change
- Latch holdback facility

SCP SB

**ABLOY EL402 Lock**

Special double action bolt for quick and easy use.

Can be controlled by a variety of electrical impulse generating equipment such as card readers, keypads and timers.

Can be connected to automatic swing door operators and are an excellent solution for access control systems.

Adjustable backset feature offers unique flexibility.

Because of its symmetrical trigger bolt, it can be used in double swing doors.

The lock can always be opened mechanically by key or by thumb turn and the bolt deadlocks automatically when the door closes.

- Field selectable Fail Safe/Fail Secure configuration
- Non Handed Symmetrical trigger bolt
- Visual Lock Status indicator
- Immediate release of Deadlocking
- Push or Pull operation
- Wide Operating Voltage
- Adjustable Backset Between 25 - 35 to suit most narrow style applications.



**Codelocks CL255****Mechanical lock**

- Light duty entry level Codelock
- Bevelled hexagonal handle
- PVD weather resistant, low maintenance finish
- Easy code change as often as required
- Dual Backplate available – CL255 & CL255 KEY models
- To change the code the lock must be taken off the door
- BB – Back to Back available:  
Provides coded access in both directions – CL290 model

**Door thickness:** 35mm–65mm

**Door material:** Suitable for wooden doors

**Spindle type:** Flat spring loaded spindle

**Body material:** Zinc alloy

**Non handed:** Lock will fit doors hung on the left or right

**Finishes:** PVD (Physical Vapour Deposition) hardwearing low maintenance finish SS (stainless steel) and PB (polished brass)

**Codelocks CL500****Mechanical lock**

- Heavy duty Codelock
- PVD weather resistant, low maintenance finish
- Full size lever handles
- Easy code change as often as required
- Code Free option available
- Mortice lock and mortice latch functions
- To change the code the lock must be taken off the door
- Ball shape knob available on some models
- BB – Back to Back available: Provides coded access in both directions
- PK – Panic Kit options available: Extra long spindle provided to work with most single point panic pads or bars
- Lever Handle or Knob Handle available on Stainless Steel finish

**Door thickness:** 35mm–65mm

**Door material:** Suitable for wooden doors

**Spindle type:** 2 part 8mm spring loaded spindle

**Body material:** Zinc alloy

**Non handed:** Lock will fit doors hung on the left or right

**Finishes:** PVD (Physical Vapour Deposition) hardwearing low maintenance finish SS (stainless steel) and PB (polished brass).





**NEMEF Narrow Style Locks:**

**9600 series: Door Lock (Latch & Dead Bolt)**

Suitable for entrance or internal doors and is designed to take a euro-profile cylinder.

- Backset: 25, 30, 35, 40, or 45mm
- Distance: 92mm
- Reversible
- Key action on latch bolt
- Single throw dead bolt

*Also Available: Fire-resistant version, U-shaped front plate*

**9620 series: Latch**

- Suitable for internal doors
- Latch
- Backset: 25, 30, 35, 40, or 45mm
- Reversible

**9670 series: Anti-Panic Lock**

Suitable for entrance or internal doors and is designed to take a euro-profile cylinder.

- Backset: 30, 35, 40, or 45mm
- Distance 92mm
- Hub: 8mm or 9mm
- Reversible
- Anti-panic version with bolt through hub
- Anti-panic version with split hub, handed
- 9mm hub is MPA fire-resistant certified
- CE marked and EN179 certified



**Tokyo 1710RH/3360N**

**Lever/Lever set**

To suit mortice locks with 92mm cylinder centres.

Aluminium lever set on backplate for exterior doors.

The unsprung levers are fixed to the backplate and by design are fully reversible.

Fixing lugs are supplied on both backplates for a secure fit.

Aluminium lever and backplate.

**Finishes:** Silver, Gold, Black, White



**QI330**

**Quattro Universal Door Set**

Door lever set with concealed fixings and built in cylinder safe feature. Multi screw fixings to line up with most available locks.

The lever operates with upwards and downwards movement and can be supplied unstrung or with a sprung cassette

- Materials:** Stainless Steel, Aluminium  
**Finishes:** Satin Stainless Steel, Polished Stainless Steel, PVD Brass, Powder coated and bio-free  
**Sizes available:** To suit 92mm lock



**DORMA LM Hinge  
Aluminium Load-bearing 2 Part Hinge**

Developed to give fast, safe and precise door hanging for different types of door construction.

- Comprehensive range for all conventional door assemblies
- Easy to fix - no milling or routing, only 4 or 6 holes to drill
- Non-handed
- No visible screw connections
- For door widths up to 1200 mm and door leaf weights up to 120 kg
- Fast fixing with lock pin arrangement
- Rugged and secure attachment ensured by insert plate

- Offset** 13, 22, 36mm  
**Fixing hole centres** 71.5, 58.5mm  
**Finishes:** Satin Anodised Aluminium



**AXIM HN950  
2 Part Hinge**

Developed to give fast, safe and precise door hanging for different types of door construction.

- 20mm offset
- Face fixed hinge
- Adjustable for single action
- Suitable for sliding / folding doors

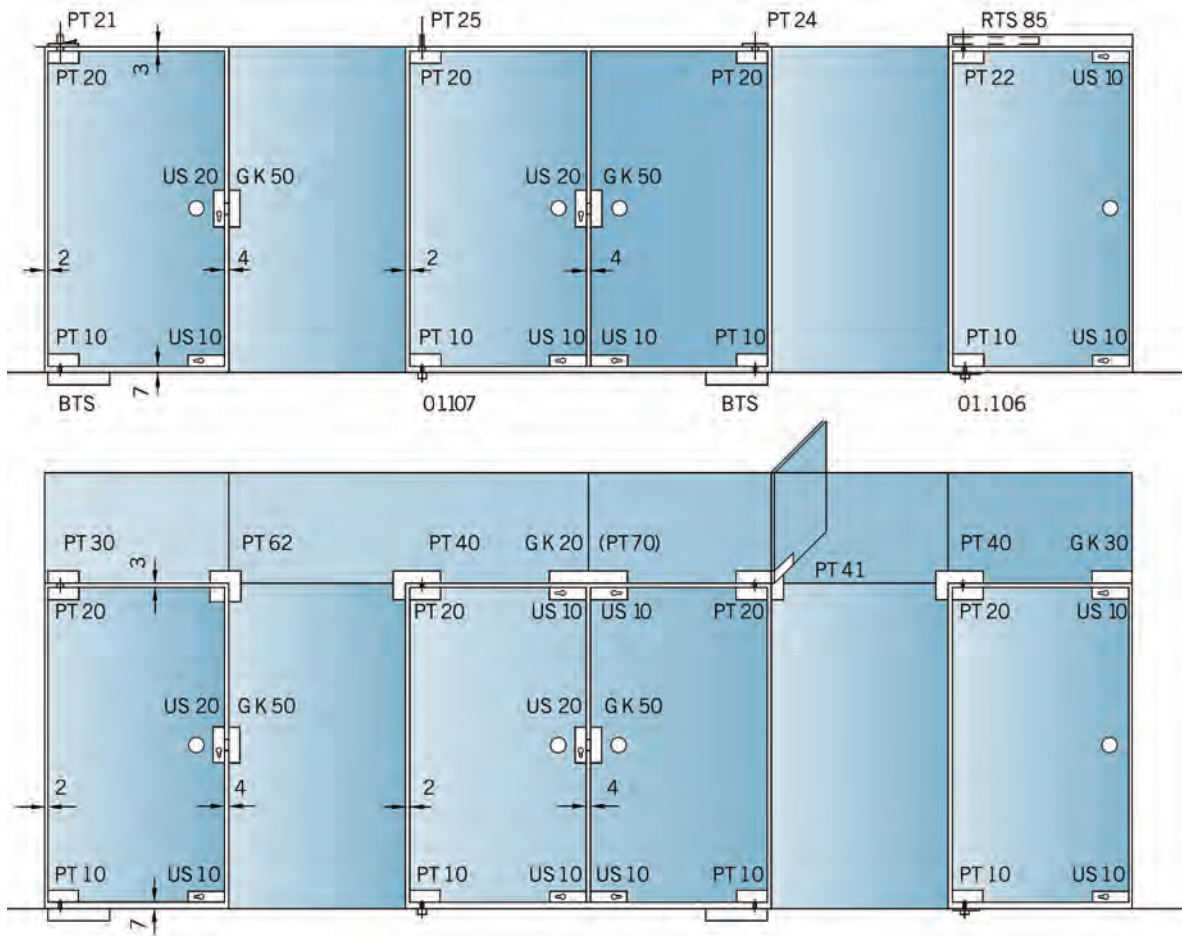
- Finishes:** Silver



**Dorma Glass Patch Fitting**

**Type Section:**

Toughened glass assemblies with fittings (55/65mm pivot point) and locks. All standard assembly types.



- PT10** Bottom patch to suit BTS spindle
- PT20** Top patch to suit 15mm dia pivot
- PT22** Top patch to suit RTS transom closer
- PT30** Over panel patch c/w 15mm Ø pivot
- PT40** Patch for over panel and side light c/w 15mm Ø pivot
- PT24** Pivot on fixing plate
- PT25** Pivot rod
- US10** Top & corner patch lock
- US20** Centre patch lock
- BTS** Floor spring
- GK** Strike box
- PT** Centre hung door fittings
- RTS** Transom closer (see Technical Information DORMA RS for details)
- US** Lock

**Torque for fixing screws**

Screws M6: 10Nm (4mm)\*

Screws M6: 15Nm (5mm)\*

Screws M8: 20Nm (5mm)\*

\*Allan key size

**Maximum door weight and width for DORMA Universal fittings**

max. door weight: 100kg

max. door width: 1100mm

For door weights up to 150kg and widths up to 1400mm, door rails should be used see Technical Information DORMA TP/TA.

For further information our glass patch fitting brochure is available upon request.



**FP200**

**Finger Protection Device**

Roller system finger protection can be fitted to most single and double action doors and is particularly suitable for automatic doors. Provides effective protection against fingers being trapped on the hinge side of doors. The strong fabric material, kept under constant tension covers the gap between the door and frame automatically when the door is opened.

**Maximum length:** 1925mm (standard size)

**Minimum length:** 290mm

**Finishes:** White (RAL 9016), Silver Anodised, Dark Bronze Anodised

**Fabric:** Black



**TGS Finger Shield**

**FG1** Hinge opening side

**FG2** Hinge knuckle side

**FG3** Full Door Kit (contains FG1 & FG2)

**Finishes:** White, Black, Beige, Beech, Brown, Blue, Red, Teak, Yellow  
Available in colours, front and back.



**Electronic Locking & Access Control Systems**

Catalogue available on request.



**Strand Highline Window Control Systems Manual, Electric & Smoke**

Catalogue Available Upon Request



**Strand Window & Door Hardware**

Catalogue Available Upon Request



**ASSA Security Door Hardware**

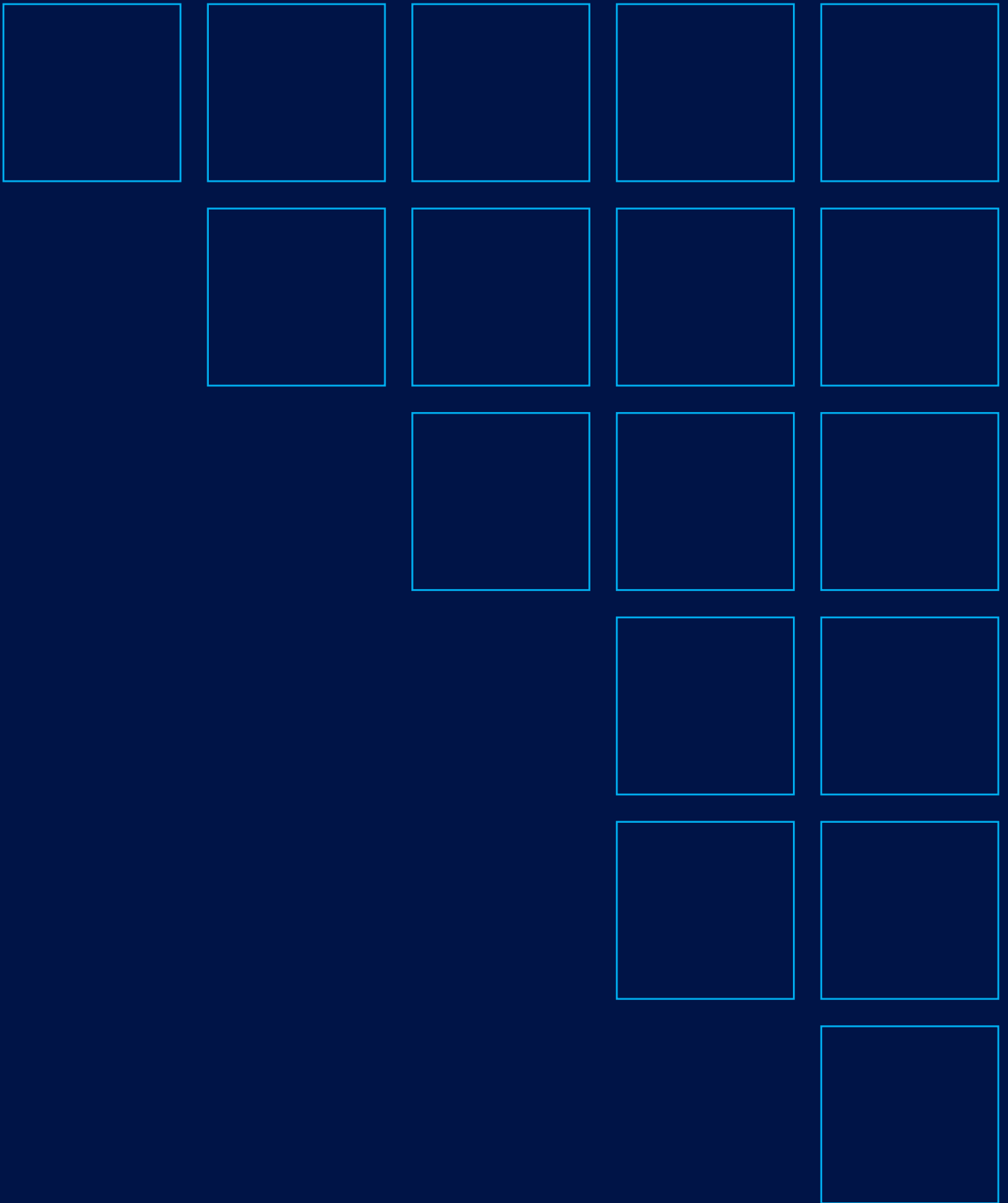
Catalogue Available Upon Request



ASSA ABLOY, the global leader in door opening solutions







**specialist**

suppliers of

**architectural**

**hardware** to the

**aluminium** door

and window sector

ALU  
SPEC Ltd

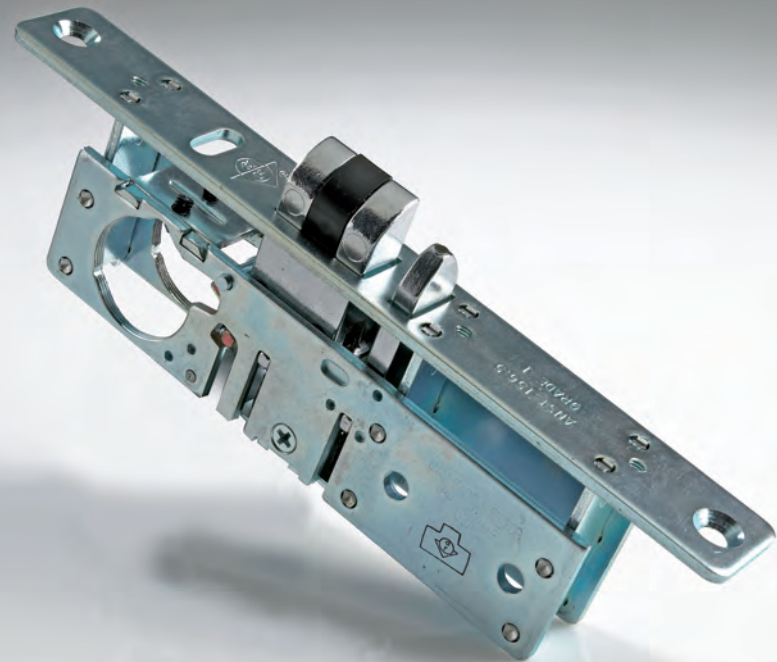
Company Profile

**ALU  
SPECIALIST** Ltd

specialist suppliers of architectural hardware  
to the aluminium door and window sector

Aluspec Limited supply specialist architectural hardware to the aluminium door and window sector.

We have been providing customers with specialist hardware solutions since 1989 and are considered a true one-stop-shop for the aluminium fenestration sector.





Based in Bridgnorth Shropshire, Aluspec are a specialist arm of the Monaghan Group. As industry specialists, we excel in the supply of aluminium door and window fixtures and fittings.

We are also experienced in supplying complete ironmongery packages for toughened glass doors, steel doors and shop fronts.





Our comprehensive product range includes:

- Entrance Door Handles
- Door Closers
- Access Door Controls
- Panic Hardware
- Locks & Cylinders
- Glass Door Patch Fittings
- Automatic Door Operators & Barriers



As part of the Monaghan Group we have access to one of the widest stock ranges of specialist hardware in the country and can supply nationally to both the fabrication and installation industry.





Stockists and distributors of leading brands such as AXIM, Adams Rite, Dorma, TRIMEC, Codelocks, Strand, ASSA ABLOY and Ingersoll Rand, Aluspec offer a comprehensive range at competitive prices. We have large stock holdings and offer National Coverage with next day delivery.





**ALU  
SPEC Ltd**

specialist suppliers of architectural hardware  
to the aluminium door and window sector

[www.aluspec.co.uk](http://www.aluspec.co.uk)

t: 01746 764846

f: 01746 765300

Experts in our field, Aluspec offer customers free professional advice on how best to achieve their needs. Our friendly and knowledgeable staff are always on hand to give you expert advice you can trust in a language you can understand.

*“Expert advice in a language you understand.”*





We pride ourselves on our friendly, professional and efficient service and whatever your requirements we will supply you with products that meet your exact specification whilst providing you with superior customer service.

Contact us to discuss your requirement.







**specialist**  
suppliers of  
**architectural**  
**hardware** to the  
**aluminium** door  
and window sector

ALU  
SPEC Ltd

Join our social networks



Stourbridge Road Industrial Estate  
Faraday Drive, Bridgnorth, Shropshire WV15 5BA

t: 01746 764846 f: 01746 765300

sales@aluspec.co.uk www.aluspec.co.uk