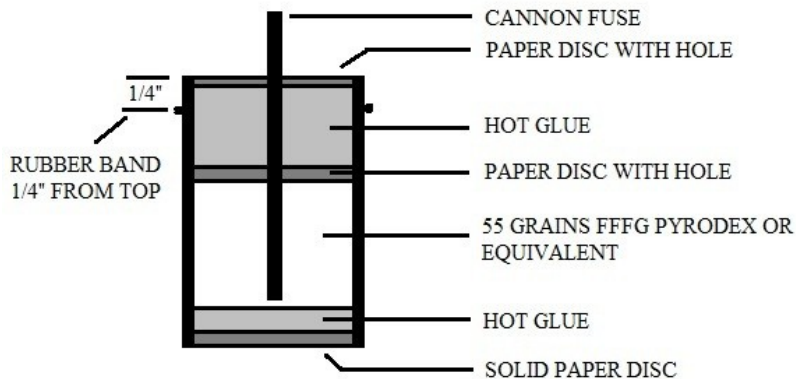


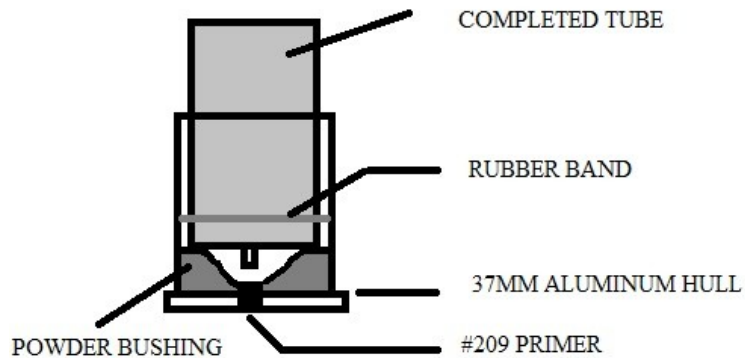
EXOTIC 37MM BIRD BANGER / WILDLIFE CONTROL BANGER INSTRUCTIONS

READ ALL INSTRUCTIONS BEFORE STARTING PROJECT

- 1) Place solid paper plug at the bottom of the tube (use the one without a hole)
- 2) Using hot glue, glue all the way around the solid plug and let it cool
- 3) Measure **NO MORE THAN** 50 grains of FFFG Pyrodex synthetic black powder and place it in the tube
- 4) Place a paper plug with a hole in it gently over the powder in the tube. **DANGER: DO NOT PUSH DOWN HARD**
- 5) Cut a 3" piece of cannon fuse and push it through the hole in the plug in the tube till it stops
- 6) Fill the rest of the tube with hot glue all the way to the top.
- 7) While the glue is still hot place the second paper disc with a hole in it over the fuse and flush with the top of the tube (make sure the fuse is sticking out at least 1/4")
- 8) Cut the fuse at a 45 degree angle 1/4" from the end of the tube
- 9) Prime a 37mm hull by placing a #209 shotgun primer in the hole on the flat side of 37mm hull
- 10) Place **NO MORE THAN** 60 grains FFFG powder into a primed 37mm plastic hull. (For best results use a 37mm aluminum hull with a powder bushing at the base)
- 11) Place a rubber band around the base of the tube on the fuse end 1/4" from the top



12) Push the tube into the 37mm hull by hand fuse side down
(DANGER: DO NOT PRESS HARD!!!!)



Like this product? Try our Firework Projectile Kit!

Call in your next order and get:
Free 5 powder bushings with next purchase of a Bird Banger
Kit

541-241-8110