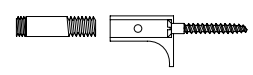
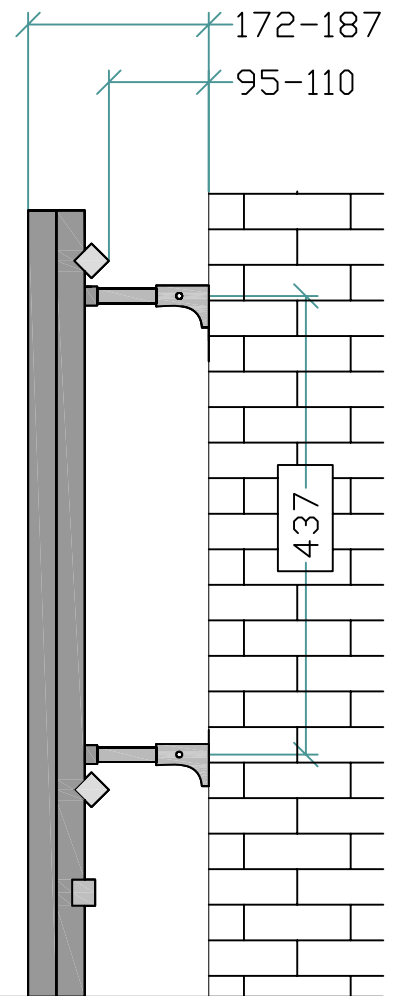
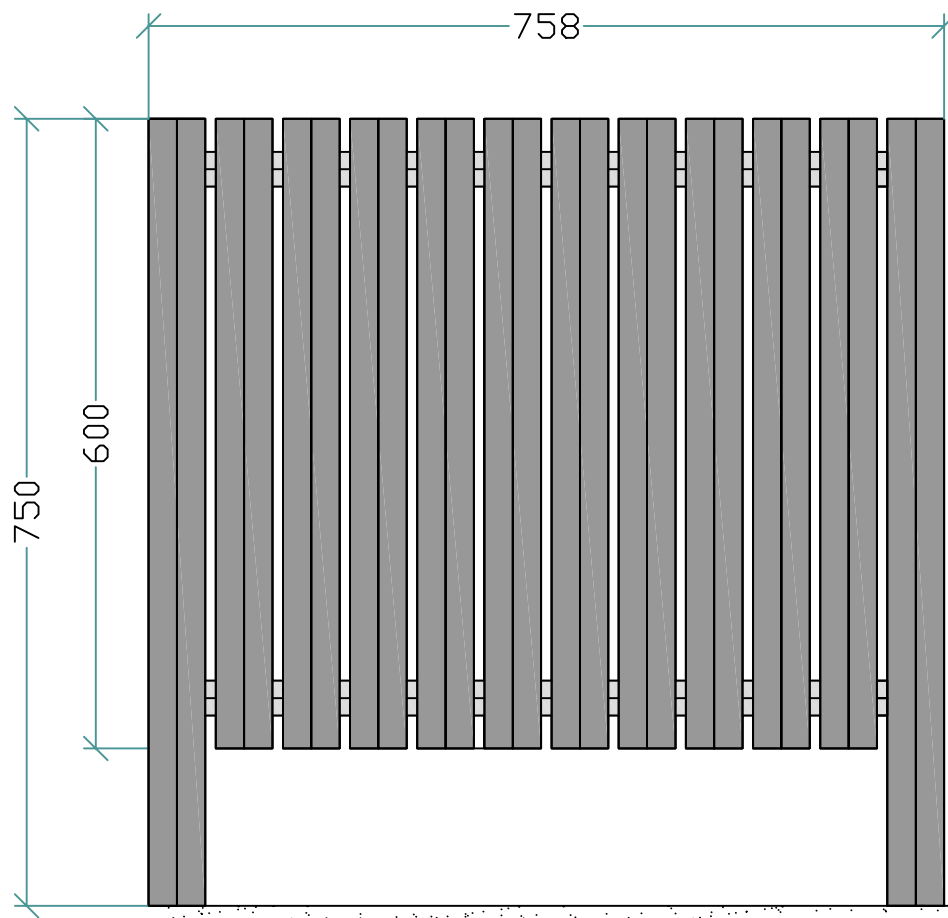
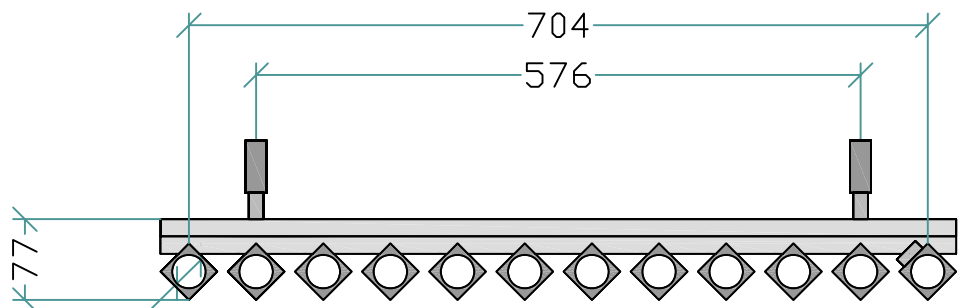


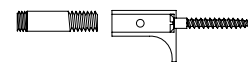
Watt	1.354
BTU	4.619
kcal / h	1.164



Elapse 12-6060



Watt	1.410
BTU	4.811
kcal / h	1.212



Elapse 12-7560