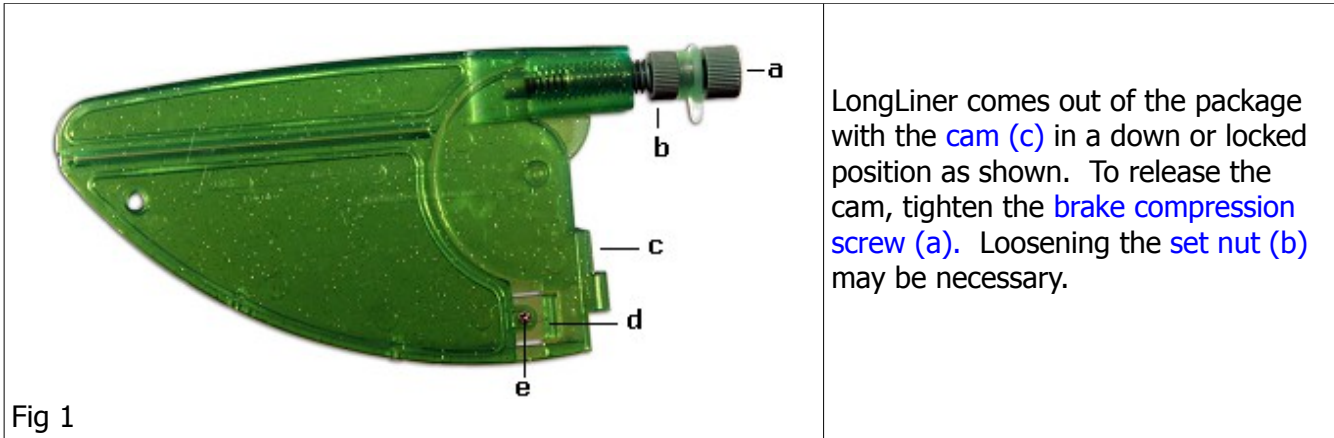
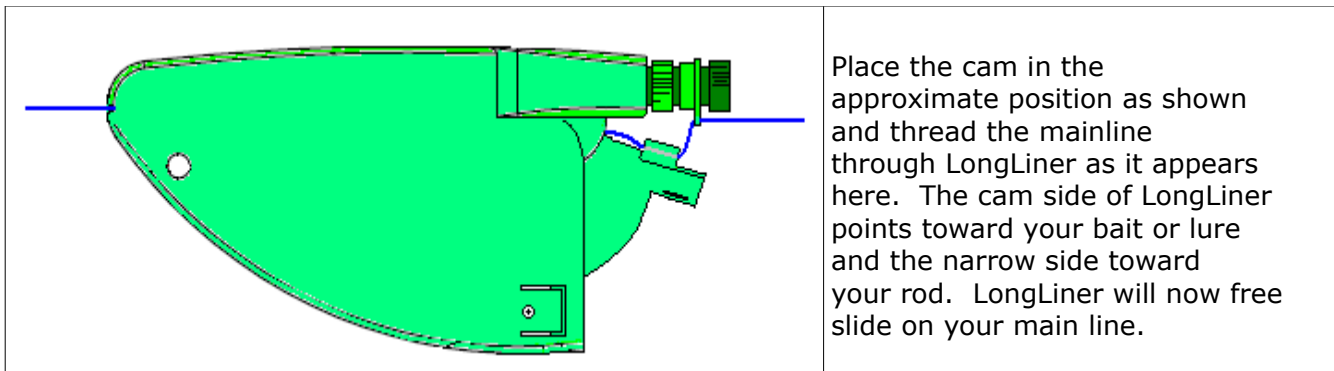


Rigging the LongLiner[®] PATENTED
by www.anglerinnovations.com

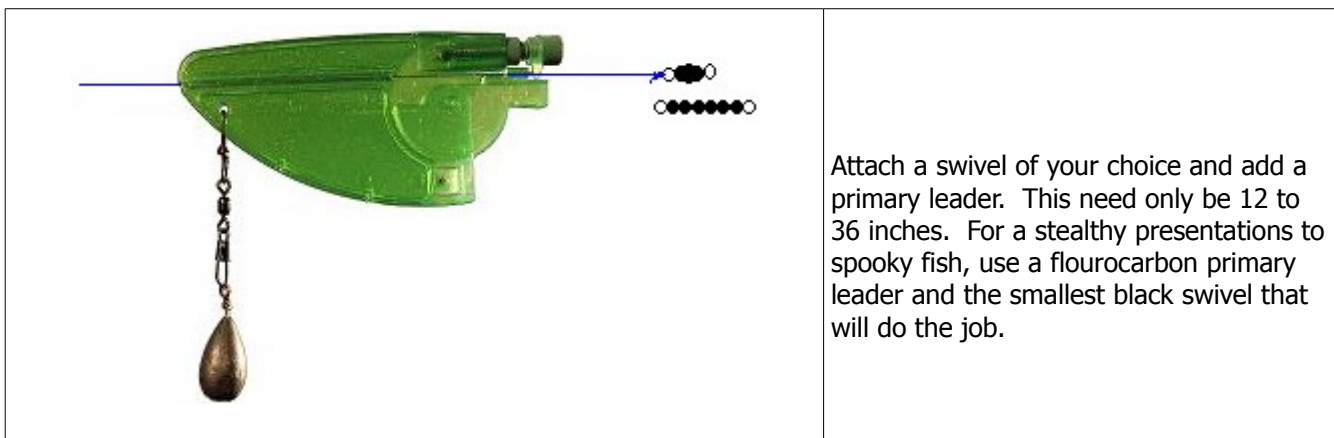
LongLiner Basics



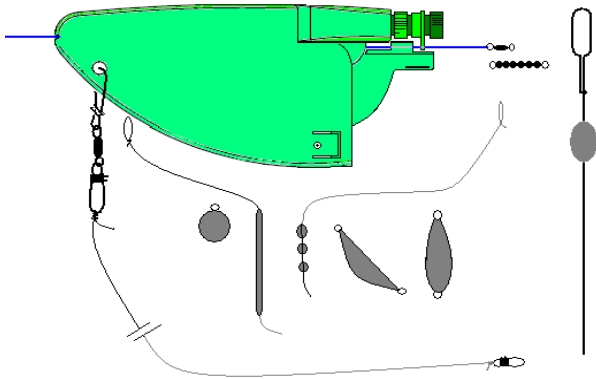
Release The Cam And Thread Line Through LongLiner



Attach A Swivel

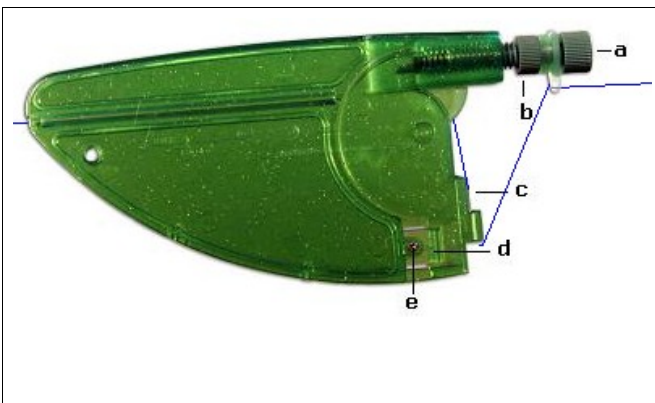


Place A Weight On The Weight Hanger



Now you can attach a weight hanger and swivel. Weights can be attached directly to the hanger in deep water or with a dropper when near bottom. As you can see, many styles of weights can be used. Choices depend upon the conditions and trolling depths—weights as little as a few shot up to 16 ounces have been used.

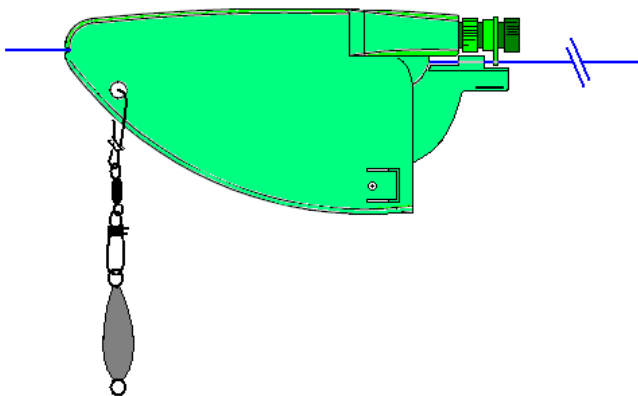
Setting The Release



Unscrew brake compression screw (a) several full turns. Push down cam (c) into the cam clip (d) as shown. Tighten brake compression screw (a) until you feel it contact the rubber brake. Tighten just ½ turn more. This is maximum setting. Now tighten the set nut (b) against the body of LongLiner while holding the brake compression screw in position. This will save this setting used for higher test lines and larger fish. Lighter and minimum settings, tighten the brake compression

screw further while the cam is clipped or in the locked position as above. Tighten too much and it will release the cam completely. Lightest settings are achieved by tightening to a point just before the cam breaks free of the cam clip (d). Settings in between the lightest and the heaviest are all secured by the set nut (b). Cam clip screw (e) is rarely adjusted, but will increase clip hold on the cam. If you do this, tighten in very small amounts, ½ turn at a time only. A small driver is included. Factory setting is for the tiny screw head is to lightly contact the cam clip surface.

Let Out Line and Lock-In LongLiner



While the boat is underway, hold LongLiner in hand and let your bait or lure trail behind the boat taking line off of your spool. Manually pull line through LongLiner if the lure is small. When the bait is at a distance from LongLiner or boat that meets your satisfaction, lock the cam into place and let LongLiner into the water and down to the desired depth. See our package or online chart for depth control.