



---

Installation, Operating, Maintenance  
and After Sales Manual.

Sealed Electric Wall & Floor Mounted Towel Warmers



Contents

1.0	General Information	03
2.0	Location	03
3.0	Preparation	03
4.0	Fixing	03
5.0	Electrical Connection	05
6.0	Technical Data	06
7.0	Operating Instructions	11
8.0	Maintenance	11

As you follow these instructions, you will notice warning and cautions symbols. The symbols call out information important for the safe and efficient installation and operation of your towel warmer.



States a hazard: serious injury or death may occur if precautions are not followed.



Signals a situation where minor injury or product damage may occur if instructions are not followed.



Signals that the towel warmer is hot. If contact occurs it can cause burns.



Highlights information that is especially relevant to a problem free installation.

## 1.0 General Information

READ THIS INSTRUCTION MANUAL THOROUGHLY BEFORE BEGINNING INSTALLATION.



This is an electrical heating appliance, intended only for indoor use in homes, hotels and spas. For your safety please use your towel warmer with the following precautions:

- DO NOT place the towel warmer unit inside a shower, sauna or steam room enclosure or any location where the towel warmer is in direct contact with water.
- The MYSON towel warmer should not be located on a wall over a bath tub.
- Do not stand, hang or sit on the towel warmer.

## 2.0 Location



The towel warmer must be located in accordance with any prevailing codes and relevant electrical wiring rules and regulations, in particular regulations that cover the use of products and accessories in damp situations such as bathrooms, showers, laundries and other areas with fixed water containers.

- The top of this product must be at least 2" below any overhanging surface.

## 4.0 Fixing



- This product must be mounted upright and fixed securely with the electrical connection point in the bottom right hand corner position as shown in the diagrams in Section 6. No other position is safe or acceptable.
- This product must be securely mounted to the wall/floor. When possible it should be attached to adequate blocking or framing.
- For mounting directly to sheetrock, where blocking or framing is not available, appropriate wall anchors must be used.

**Mounting for: EB24, EB27, EB29, EB30, EB31, EB34, EB35, EB36, EB49, EVR1, EO100, EO140, EO350 (Flange mounted products).**

- Place the product in the desired location and mark the position of the fixing holes.
- Drill holes according to choice of fixing (eg plastic anchors, wall blocking).
- Fix the product firmly to the wall / floor.
- Use all fixing holes to secure the product.

- According to the National Electrical Code all electrical work must be carried out by authorized /licensed professionals. For your safety, please ensure you adhere to these regulations.



The towel warmer will be hot. Please exercise caution if the towel warmer is accessible to children or the elderly. Please ensure that children are supervised at all times in the vicinity of the towel warmer and warn them that it is a hot surface that can cause burns.

## 3.0 Preparation

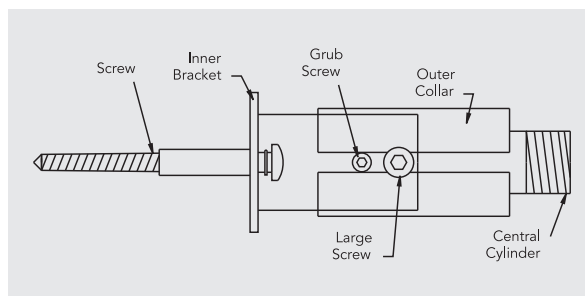
Before proceeding with installation, carefully unpack the carton and check against the checklist below:

- Towel Warmer
- Installation and Operating Instructions
- Warranty Information Sheet

It is the responsibility of the installer to inspect for any damage when the carton is opened. Shipping damage should be reported immediately to your place of purchase.

### Mounting for ERR, ECM, EMR, ECMH, EINT:

- Place the product in the desired location and mark the position of the fixing brackets.
- Drill holes such that the brackets line up with the location of the fixing lugs.
- Loosen the grub screw and the large screw on the bracket with the key provided, and remove the central cylinder. Fix the brackets firmly to the wall.
- Screw the central cylinders firmly into the fixing bosses on the back of the towel warmer, and then slide smoothly into the wall brackets. **DO NOT FORCE** - adjust wall bracket position to ensure smooth fitting.
- Tighten grub screw and large screw.



Note: The EINT model insert studs have hooks that interface with the welded brackets on the towel warmer

1.0

2.0

3.0

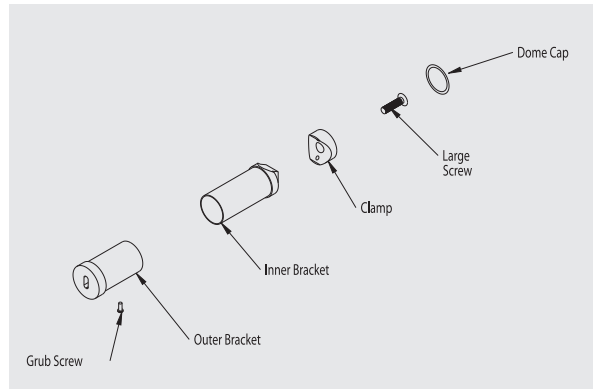
4.0

04 Sealed Electric Wall & Floor Mounted Towel Warmers

4.0 Fixing (cont)

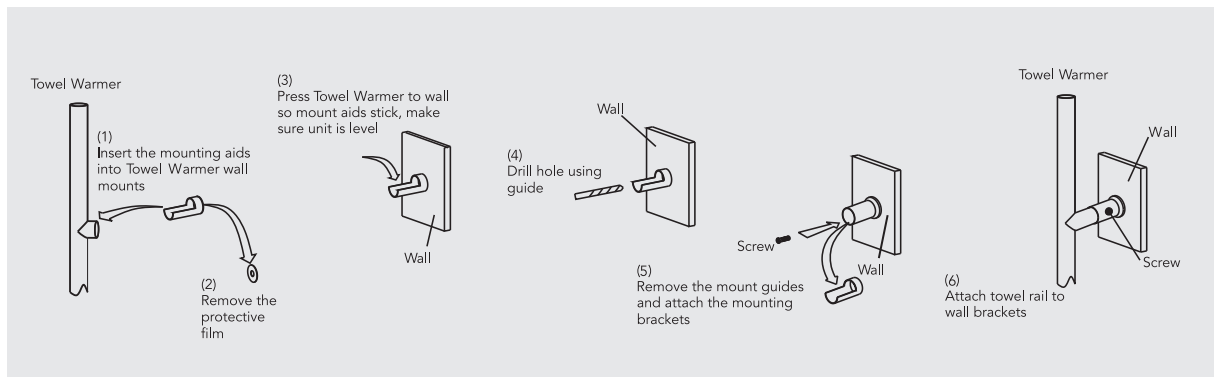
Mounting for ECOS:

- Secure inner bracket to rail in the positions shown in Technical Data (Section 6) using clamp and screw.
- Place the product in the desired location and mark the position of the inner fixing brackets.
- Drill holes such that the inner brackets line up with the location of the outer brackets.
- Fix inner brackets firmly to wall.
- Slide outer brackets onto inner brackets and lock with grub screw. DO NOT FORCE - adjust wall bracket position to ensure smooth fitting if necessary.



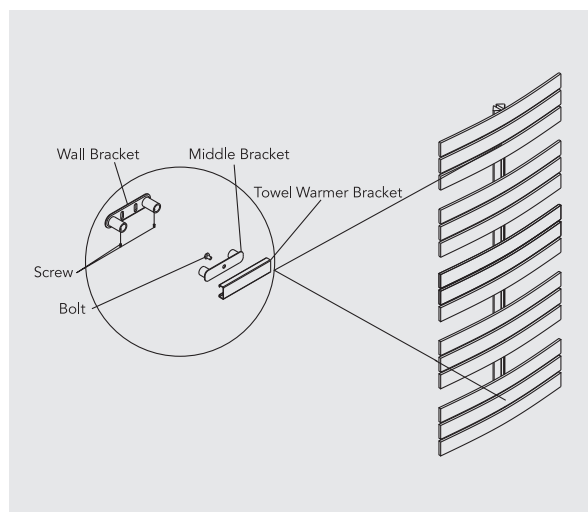
Mounting for EGAV:

Decide on the location for the towel warmer and then follow the fitting instructions below.



Mounting for ECAV:

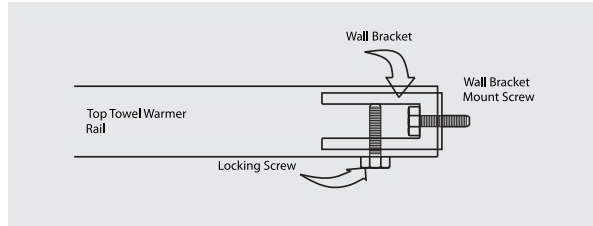
- Decide on the location for the towel warmer and mark the position of the wall brackets.
- Drill holes for the wall bracket and fix securely.
- Slide middle bracket into the towel warmer bracket and lock in place using the fixing screw.
- Slide towel warmer onto wall bracket. DO NOT FORCE - adjust wall bracket position to ensure smooth fitting.
- Tighten the grub screws.



**4.0 Fixing (cont)**

**Mounting for ES40:**

- Place the product in the desired location and mark the position of the fixing brackets.
- Drill holes and fix wall bracket securely.
- Slide the towel warmer onto the wall brackets. DO NOT FORCE - adjust wall bracket position to ensure smooth fitting.
- Tighten the locking screw.



For the correct installation of radiators it is essential that the fixing of the towel warmer is carried out in such a way that it is suitable for intended use AND predictable misuse. A number of elements need to be taken into consideration including the fixing method used to secure the towel warmer to the wall, the type and condition of the wall itself, and any additional potential forces or weights that may happen to be applied to the towel warmer, prior to finalising installation.

4.0

**5.0 Electrical Connection**



Electrical connection of this product must be carried out by a licensed electrician, in accordance with LOCAL OR NATIONAL ELECTRICAL CODES.



If tube is to be rotated, the grub screws must be completely loosened before turning.



This product may be hot to touch. It is the responsibility of the installer to ensure this caution is brought to the attention of all users.

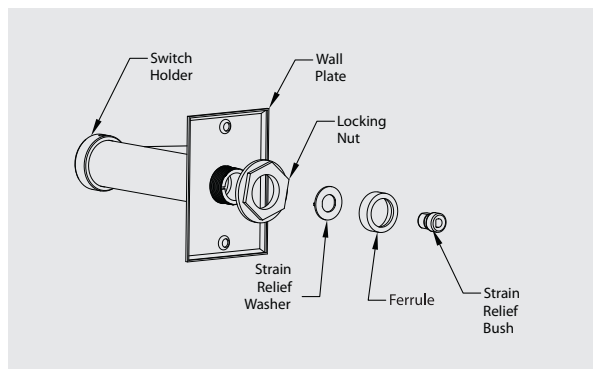
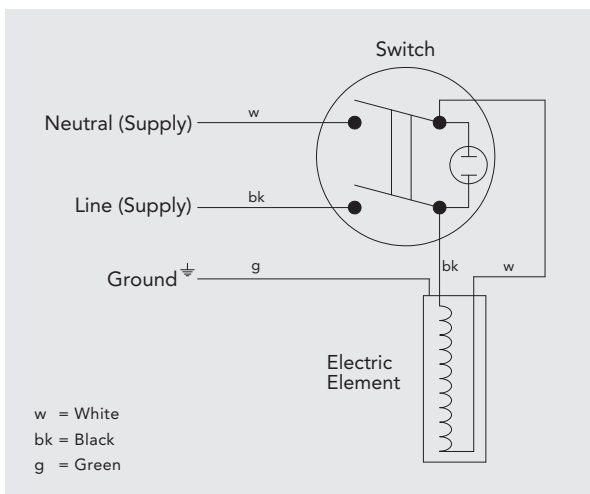
Provision for disconnection from the electrical supply must be incorporated in the fixed wiring in accordance with the wiring rules.

To provide continued protection against risk of electric shock, connect to properly grounded outlets only.

It is recommended this towel warmer is fitted to a GFI breaker. A dedicated circuit is required.

- Prior to fixing and electrical connection the 120V AC wiring must be 'roughed in' to a standard size outlet box in the wall. The wire box should be positioned at the lower right corner of the product. Check the product specifications for the exact location of the box in the wall.
- At this point, the mounting hardware should be located and fixed to the wall.
- Remove the ferrule at the end of the tube. Put the wires through the wall plate and fix the wall plate to the tube by tightening the large nut supplied with the kit. Replace the ferrule on the end of the tube and tighten ensuring that the strain relief plate is firmly located with the dimples aligned.
- Connect the wires from the product to the wires in the wall box using appropriate wire nut connectors. Connectors should be tight so as to prevent arcing or heat build up from poor connection.
- Slip the product onto its mounting hardware on the wall and tighten. Align the wall plate with the box and mount with screws.
- The switch tube on EB30 can be mounted vertically if desired. Loosen the two set screws and rotate the tube to the vertical position. Re-tighten set screws.
- Switch on the electrical supply. Turn on the product and allow 30+ minutes to warm up.

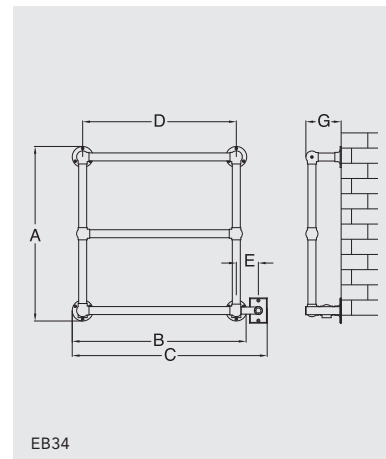
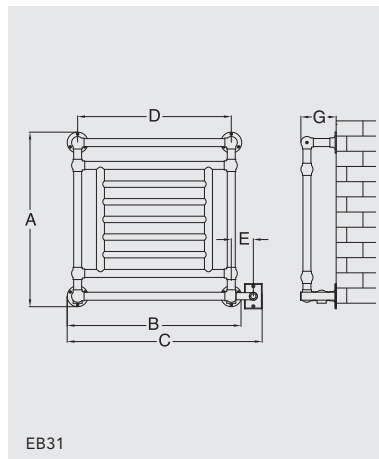
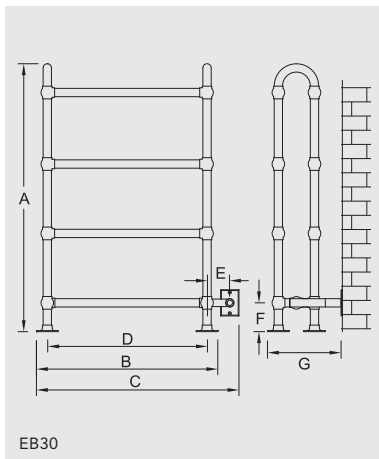
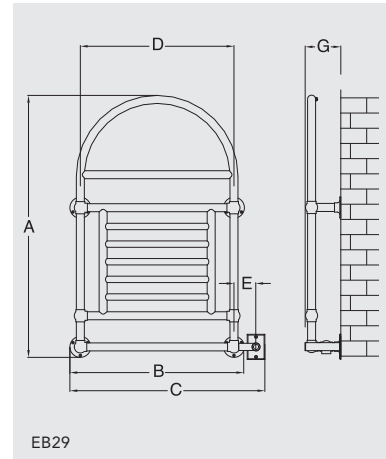
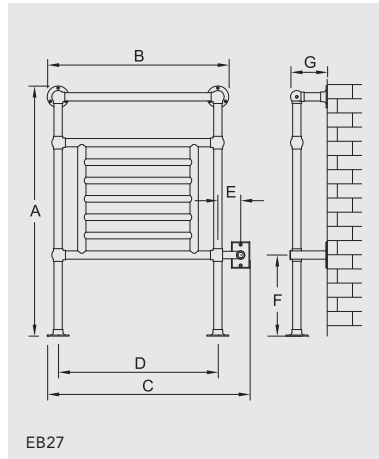
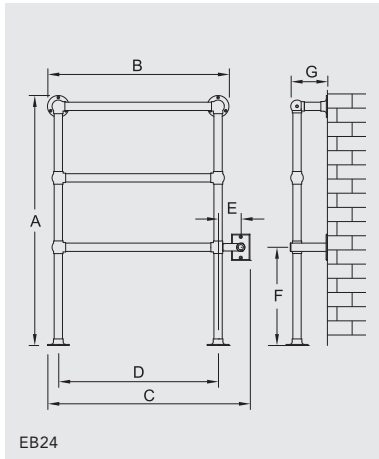
5.0



06 Sealed Electric Wall & Floor Mounted Towel Warmers

6.0 Technical Data

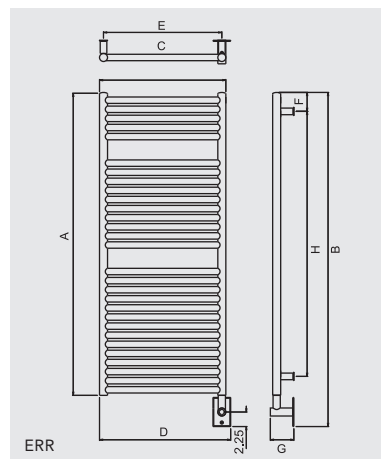
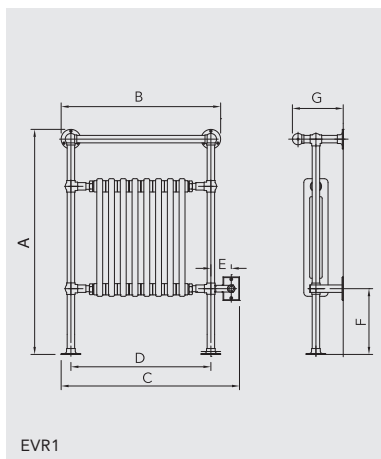
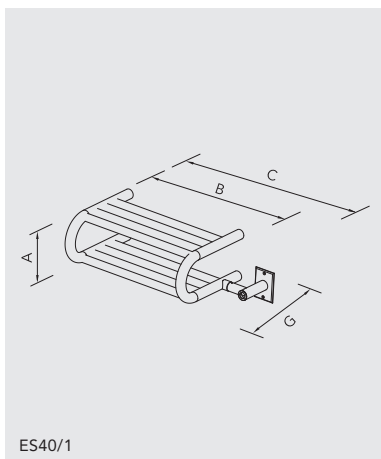
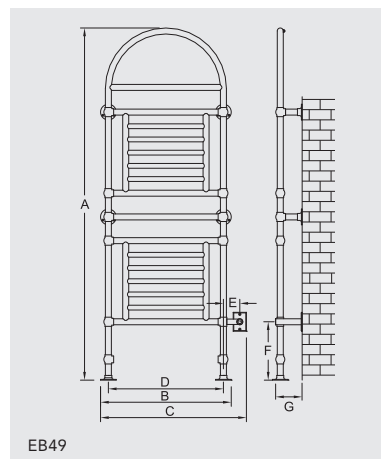
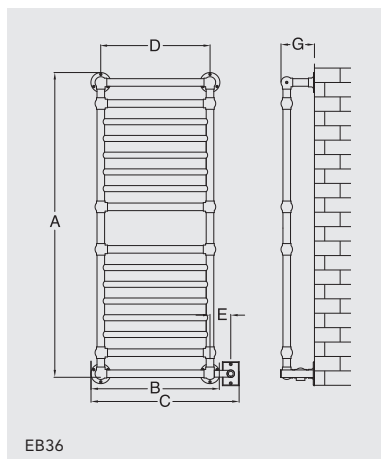
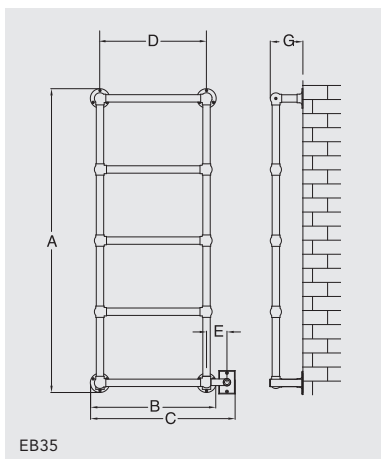
Dimension Drawings



Model	Power* (Watts)	Dimensions (ins)								Tube diameter (ins)	Approx shipping weight (lbs)
		A	B	C	D	E	F	G	H		
EB24	100	37 5/8	27 5/16	30 7/16	24	3 3/8	14 3/4	5 1/2	N/A	1 1/4	55
EB27	200	37 5/8	27 5/16	30 7/16	24	3 3/8	12 3/16	5 1/2	N/A	1 1/4	60
EB29	200	40 15/16	27 5/16	30 7/16	24	3 3/8	N/A	5 1/2	N/A	1 1/4	65
EB30	200	40 3/8	27 5/16	30 7/16	24	3 3/8	4 1/2	11 1/4	N/A	1 1/4	80
EB31	200	27 5/16	27 5/16	30 7/16	24	3 3/8	N/A	5 1/2	N/A	1 1/4	55
EB34	100	27 5/16	27 5/16	30 7/16	24	3 3/8	N/A	5 1/2	N/A	1 1/4	40

\*Represents draw at steady state. Power could be higher during warm up.

6.0 Technical Data (cont)



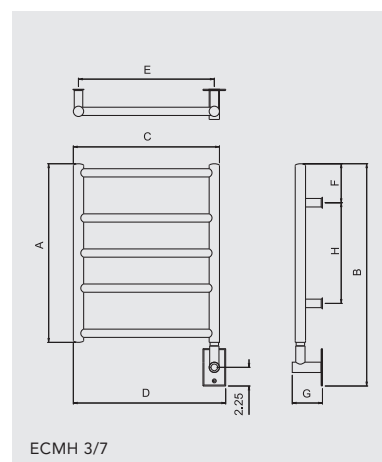
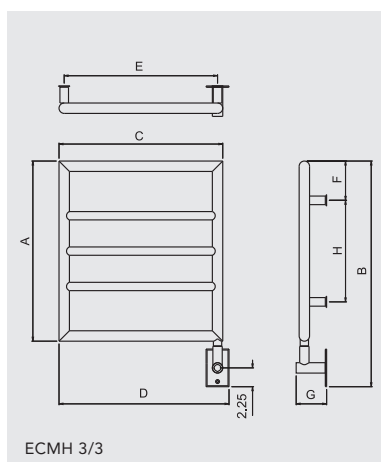
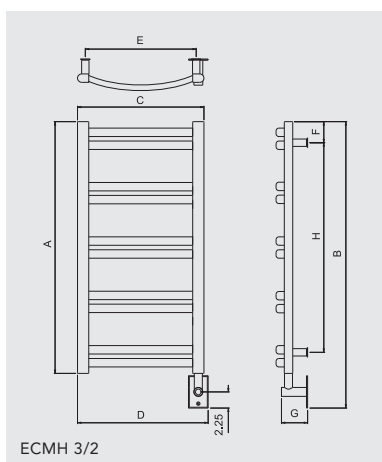
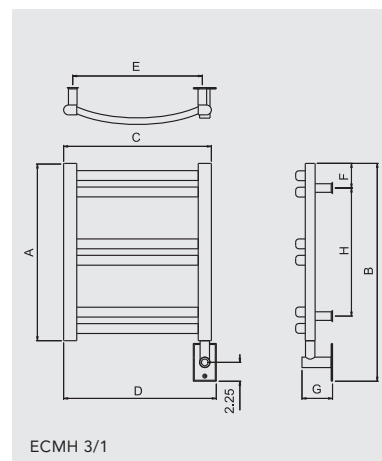
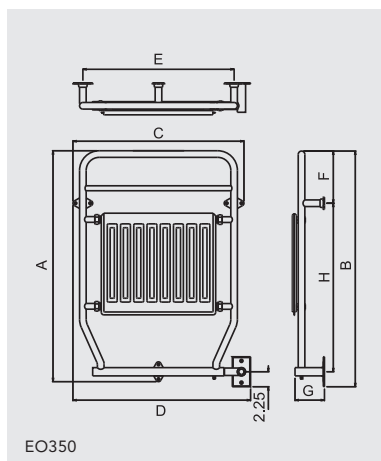
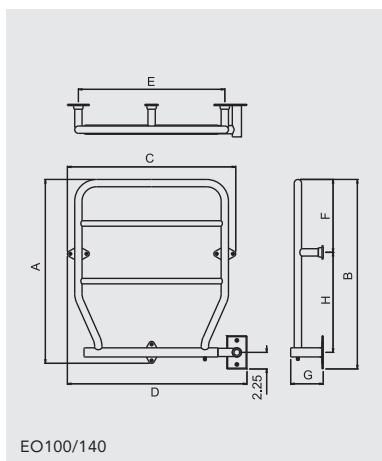
Model	Power* (Watts)	Dimensions (ins)								Tube diameter (ins)	Approx shipping weight (lbs)
		A	B	C	D	E	F	G	H		
EB35	150	51 5/16	21 1/4	24 7/16	18	3 3/8	N/A	5 1/2	N/A	1 1/4	150
EB36	280	51 5/16	21 1/4	24 7/16	18	3 3/8	N/A	5 1/2	N/A	1 1/4	150
EB49	285	73 1/2	27 5/16	30 7/16	24	3 3/8	12 3/16	5 1/2	N/A	1 1/4	150
ES40/1	115	6 3/4	18 1/4	22 1/4	N/A	N/A	N/A	12	N/A	1 1/4	34
ES40/2	200	6 3/4	24 1/4	28 3/4	N/A	N/A	N/A	12	N/A	1 1/4	39
EVR1	385	37 5/8	26 5/8	29 3/4	23 3/8	3 3/8	11 7/16	8 1/2	N/A	1 1/4	150
ERR1	230 PL 330 PA	30 9/16	34 13/16	19 11/16	20 7/16	18 7/16	3 3/8	4	24		41
ERR2	240 PL 355 PA	30 9/16	34 13/16	23 5/8	24 3/8	22 3/8	3 3/8	4	24	1 1/2 vertical	47
ERR3	300 PL 435 PA	30 9/16	34 13/16	29 1/2	30 1/4	28 1/4	3 3/8	4	24	1 horizontal	58
ERR4	370 PL 500 PA	47 1/2	52 1/2	19 11/16	20 7/16	18 7/16	3 3/8	4	40 15/16		61

\*Represents draw at steady state. Power could be higher during warm up.  
 PL = Plated Finishes  
 PA = Painted Finishes

6.0

08 Sealed Electric Wall & Floor Mounted Towel Warmers

6.0 Technical Data (cont)

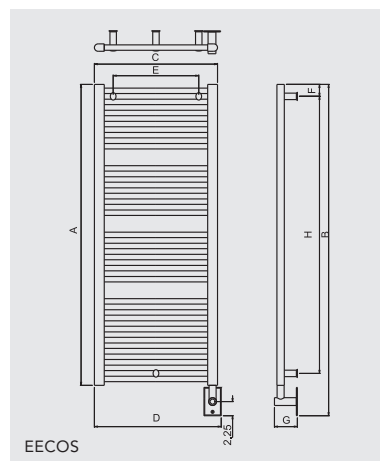
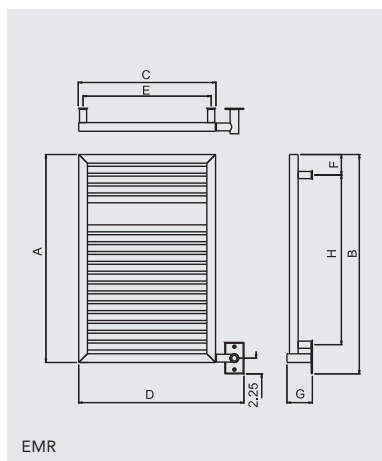
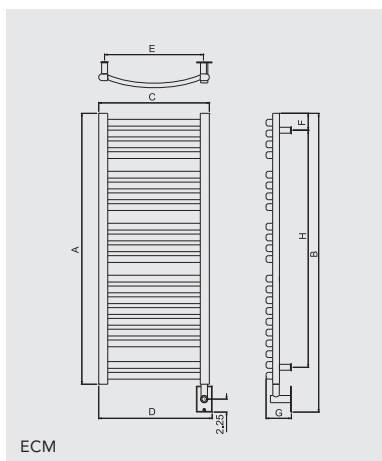


Model	Power* (Watts)	Dimensions (ins)								Tube diameter (ins)	Approx shipping weight (lbs)
		A	B	C	D	E	F	G	H		
EO100	95 PL 110 PA	25 1/8	25 7/8	23 1/4	24 5/8	20	10	4	13 11/16	1	21
EO140	135 PL 185 PA	34 7/8	35 5/8	23 1/4	24 5/8	20	10	4	23	1	31
EO350	190 PL 300 PA	34 7/8	35 5/8	25 9/16	26 15/16	22 7/8	7 15/16	4	25 7/16	1	40
ECMH3/1	75 PL 100 PA	21 1/4	26 1/4	17 1/4	17 7/8	15 1/16	2 15/16	4 7/16	15 3/8	1 1/2 vertical	20
ECMH3/2	100 PL 150 PA	35 1/4	40 1/4	17 1/4	17 13/16	15 1/16	2 15/16	4 7/16	29 3/8	1 horizontal	28
ECMH3/3	75 PL 100 PA	21 5/8	27 3/8	19 11/16	20 7/16	18 7/16	4 3/4	4	12 3/16	1 1/4 vertical	24
ECMH3/7	75 PL 100 PA	21 5/8	26 1/16	17 1/4	18	16	4 3/4	4	12 3/16	1 horizontal	24

\*Represents draw at steady state. Power could be higher during warm up.  
 PL = Plated Finishes  
 PA = Painted Finishes



6.0 Technical Data (cont)



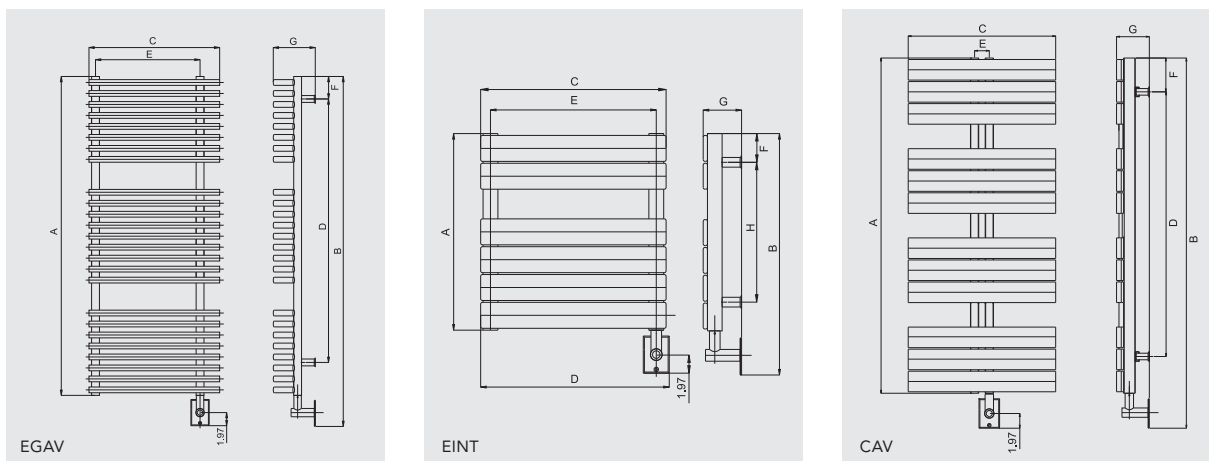
Model	Power* (Watts)	Dimensions (ins)								Tube diameter (ins)	Approx shipping weight (lbs)
		A	B	C	D	E	F	G	H		
ECM1	220 PL 235 PA	28 3/4	33 5/8	19 5/16	19 3/16	17 3/16	3 1/8	4 1/2	22 7/16	1 1/2 vertical 1 horizontal oval tubes	41
ECM2	230 PL 225 PA	28 3/4	33 5/8	23 1/4	23 3/4	21 1/8	3 1/8	4 1/2	22 7/16		47
ECM3	210 PL 320 PA	28 3/4	33 5/8	29 1/8	29 5/8	27	3 1/8	4 1/2	22 7/16		58
ECM4	255 PL 475 PA	47 1/4	52 3/16	19 5/16	23 3/4	17 3/16	3 1/8	4 1/2	40 15/16		61
EMR750	190 PL 225 PA	29 15/16	35 1/2	19 11/16	23 7/8	18 7/16	3 1/8	4	23 5/8	1 1/4 & 1	39
EECOS85	200	33 15/16	38 7/8	19 11/16	20 3/16	12	3 11/16	4	26 9/16	1 1/2 vertical 1 horizontal tubes	40
EECOS86	200	33 15/16	38 7/8	23 5/8	24 1/8	16	3 11/16	4	26 9/16		45
EECOS125	300	48 1/8	53 1/16	19 11/16	20 3/16	12	7 1/4	4	33 11/16		60
EECOS126	300 PL 400 PA	48 1/8	53 1/16	23 5/8	24 1/8	16	7 1/4	4	33 11/16		70

\*Represents draw at steady state. Power could be higher during warm up.  
 PL = Plated Finishes  
 PA = Painted Finishes

6.0

10 Sealed Electric Wall & Floor Mounted Towel Warmers

6.0 Technical Data (cont)



Model	Power* (Watts)	Dimensions (ins)								Tube diameter (ins)	Approx shipping weight (lbs)
		A	B	C	D	E	F	G	H		
EGAV1	150 PL 250 PA	29 13/16	34 13/16	19 11/16	23 1/8	15 3/4	3 3/8	5 13/16	N/A	1 3/16 vertical 7/8 horizontal tubes	40
EGAV2	200 PL 300 PA	29 13/16	34 13/16	23 5/8	23 1/8	19 1/2	3 3/8	6 3/16	N/A		46
EGAV3	300 PL 400 PA	48 1/16	53	19 11/16	41 5/16	15 3/4	3 3/8	5 13/16	N/A		52
EGAV4	400 PL 500 PA	48 1/16	53	23 5/8	41 5/16	19 1/2	3 3/8	6 3/16	N/A		58
EINT1	250	20 7/8	25 13/16	19 11/16	20	17 5/8	3 1/8	4 1/8	13	Flat tube product	40
EINT2	400	35 5/8	40 9/16	19 11/16	20	17 5/8	3 1/8	4 1/8	24 7/16		48
EINT3	500	65 3/16	70 1/8	19 11/16	20	17 5/8	3 1/8	4 1/8	57 1/2		54
CAV1	250	44 1/2	49 7/16	25 9/16	35 7/16	2	4 1/2	5 3/16	N/A	N/A	40
CAV2	500	56 5/16	61 1/4	25 9/16	47 1/4	2	4 1/2	5 3/16	N/A	N/A	60

\*Represents draw at steady state. Power could be higher during warm up.

PL = Plated Finishes

PA = Painted Finishes

Electrical Specification

- The towel warmer requires 120VAC, 60Hz power supply.
- The towel warmer is to be protected by a separate 15 amp circuit breaker or equal.
- In accordance with our policy of continual improvement, we reserve the right to amend specifications without prior notice.

## 7.0 Operating Instructions

- The unit can be left on constantly if desired, without detrimental effect.
- The unit can be switched on or off using the control switch on the unit or using optional programmable timer.
- The temperature of the unit may vary during operation.



Fabrics that contain soap, laundry detergent, liquid fabric softener or bath oil residue may show what appears to be scorch marks. This is simply discoloration due to the residue. The towel warmer does not reach sufficient temperature to scorch fabric. We are not responsible for fabric discoloration due to laundry detergent, softener or bath oil. As a precaution we recommend you place a towel directly onto the rail before placing items of clothing.

## 8.0 Maintenance



**Cleaning:** The finish of your MYSON towel warmer can be protected and maintained by an occasional wiping with a soft, non-abrasive, damp cloth then lightly polishing with a soft dry cloth when the towel warmer is cold. Under no circumstances should abrasive cleaning powders, metal polish or chlorine based cleaners be used on any part of this product.



This product is filled with a precise quantity of liquid. Any leakage from the product, and any repairs that involve opening the product must be dealt with by the manufacturer or its representative.

- If the supply cord is damaged, it must be replaced by the manufacturer, its service agent, or a similarly qualified person in order to avoid a hazard.
- The liquid in this product is not affected by temperatures below 0°F.
- Please contact your supplier in the event of any problems or if repair is needed.



**MYSON** MYSON Inc. 948 Hercules Drive, Suite 5, Colchester, Vermont VT 05446  
T: (802) 654-7500, F: (802) 654 7022, info@mysoninc.com, www.mysoninc.com

---

