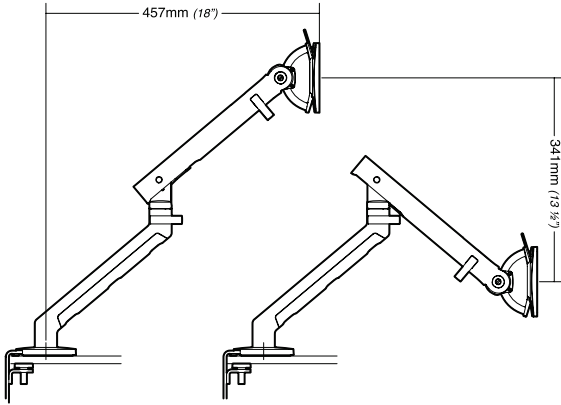


FLO MONITOR ARM

Code: DYN/013/001

Flo is the latest in a long line of industry leading monitor supports from Colebrook Bosson Saunders. Utilising clear spring technology, it provides the greatest range of articulation of all 'dynamic' monitor arms and will support its full weight range of screens more reliably, economically, and easily than any of its competitors. Flo provides easy finger-tip adjustability which makes it the ideal solution for today's modern office, while the visual indicator ensures consistency and time saving when optimising Flo to the screen weight.

Flo: setting new standards of performance and technology integration.



TECHNICAL SPECIFICATIONS

BASIC SPECIFICATIONS

Screen Size:	Up to 24"
Screen Weight:	Up to 9kgs
Colour	Silver / White

MORE SPECIFICATIONS

Arm Length:	515mm
Post:	N/A
Mounting:	VESA MIS-D 75x75mm & 100x100mm mounting patterns

MONITOR FLEXIBILITY

Vertical Adjustment:	341mm
Tilt:	40° upward -40° downward
Pan:	
Rotation:	360° (portrait to landscape)



PRODUCT CODES

DESCRIPTION	CODE
Flo with clamp - Silver	DYN/013/001/S
Flo with clamp - White	DYN/013/001/W
Flo with through desk - Silver	DYN/013/001/TD/S
Flo with through desk - White	DYN/013/001/TD/W