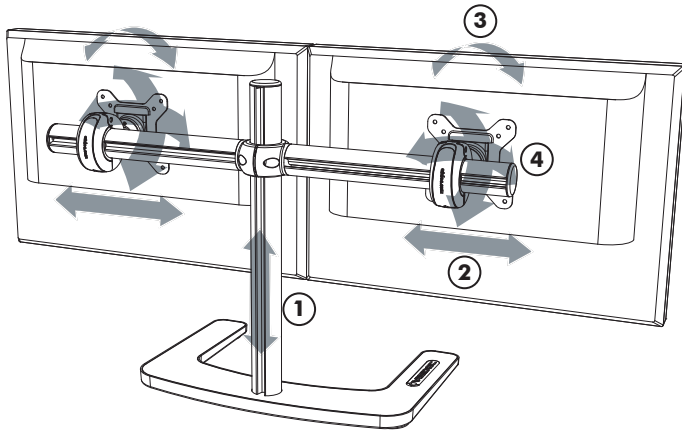


# Technical Specifications

## visidec

Freestanding | Double Horizontal

### General Features



#### Display Compatibility:

Visidec Freestanding Double Horizontal is compatible with Flat Panel Displays measuring up to 635mm (25") wide, with either 75mm x 75mm or 100mm x 100mm VESA mounting hole patterns.

#### Display Weight Compatibility:

Each Quickshift Donut supports a maximum weight of 12kg (26.5lbs)

#### Cable Management:

Cable Slot, Cable Clips and Cable Balls (included in package)

#### Colour Options:

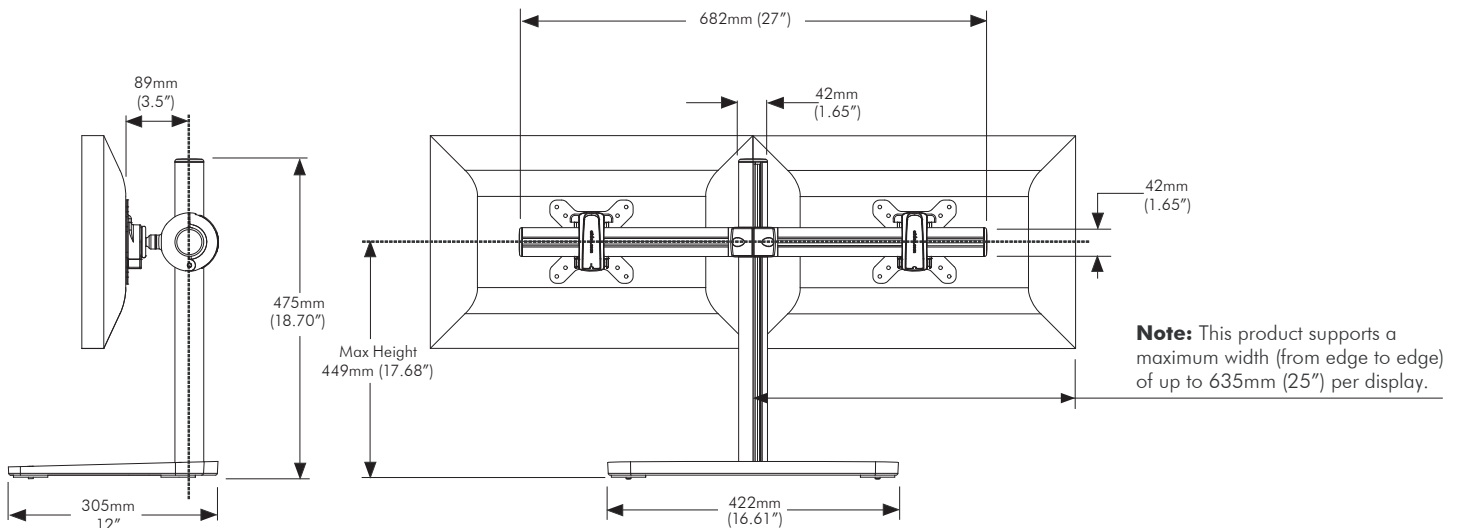
- Pole available in Matt Silver Anodised only.
- Quickshift Donut available in Black only.
- Base available in Black/Silver only.

#### Warranty:

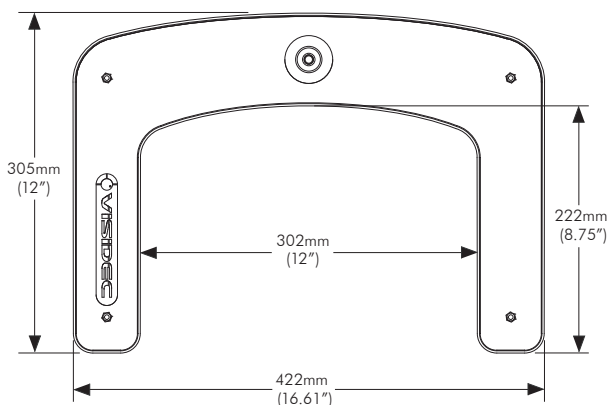
10 years limited

- |   |                                   |
|---|-----------------------------------|
| 1 | Vertical height adjustment        |
| 2 | Horizontal adjustment             |
| 3 | 360°Portrait/Landscape adjustment |
| 4 | ±20° Pan/Tilt adjustment          |

### Overall Dimensions



### Base Dimensions



### VESA Display Mounting Options

Choose the correct Mounting Screws supplied in the Hardware box and attach the display as shown.

