



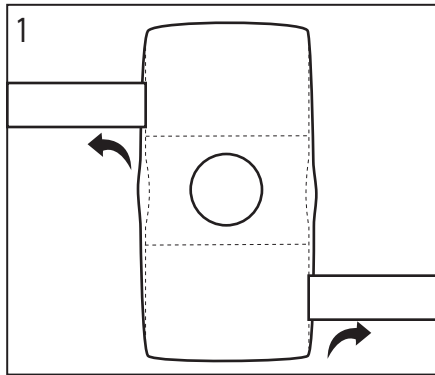
Hinged Knee Brace

APPLICATION INSTRUCTIONS

CP020408 Rev D 02/12

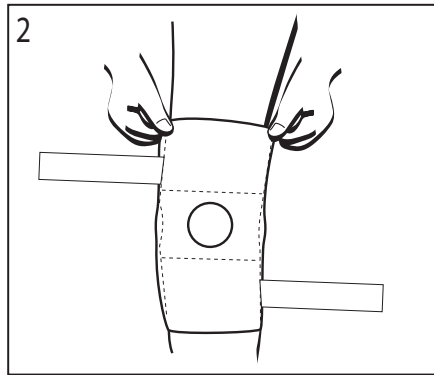
This device is offered for sale by or on the order of a physician or other qualified medical professional. This device is not intended for reuse on a second patient. This device is not intended to prevent injuries or reduce or eliminate the risk of injury.

Pull-On Version



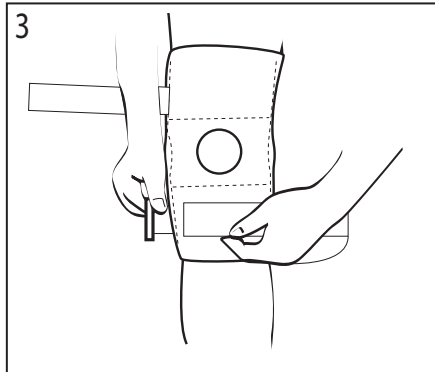
1. Loosen All Straps

Loosen all straps to their maximum circumference. This allows more freedom when pulling the brace onto the leg.



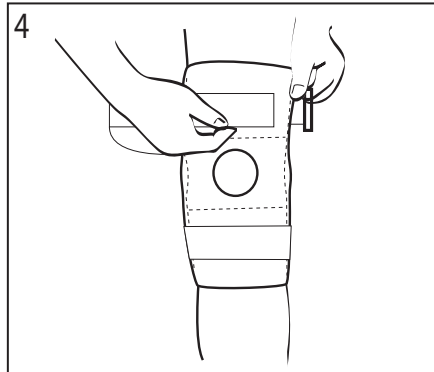
2. Apply Sleeve

Pull the sleeve onto the leg until the hinges line up with the center of the knee. Position the front hole directly over the knee cap.



3. Secure Lower Strap

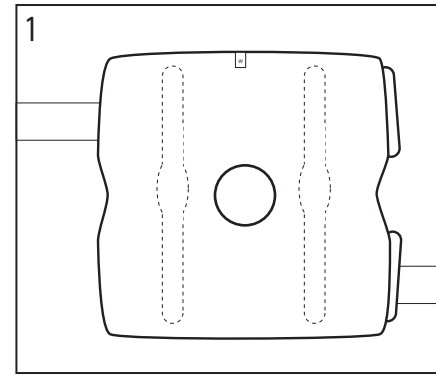
Wrap lower strap around the brace, then loop strap through D-ring. Pull strap back to tighten and press tab end to secure.



4. Secure Upper Strap

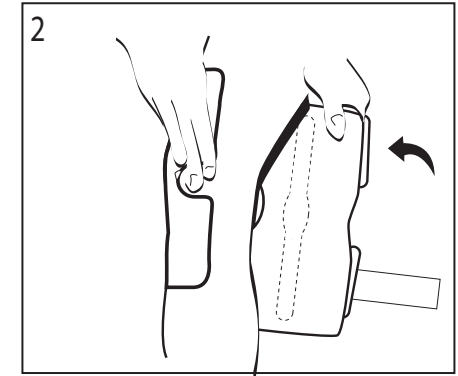
Wrap upper strap around the brace, then loop strap through D-ring. Pull strap back to tighten and press tab end to secure.

Front Closure Version



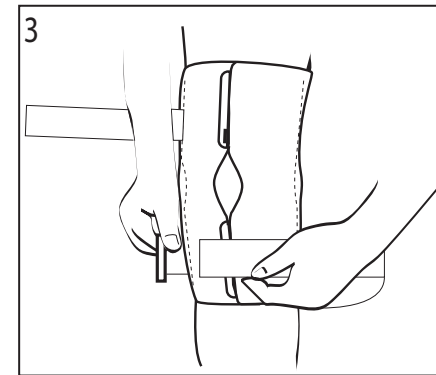
1. Loosen All Straps

Loosen all straps to their maximum circumference. This allows more freedom when applying the brace to the leg.



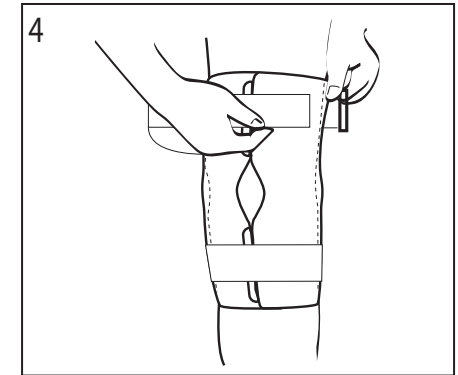
2. Apply Sleeve

With the leg bent at 60°, wrap the sleeve around the leg so that the hinges line up with the center of the knee. Secure the wrap with the hook-to-pile fastener. If necessary, reposition the wrap for an even fit. The front hole should be positioned over the knee cap.



3. Secure Lower Strap

Wrap lower strap around the brace, then loop strap through D-ring. Pull strap back to tighten and press tab end to secure.



4. Secure Upper Strap

Wrap upper strap around the brace, then loop strap through D-ring. Pull strap back to tighten and press tab end to secure.

INDICATIONS: Indicated for support of the knee.

CONTRAINDICATIONS: Contraindicated for fractures of the proximal femur or the distal tibia, fibula, and patella.

CAUTION: Activity modification and proper rehabilitation are an essential part of a safe treatment program. If any additional pain or other symptoms occur while using this device, discontinue use and seek medical attention.

CAUTION: This device is not intended to prevent injury, or reduce or eliminate the risk of re-injury.

CAUTION: This device has been developed for the indications listed above, and may be damaged by unusual activities such as sports, falls, or other accidents, or exposure of the hinges to debris or liquids. Do not leave this device in a car on a hot day, or in any other place where the temperature may exceed 150F (65 C.) for any extended period of time. To avoid the risk of accident and possible injury to the patient, discontinue use if such an incident has occurred.

CLEANING INSTRUCTIONS: Remove brace hinges. Brace should be hand washed, using warm water and a detergent for delicate fabrics (such as Woolite™). Triple rinse, squeeze and line dry. Do not twist.

WARRANTY: This device is warranted to be free from defects in material and workmanship for a period of 90 days. This warranty applies to devices that have not been modified or subjected to misuse, abuse or neglect. This device is expressly subject to Bledsoe's Product Line Limited Warranty. Copies of this limited warranty can be obtained from your medical professional, via the Internet at www.BledsoeBrace.com, or by calling 1.888.BLEDISOE (253.3763).

© 2012 Medical Technology Inc., d/b/a Bledsoe Brace Systems.

All Rights Reserved.

2601 Pinewood Grand Prairie, Texas, 75051, USA

Tel: 1.888.BLEDISOE (253.3763)

Local: 972.647.0884 • Local Fax: 972.660.5495

www.BledsoeBrace.com

EUROPEAN AUTHORIZED REPRESENTATIVE

EC	REP	EMERGO EUROPE Molenstraat 15 2513 BH, The Hague The Netherlands Tel: (+31) 70 345 8570 Fax: (+31) 70 346 7299
----	-----	--



Council Directive 93/42/EEC
of 14 June 1993 concerning Medical devices