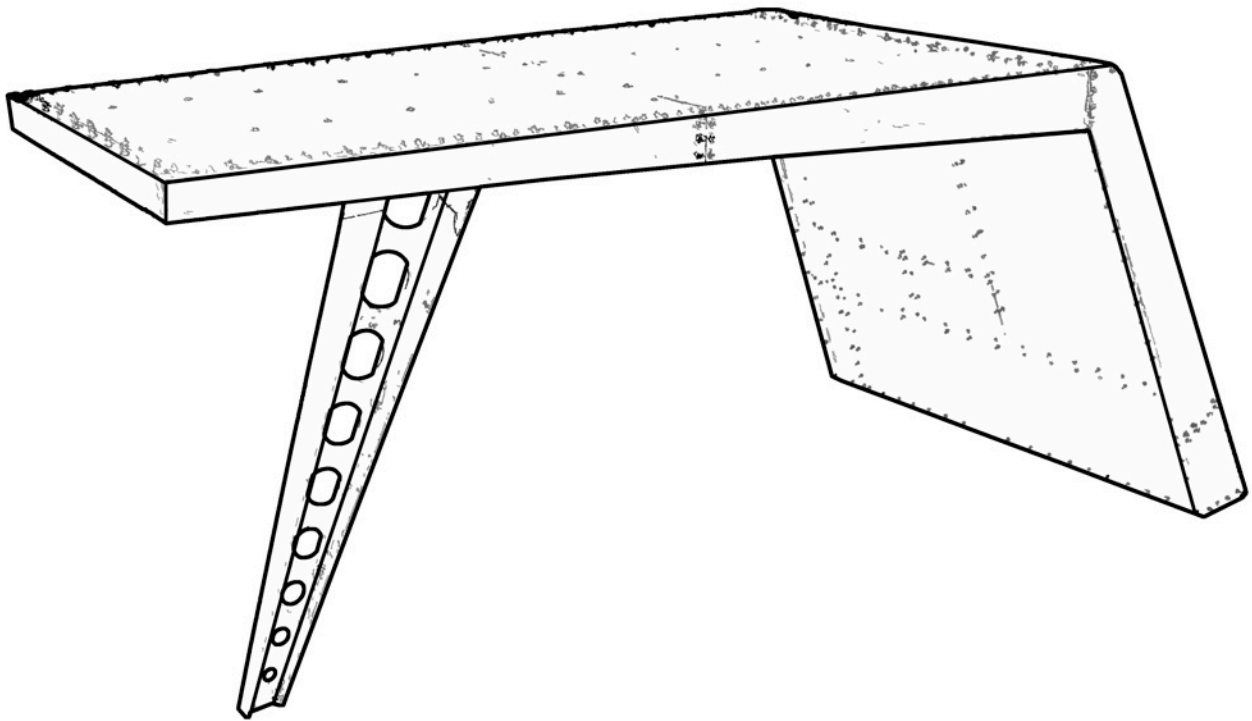


AIRFOIL DESK

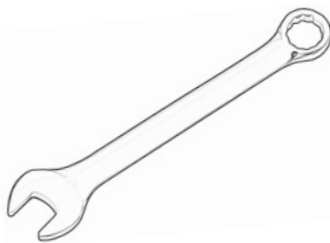
+

ASSEMBLY INSTRUCTIONS

MODELS :: AD1001A AD1002B AD1003C



HARDWARE LIST



X 1



X 6

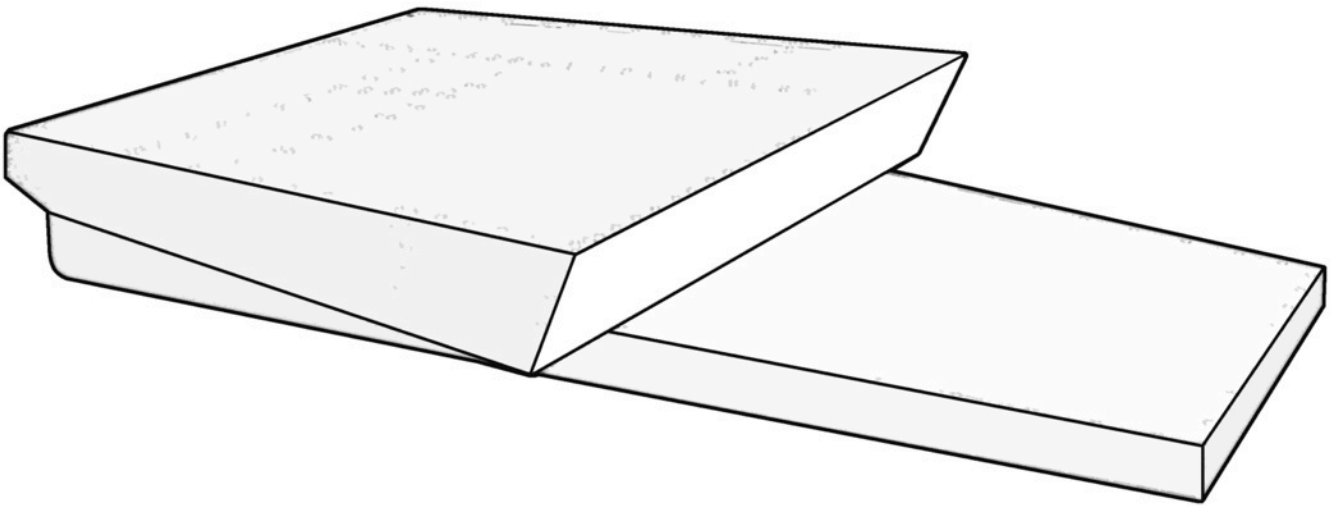


X 6

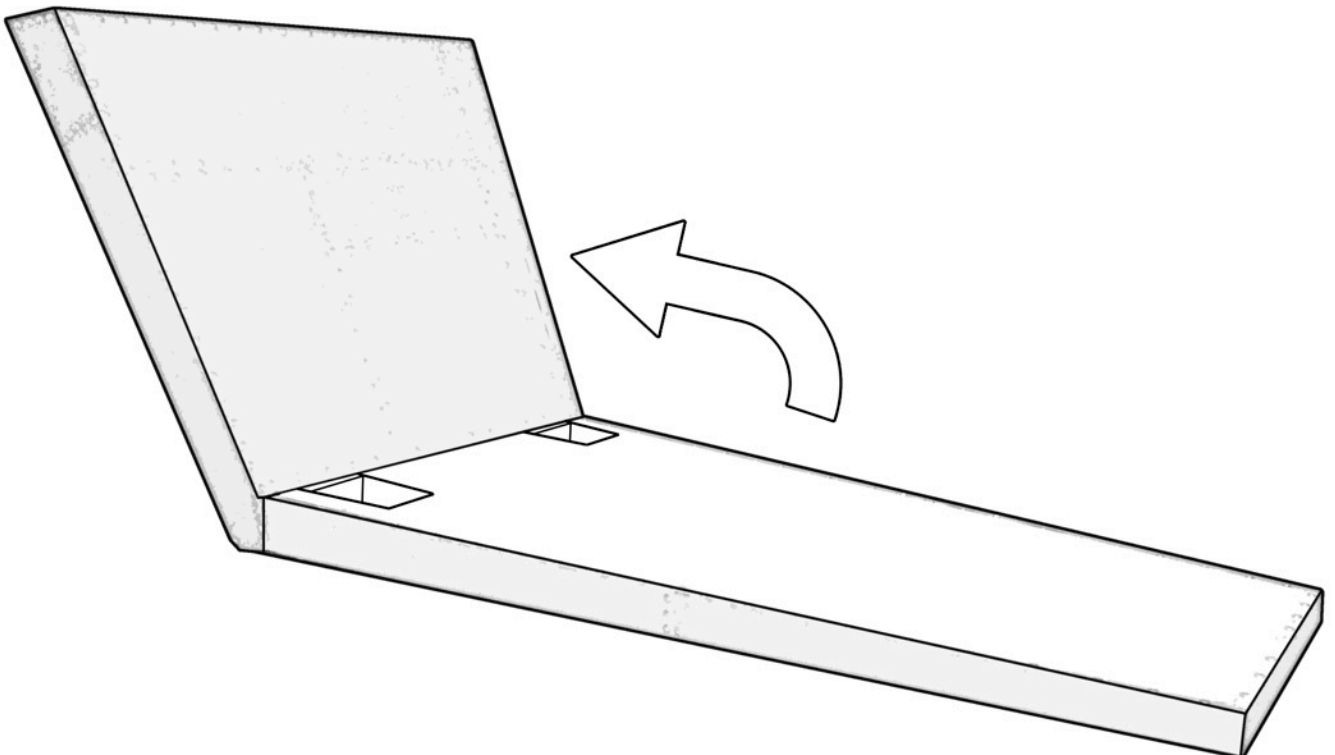


X 6

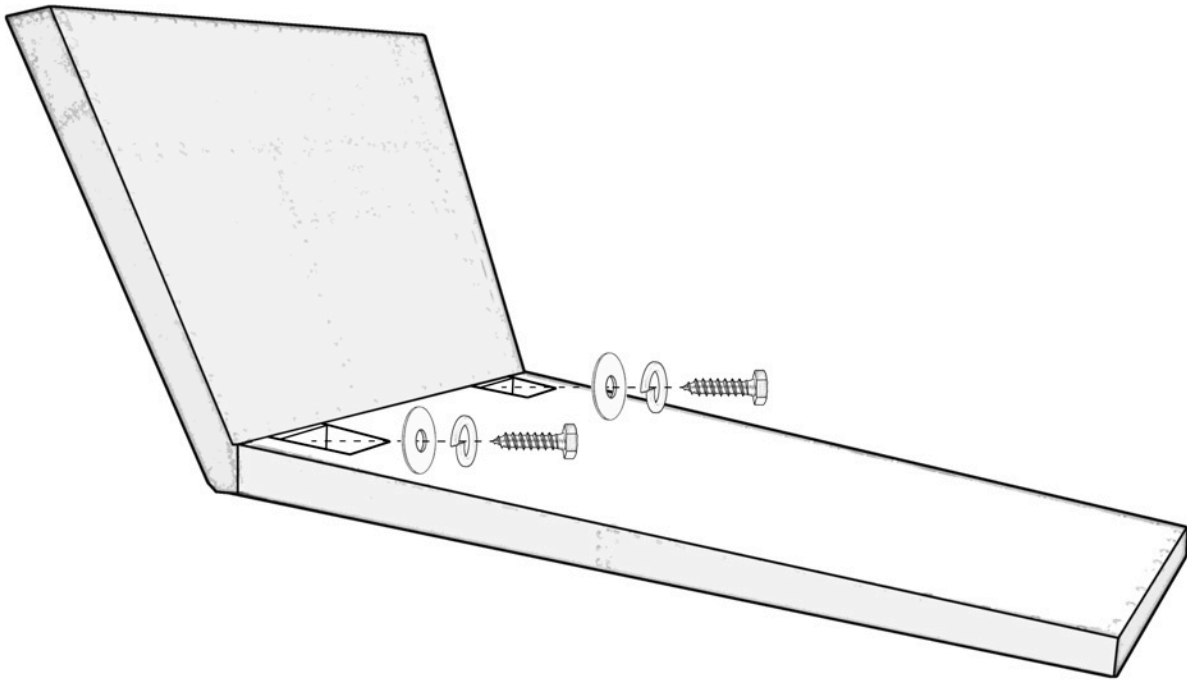
STEP ONE :: REMOVE DESK FROM BOX AND LAY UPSIDE DOWN.
(ON TOP OF BOX TO PREVENT SCRATCHES TO THE DESK AND YOUR FLOORING)



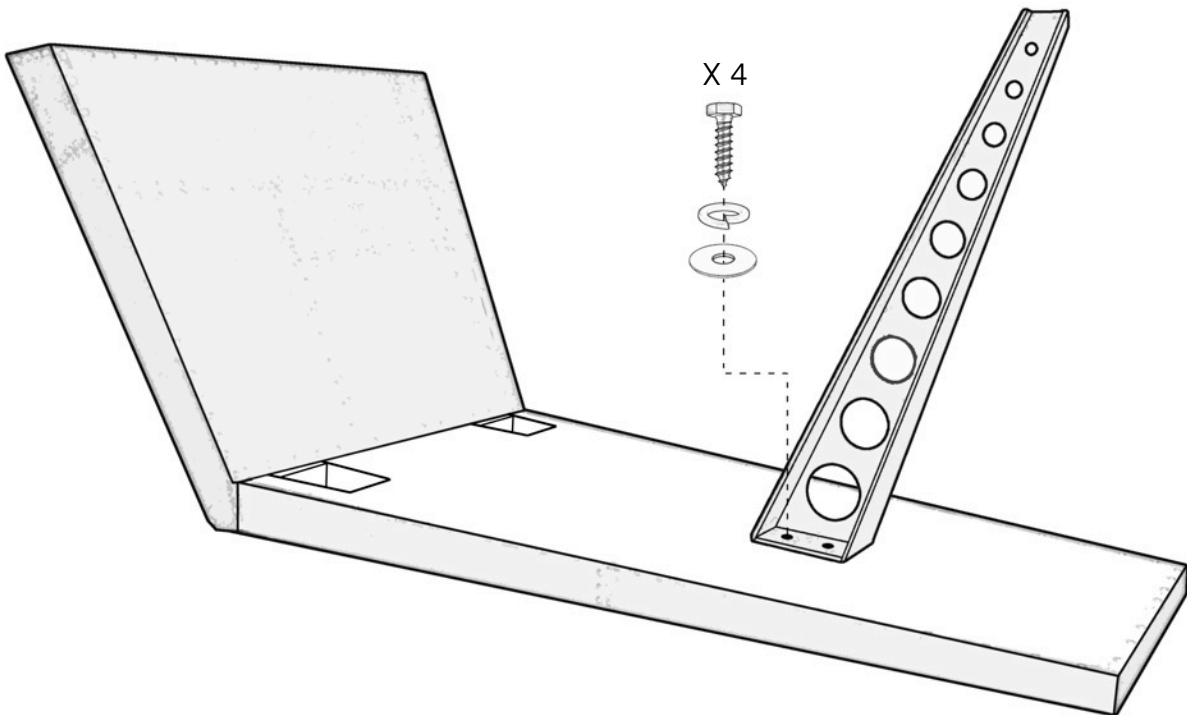
STEP TWO :: FOLD OUT HINGED BASE OF DESK.



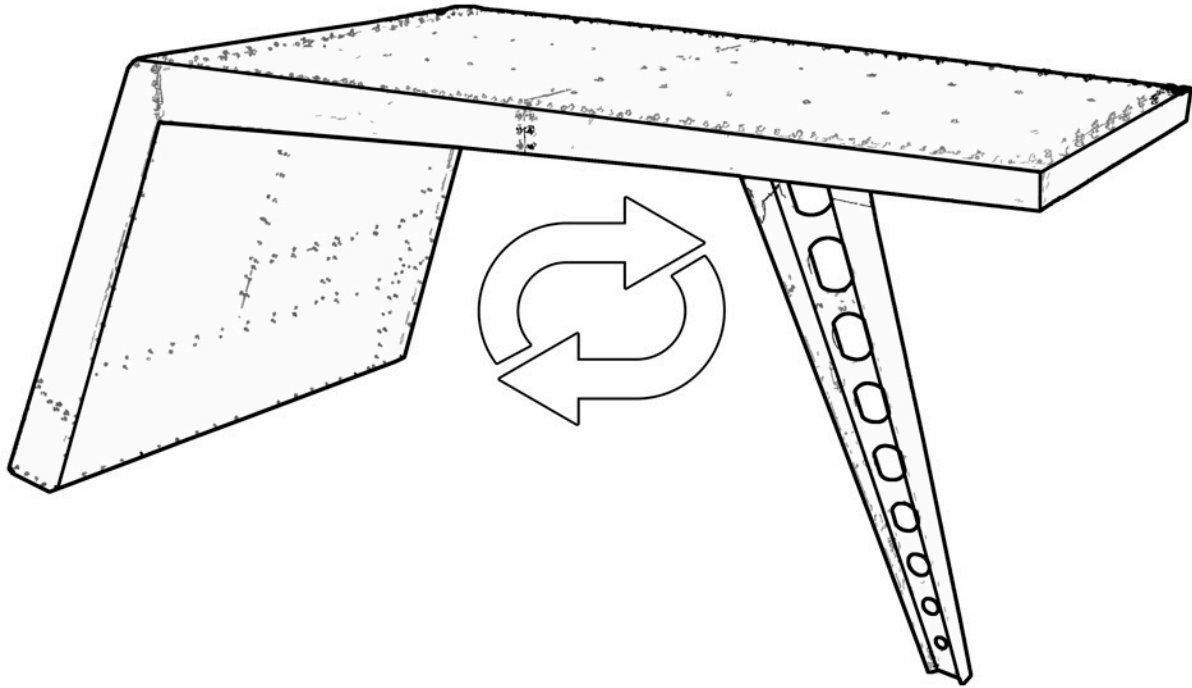
STEP THREE :: SECURE BASE WITH TWO SUPPLIED BOLTS AS SHOWN. TIGHTEN BOLTS WITH SUPPLIED WRENCH.



STEP FOUR :: ATTACH THE ALUMINUM SUPPORT WITH FOUR SUPPLIED BOLTS AS SHOWN. TIGHTEN BOLTS WITH SUPPLIED WRENCH.



STEP FIVE :: WITH ASSISTANCE FROM SOMEONE WITH EQUALLY GOOD TASTE IN FURNISHINGS,
CAREFULLY FLIP DESK OVER TO ITS RIGHT-SIDE UP POSITION.
(SOMEONE WITH BAD TASTE WILL WORK IN A PINCH)



CARE INSTRUCTIONS

TO CLEAN DESK, BUFF WITH SOFT MICROFIBER CLOTH AND A GENTLE ALL-PURPOSE
CLEANER. METAL POLISH CAN BE USED BUT MAY CHANGE THE DESK FINISH BY
ALTERING ITS SHEEN.

EXPERIENCING ISSUES?

ARE YOU EXPERIENCING ISSUES WITH ASSEMBLY? MISSING PARTS? WANT TO RETURN
A PRODUCT? SEND US AN EMAIL AT: SALES@RAMONAMETAL.COM

ALL RAMONAMETAL PRODUCTS ARE **HANDMADE** IN THE UNITED STATES
THIS LITERATURE WAS PRINTED IN THE USA