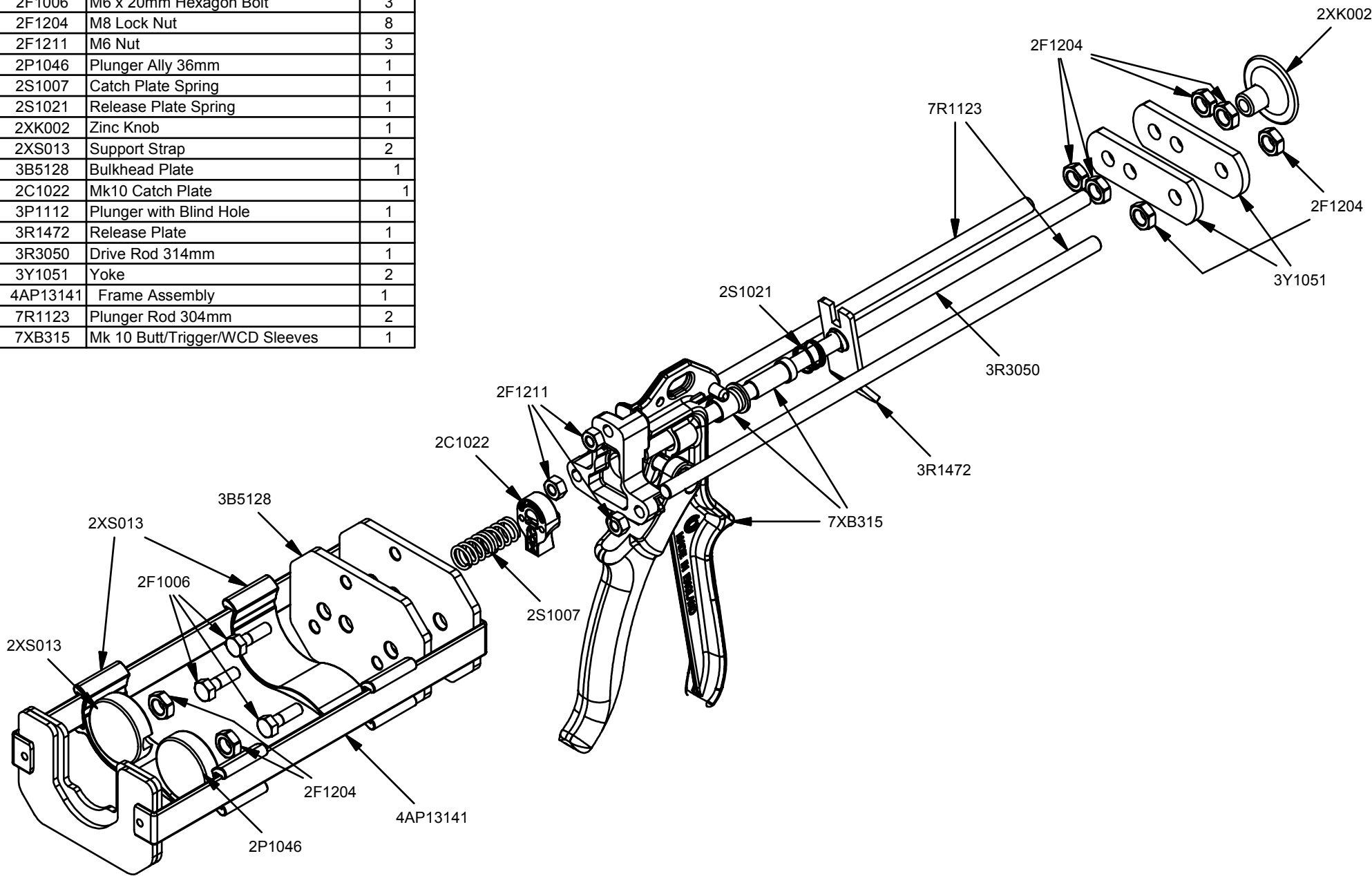


Parts List		
STOCK No	DESCRIPTION	QTY
2F1006	M6 x 20mm Hexagon Bolt	3
2F1204	M8 Lock Nut	8
2F1211	M6 Nut	3
2P1046	Plunger Ally 36mm	1
2S1007	Catch Plate Spring	1
2S1021	Release Plate Spring	1
2XK002	Zinc Knob	1
2XS013	Support Strap	2
3B5128	Bulkhead Plate	1
2C1022	Mk10 Catch Plate	1
3P1112	Plunger with Blind Hole	1
3R1472	Release Plate	1
3R3050	Drive Rod 314mm	1
3Y1051	Yoke	2
4AP13141	Frame Assembly	1
7R1123	Plunger Rod 304mm	2
7XB315	Mk 10 Butt/Trigger/WCD Sleeves	1



M200X



REV	DATE
D	18/08/2003