



— Quality Sealant Applicators —

INSTRUCTIONS:
INCLUDING CARE AND USE FOR DUAL MANUAL APPLICATORS

DISTRIBUTED BY:
COX NORTH AMERICA, INC.
8181 COLEMAN ROAD
HASLETT MI 48840
800-822-8114
517-339-3330
FAX: 517-339-3806
www.cox-applicators.com
e-mail: service@cox-applicators.com

For all service, parts and warranty repairs call **800-822-8114**

MANUFACTURED BY:
PC COX (NEWBURY) LIMITED
ENGLAND



OPERATING INSTRUCTIONS / MANUAL APPLICATORS

CARTRIDGE LOADING

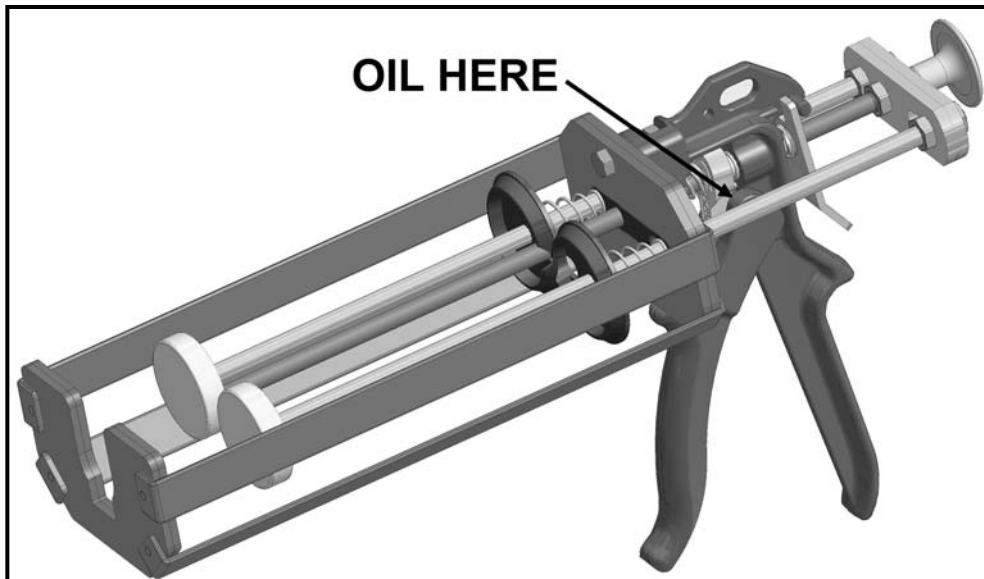
Depress the release plate and fully retract the rods
Fit back of cartridge on black plastic locating discs and push firmly.
Locate the front end of the cartridge in the gun.

DISPENSING

Always use full trigger pulls.
To stop any product flow on, depress the release plate when dispensing is finished.

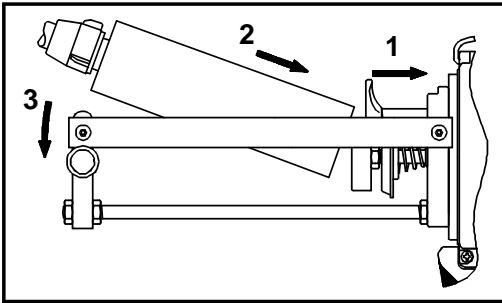
MAINTENANCE

To ensure good performance, the fulcrum pins in the handle should be lubricated with WD40 (or equivalent) after every 10 cartridges.
Always wipe off any adhesive using the manufactures recommended solvent before it has time to cure.



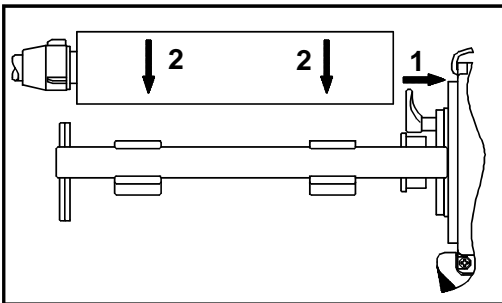
CARTRIDGE LOADING

Two Component Applicators with cartridge locators



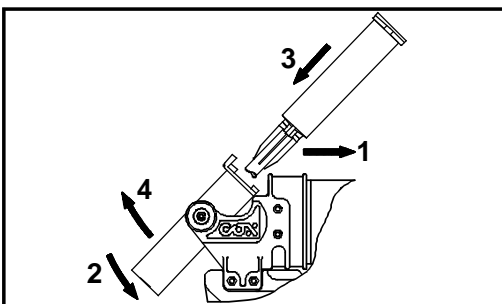
1. Depress the release plate and fully retract the rods.
2. Locate rear of cartridge over plungers and onto cartridge locators.
3. Push back firmly until the front of the cartridge can be located into the frame assembly.
4. Check that the cartridge is correctly located before operating the trigger.

Two Component Applicators with support straps



1. Depress the release plate and fully retract the rods.
2. Place cartridge into frame assembly making sure the front of the cartridge locates in the frame assembly slot.
3. Check that the cartridge is correctly located before operating the trigger.

Two Component Applicators with hinged cartridge sleeve



1. Depress the release plate and fully retract the rods.
2. Twist sleeve downwards
3. Load the cartridge in the sleeve.
4. Close sleeve fully.
5. Check that the cartridge is correctly located before operating the trigger.

