



— Quality Sealant Applicators —

**INSTRUCTIONS:**  
INCLUDING CARE AND USE FOR PNEUMATIC APPLICATORS

DISTRIBUTED BY:  
COX NORTH AMERICA, INC.  
8181 COLEMAN ROAD  
HASLETT MI 48840  
**800-822-8114**  
517-339-3330  
FAX: 517-339-3806  
[www.cox-applicators.com](http://www.cox-applicators.com)  
e-mail: [service@cox-applicators.com](mailto:service@cox-applicators.com)

For all service, parts and warranty repairs call **800-822-8114**

MANUFACTURED BY:  
PC COX (NEWBURY) LIMITED  
ENGLAND



# PNEUMATIC TWO COMPONENT SEALANT AND ADHESIVE APPLICATORS

## OPERATING INSTRUCTIONS

### SAFETY

This applicator is a quality product for the professional user; it is designed for high duty cycles over long operating periods. As compressed air is used as the power source, operator fatigue is minimal, but it must be remembered that compressed air can be dangerous when used incorrectly. The user should take time to read and understand these operating instructions fully.

### ALWAYS

- USE PROTECTIVE EYE & EAR EQUIPMENT WHEN OPERATING.
- DISCONNECT THE AIR SUPPLY BEFORE STARTING ANY MAINTENANCE / CLEANING TASKS.

### NEVER

- CONNECT THE APPLICATOR TO AN AIR SUPPLY WHICH CAN EXCEED 145 P.S.I (10 BAR)
- IMMERSE THE GUN IN SOLVENT.
- OPERATE THE GUN WITH LOOSE, BROKEN OR MISSING PARTS.
- CARRY THE GUN BY THE AIR PIPE.
- USE DAMAGED CARTRIDGES OR THE WRONG TYPE OF CARTRIDGE IN THE APPLICATOR.

### CONNECTION

Check the supply pressure. For optimum performance the supply pressure must be greater than 100 P.S.I (6.8 bar) and less than 145 P.S.I. (10 bar). The applicator will work at lower supply pressures, but flow rates could be reduced and may vary. Connect the applicator to a suitable compressed air source using the supplied fitting, or with a suitable fitting. All applicators are fitted with a male ¼" BSP thread.

### OPERATION / CONTROLS

#### A INTERNAL PRESSURE REGULATOR

The internal pressure regulator controls the sealant flow rate and ensures a stable flow of sealant is maintained. To increase the flow of sealant, turn the knob in a clockwise (+) direction. To decrease the flow, turn the knob in a counter clockwise (-) direction.

#### B TRIGGER

By pulling the trigger, a cushion of compressed air is built up inside the applicator, which initiates the flow of sealant. On releasing the trigger, the sealant flow ceases as the compressed air escapes rapidly by a quick exhaust valve at the rear of the gun.

#### C PLUNGER RETURN BUTTON (Where fitted)

Press and hold the plunger return button (C), then pull the trigger (B). This will pull back the plunger rods automatically ready for the next cartridge. If the applicator is not fitted with the air return button, manually pull back the plungers using the indicator knob (D).

#### D INDICATOR / RETURN KNOB

This gives a visual indication of how much material is remaining in the cartridge during use. For guns not fitted with air return, the return knob is used to manually pull the plungers back.

### MAINTENANCE

**DAILY:** Wipe the applicator using the adhesive manufacturers recommended solvent before it has time to set. Special care should be taken to make sure no residue is left on the rods.

**WEEKLY:** Check the plungers and all external bolts / screws are tight. Tighten if found to be loose.

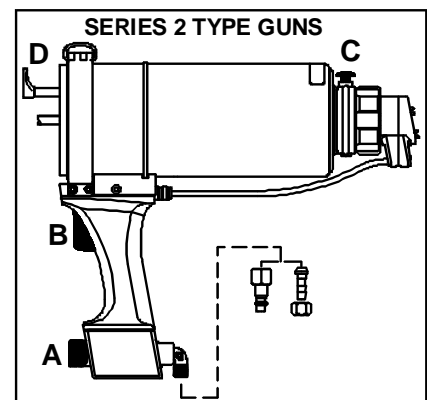
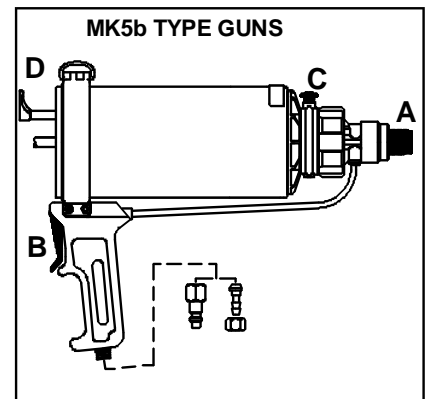
**MONTHLY:** Lubrication of internal pistons and seals: Place 3 drops of oil on the air inlet at the bottom of the butt. Re-couple the air line and when next operated the compressed air will blow the oil into the workings of the gun.

### NOTE

Tested in accordance with European Machinery Regulations (1.1.95)

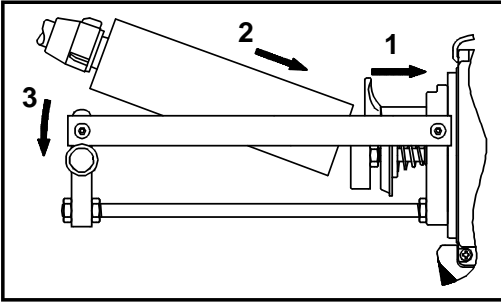
Mk5b pneumatic applicator has A-weighted sound pressure levels **in excess** of 70dB (A).

Series 2 pneumatic applicator has A-weighted sound pressure levels **less than** 70dB (A).



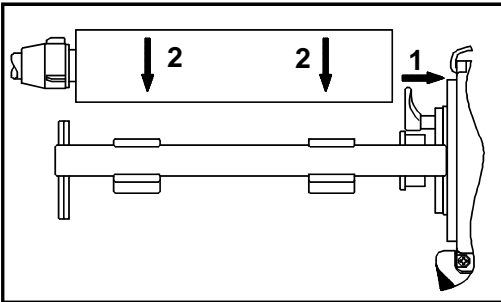
# CARTRIDGE LOADING

## Two Component Applicators with cartridge locators



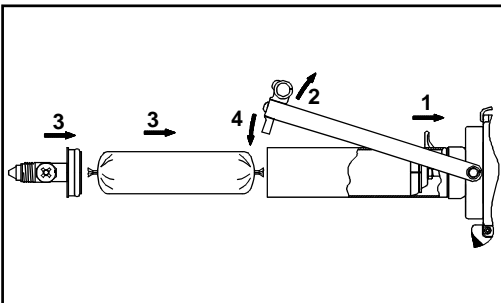
1. Ensure rods are fully retracted towards the barrel.
2. Locate rear of cartridge over plungers and onto cartridge locators.
3. Push back firmly until the front of the cartridge can be located into the frame assembly.
4. Check that the cartridge is correctly located before operating the trigger.

## Two Component Applicators with support straps



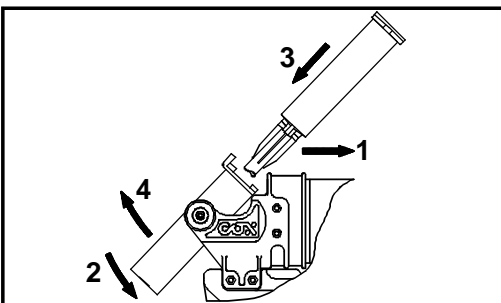
1. Ensure rods are fully retracted towards the barrel.
2. Place cartridge into frame assembly making sure the front of the cartridge locates in the frame assembly slot.
3. Check that the cartridge is correctly located before operating the trigger.

## Two Component Applicators with hinged frame assembly



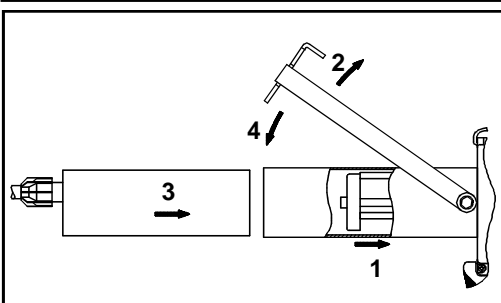
1. Ensure rods are fully retracted towards the barrel.
2. Swing frame assembly open.
3. Load cartridge / sachet into sleeve and fit manifold (if required).
4. Close frame assembly.
5. Check that the cartridge / sachet is correctly located before operating the trigger.

## Two Component Applicators with hinged cartridge sleeve



1. Manually retract plungers using the indicator rod (not shown).
2. Twist sleeve downwards
3. Load the cartridge in the sleeve.
4. Close sleeve fully.
5. Check that the cartridge is correctly located before operating the trigger.

## Co-Axial Applicators with hinged frame assembly

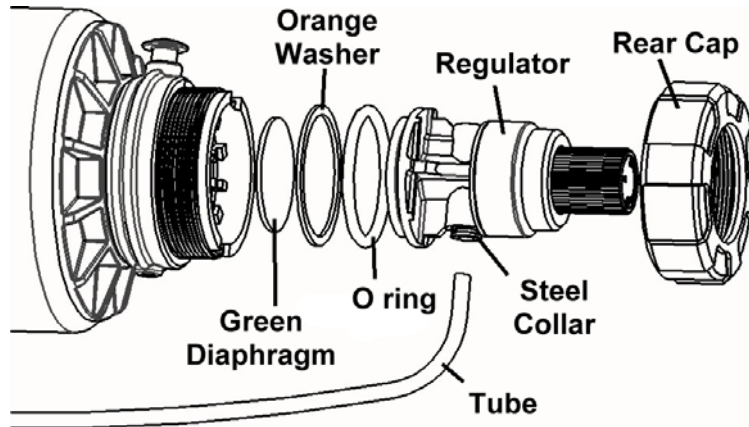


1. If gun is fitted with air return, fully retract plungers.
2. Swing the frame assembly open.
3. Load the cartridge in the sleeve. NOTE – This will push back the plungers on guns not fitted with air return.
4. Close frame assembly.
5. Check that the cartridge is correctly located before operating the trigger.



## PRESSURE REGULATOR

During normal use, the regulator requires no maintenance and should not be taken apart. If air starts to leak from the rear of the gun, first try tightening the back cap. If this does not work, then the regulator has cracked due to the gun being dropped or similar. Order a replacement regulator and fit using the procedure below.



- 1) Remove the airgun tube from the regulator by firmly pressing in the steel collar and then pulling the connecting tube out. A flat screwdriver will assist in this operation.
- 2) Unscrew the rear cap fully and pull the regulator out of the body.
- 3) Remove the O'ring and orange plastic washer from the dump valve body. (The O'ring might be on the regulator body and there might not be an orange washer as this is a design improvement carried out in 2002).
- 4) Check the green diaphragm is fitted and located centrally before starting to re-assemble. Try to keep the gun positioned vertical as this stops the diaphragm moving during the assembly process.
- 5) Fit the orange washer in to the dump valve body, followed by the O'ring.
- 6) Fit replacement regulator in to the dump valve body. Fit and loosely tighten the back cap. At this point, orientate the regulator so that you will be able to fit the connecting tube.
- 7) Fully tighten the back cap and push in the tube.
- 8) Test gun, making sure that air escapes quickly when the trigger is released. If the air only escapes slowly, then the diaphragm is "pinched" in the body. Repeat the above procedure and make sure the diaphragm is located centrally.