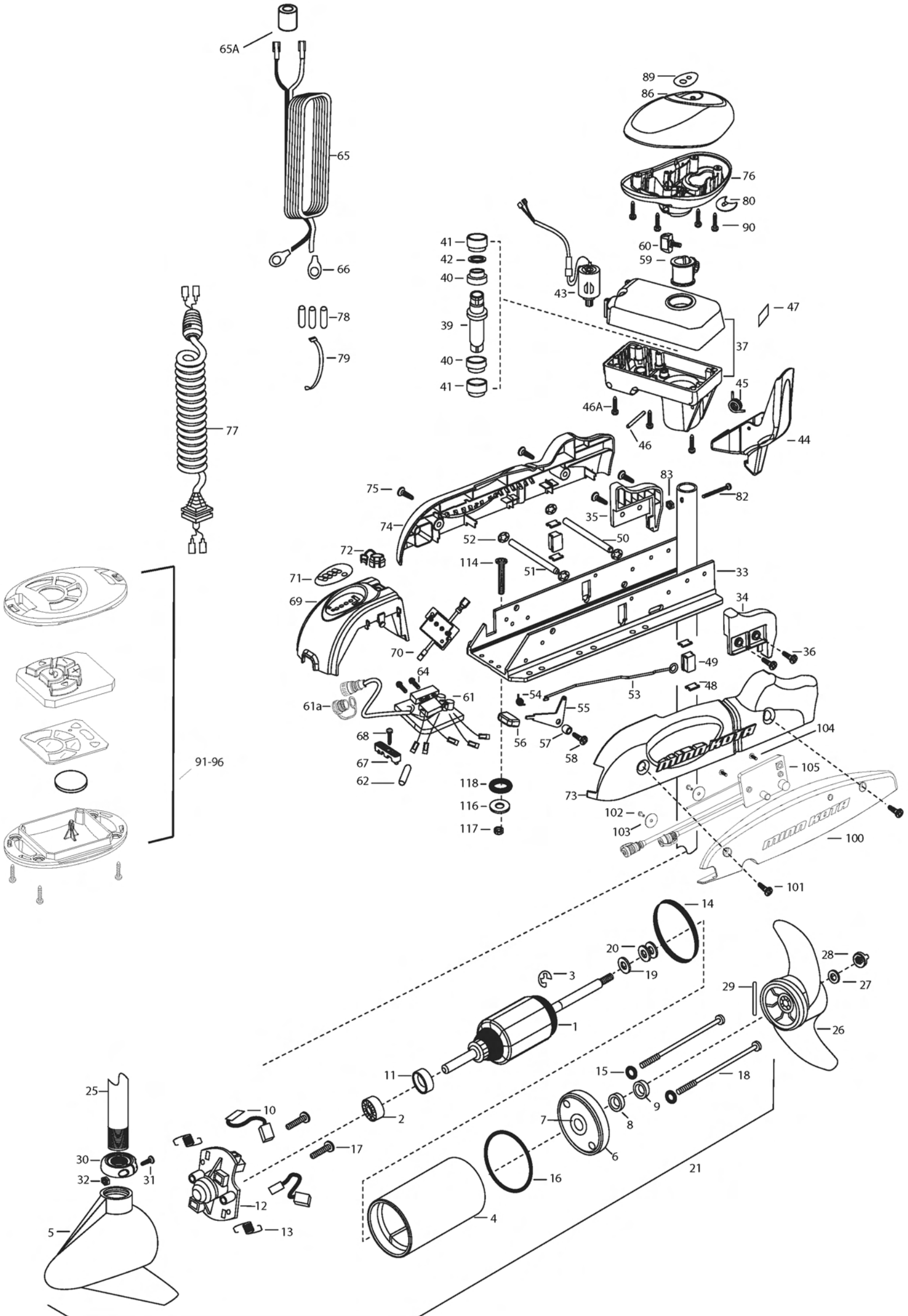


**RT 55 / PD**  
**55 LBS THRUST**  
**12 VOLT 50 AMPS**  
**48" SHAFT**

for use with "K" serial numbers

2-year warranty from the date of purchase



|     |           |   |     |         |                                  |      |         |                                  |
|-----|-----------|---|-----|---------|----------------------------------|------|---------|----------------------------------|
| 1   | 2-100-117 | ARMATURE ASSEMBLY 12V VARS TXT            | *42 | 2304603 | O-RING                           | 79   | 2256300 | TIE WRAP-5" BLACK                |
| 2   | 140-010   | BALL BEARING                              | 43  | 2307050 | MOTOR- DRIVE HOUSING HIGH SPD    | 80   | 2224703 | INSERT- PLUG WHITE               |
| 3   | 788-015   | RETAINING RING                            | 44  | 2307201 | LATCH HANDLE PD/AP               | 82   | 2332102 | SCREW-10-24 X 1-3/4              |
| 4   | 2-200-301 | HOUSING ASSEMBLY CENTER 3.62 TXT          | 45  | 2302750 | SPRING- LATCH TORSION PD/AP      | 83   | 2333101 | NUT-HEX 10-24 NYLOC              |
| 5   | 421-336   | HOUSING -BRUSH END 3.62 TXT               | 46  | 2302628 | PIN- ROLL 3/16X2 SS              | 86   | 2300243 | CONTROL BOX COVER- RIPTIDE WHITE |
| 6   | 2-400-337 | PLAIN END HOUSING ASSEMBLY 3.625          | 46A | 2303405 | SCREW - DRIVE HOUSING [6 EA]     | 89   | 2315689 | DECAL- COVER 55pd                |
| 7   | 144-049   | BEARING - FLANGE (SERVICE ONLY)           | 47  | 2305564 | DECAL-STOW/DEPLOY                | 90   | 2372100 | SCREW-8-18 X 5/8 THD CUT [4.EA]  |
| 8   | 880-003   | SEAL                                      | 48  | 2305110 | PAD-PIVOT SUPT [4.EA]            |      |         |                                  |
| 9   | 880-006   | SEAL WITH SHIELD                          | 49  | 2305103 | PIVOT PAD- NEW MTR'L [2.EA]      | ■    | 2994020 | COPILOT TRANSMITTER              |
| 10  | 188-036   | BRUSH ASSEMBLY [2.EA]                     | 50  | 2330510 | PIN-LATCH PD BASE SS             | 91   |         | CASE, COVER, TRANSMITTER         |
| 11  | 725-050   | BRUSH RETENTION- PAPER TUBE               | 51  | 2330520 | PIN-PIVOT PD BASE SS             | 92   |         | KEYPAD                           |
| 12  | 738-036   | BRUSH PLATE W/HOLDER                      | 52  | 2333100 | NUT-SPEED [4.EA]                 | 93   |         | CIRCUIT BOARD, TRANSMITTER       |
| 13  | 975-040   | SPRING - TORSION [2.EA]                   | 53  | 2303612 | ROD-RELEASE RT/AP S              | 94   |         | BATTERY, COIN                    |
| 14  | 337-036   | GASKET                                    | 54  | 2322700 | SPRING-RELEASE LEVER             | 95   |         | CASE, BOTTOM, TRANSMITTER        |
| 15  | 701-008   | O-RING, THRU-BOLT [2.EA]                  | 55  | 2333705 | LEVER-RELEASE SS                 | 96   |         | SCREW, TRANSMITTER [4EA]         |
| 16  | 701-081   | O-RING                                    | 56  | 2300101 | RELEASE-KNOB                     | ■    | 2994089 | RECEIVER ASSEMBLY V2, COPILOT    |
| 17  | 830-007   | SCREW-8-32 [2.EA]                         | 57  | 2301700 | SPACER-RELEASE LEVER             | 100  | 2372511 | CASE, RECEIVER WHT               |
| 18  | 830-042   | THRU-BOLT 10-32X8.83 [2.EA]               | 58  | 2332104 | SCREW-1/4-20 X 5/8 SS            | 101  | 2373442 | SCREW 1/4-20 X 1.75 SS [2EA]     |
| 19  | 990-067   | WASHER- STEEL THRUST                      | 59  | 2031522 | COLLAR- DRIVE (W/INSERT)         | 102  | 2373450 | SCREW #8 X 3/8 [2EA]             |
| 20  | 990-070   | WASHER - NYLATRON [2.EA]                  | 60  | 2011366 | SCREW-COLLAR/NEW KNOB SS         | 103  | 2371727 | WASHER [2EA]                     |
| 21  | 2097095   | MOTOR ASSEMBLY 12V 3.62 48"               | 60A | 2323104 | NUT                              | 104  | 2373418 | SCREW #8 X 5/8 SS                |
| 25  | 2032021   | TUBE-CARBON COMPOSITE WHT 48"             | 61  | 2304060 | CONTROL BOARD ASSEMBLY- 12V PD   | 105  | 2374089 | CIRCUIT BOARD V2, RECEIVER       |
| ■   | 1378131   | PROPELLER KIT                             | 61a | 2320208 | DUST PLUG                        | ■    | 2994864 | BAG ASSEMBLY- (BOLT,NUT,WASHERS) |
| 26  | 2091160   | PROPELLER W/WEDGE 2                       | 62  | 2355410 | SHRINK TUBE-3/8 ODX2             | *114 | 2263462 | BOLT-MOUNTING-1/4X2 W/STG [6.EA] |
| 27  | 2151726   | WASHER-5/16 SS                            | 64  | 2303434 | SCREW-8-32 X 5/8 [3.EA]          | *116 | 2261713 | WASHER-1/4 [6.EA]                |
| 28  | 2198400   | ANODE- ZINC 3.25/3.625 LWR U              | 65  | 2090651 | LEADWIRE IOGA 44"                | *117 | 2263103 | NUT NYLOK 1/4-20 MTG [6.EA]      |
| 29  | 2092600   | PIN-DRIVE                                 | 65A | 2307310 | BEAD - FERRITE (CE MODELS ONLY)  | *118 | 2301720 | WASHER-MOUNTING RUBBER [6.EA]    |
| 30  | 2301545   | COLLAR- LATCH PD/AP                       | 66  | 2020700 | TERMINAL RING [2.EA]             |      |         |                                  |
| 31  | 2303434   | SCREW- 8-32X5/8 MACH PHCR                 | 67  | 2321310 | STRAIN RELIEF- BRACKET PD/AP     | ■    | 2888460 | SEAL & ORING KIT                 |
| 32  | 2303112   | NUT 8-32 NYLOC SS                         | 68  | 2323405 | SCREW-1/4-20 X 5/8 SS            |      |         |                                  |
| 33  | 2301937   | EXTRUSION- BASE MACHINED                  | 69  | 2306556 | HOUSING- CENTER PD/AP WHIT       |      |         |                                  |
| 34  | 2303932   | MOTOR REST- RIGHT 3-5/8                   | 70  | 2074080 | BATTERY GAUGE - 12 VOLT          |      |         |                                  |
| 35  | 2303937   | MOTOR REST- LEFT 3-5/8                    | 71  | 2316606 | DECAL- BATT GAUGE H RT AP        |      |         |                                  |
| 36  | 2332104   | SCREW 1/4-20X5/8 SS SELF TAP [4.EA]       | 72  | 2302935 | STRAIN RELIEF-DR. HOUSING        |      |         |                                  |
| 37  | 2771827   | DRIVE HOUSING / LATCH HANDLE WHITE        | 73  | 2303944 | SIDEPLATE (RIGHT) WHITE          |      |         |                                  |
| ■   | 2882011   | BUSHING/ OUTSHAFT KIT<br>(INCLUDES 39-42) | 74  | 2303949 | SIDEPLATE(LEFT) WHITE            |      |         |                                  |
|     |           |   | 75  | 2332104 | SCREW-1/4-20 X 5/8 SS            |      |         |                                  |
| *39 | 2302010   | DRIVE HOUSING OUTPUT SHAFT                | 76  | 2302516 | CONTROL BOX WHT                  |      |         |                                  |
| *40 | 2307304   | BUSHING- INNER [2.EA]                     | 77  | 2991280 | COIL CORD WSTRAIN RELIEF 48, 54" |      |         |                                  |
| *41 | 2307305   | BUSHING- OUTER [2.EA]                     | 78  | 2065400 | WIRE INSULATOR-LGE 1-3/4 [3.EA]  |      |         |                                  |

\* This item is part of an assembly. This item cannot be sold separately due to machining and /or assembly that is required.

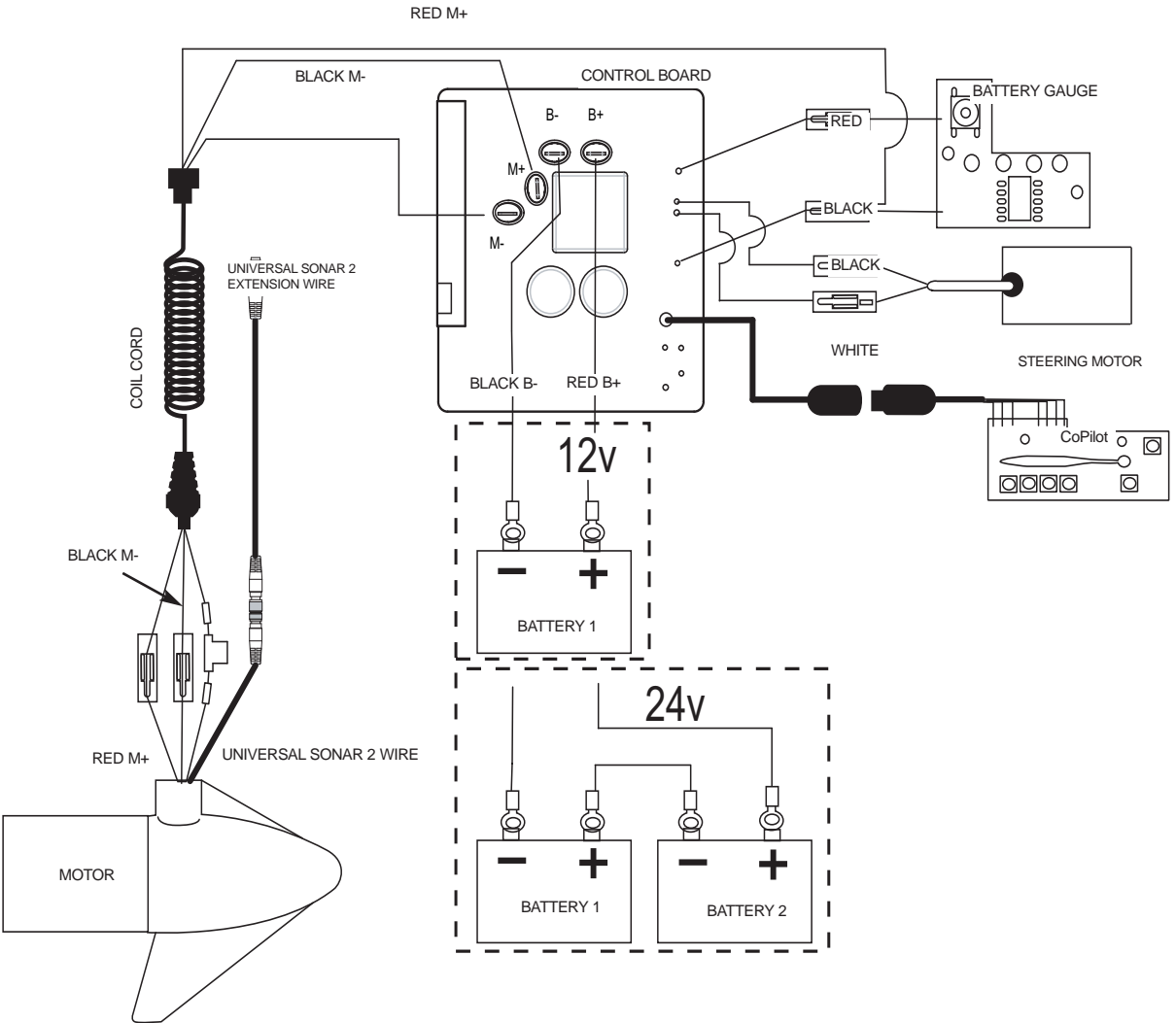
P/N 2314951

REV. Q

ECN 31554

8-09

Riptide 55 is 12-volt only!



**NOTE:**  
1. BATTERY 2 AND CONNECTING WIRE USED FOR 24V APPLICATIONS ONLY  
2. UNIVERSAL SONAR 2 WIRES APPLICABLE TO US2 MOTORS ONLY