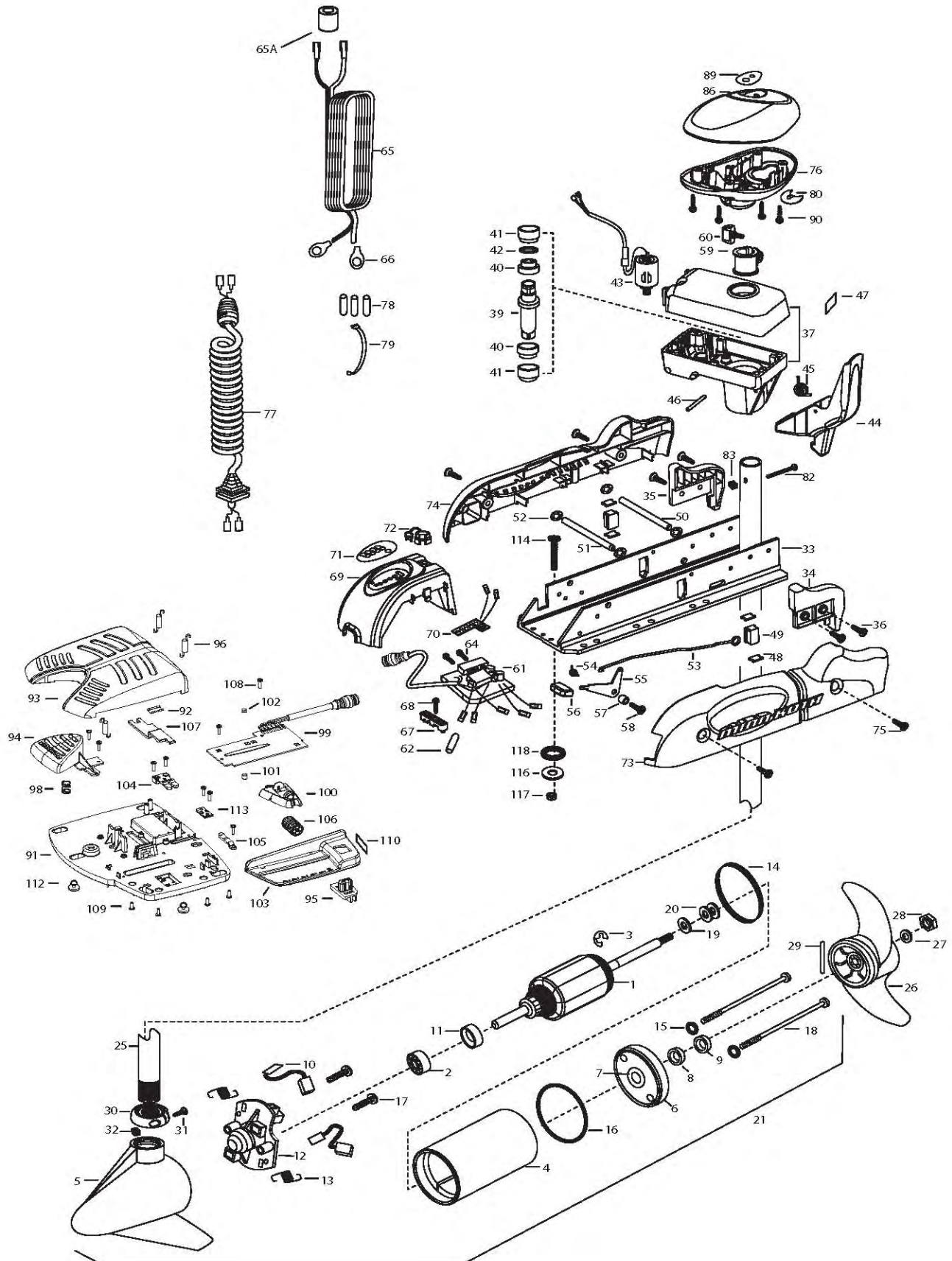


**45PD V2**  
**45 LBS THRUST**  
**12 VOLT 42 AMPS**  
**54" SHAFT**

**for use with "AH" serial numbers**  
**3-year warranty from the date of purchase**



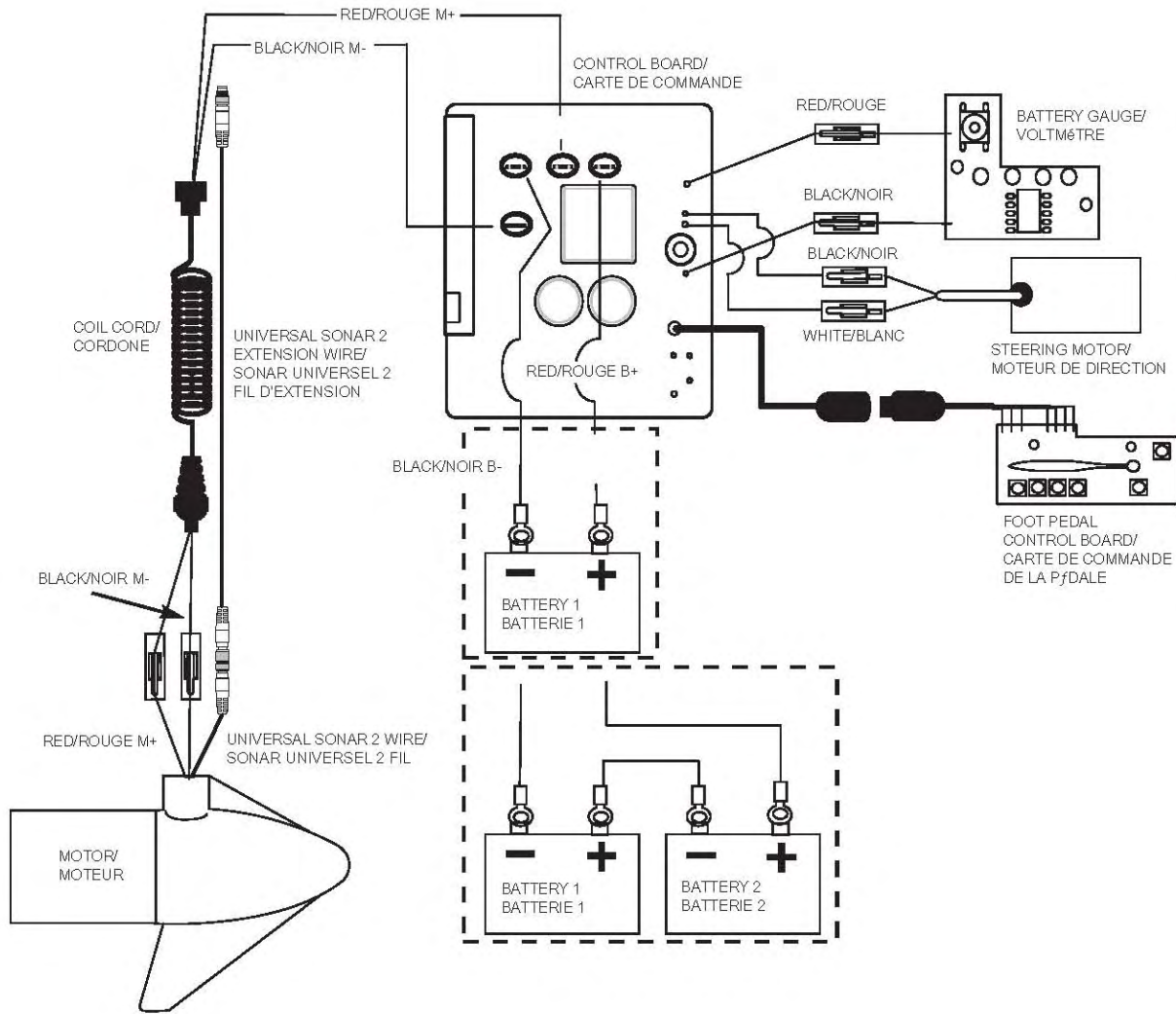
|     |           |   |     |                    |                                  |         |         |                                  |                                |
|-----|-----------|---|-----|--------------------|----------------------------------|---------|---------|----------------------------------|--------------------------------|
| 1   | 2-100-116 | ARMATURE ASSEMBLY 12V VARS TXT            | 43  | 2307050            | MOTOR- DRIVE HOUSING HIGH SPD    |         |         |                                  |                                |
| 2   | 140-010   | BALL BEARING                              | 44  | 2307201            | LATCH HANDLE PD/AP               | 82      | 2033400 | SCREW-10-24 X 1-3/4 PPH Z/P      |                                |
| 3   | 788-015   | RETAINING RING                            | 45  | 2302750            | SPRING- LATCH TORSION PD/AP      | 83      | 2013110 | NUT-HEX 10-24 ZCP                |                                |
| 4   | 2-200-101 | HOUSING ASSEMBLY CENTER 3.625 TXT         | 46  | 2302627            | PIN- ROLL ZINC                   | 86      | 2300237 | CONTROL BOX COVER- POWERDRIVE    |                                |
| 5   | 421-065   | HOUSING BRUSH END 3.625 TXT               | 47  | 2305564            | DECAL-STOW/DEPLOY                | 89      | 2315692 | DECAL- COVER 45PD                |                                |
| 6   | 2-400-101 | PLAIN END HOUSING ASSEMBLY 3.625          | 48  | 2305110            | PAD-PIVOT SUPT [4.EA]            | 90      | 2012100 | SCREW-8-18 X 5/8 THD CUT [4.EA]  |                                |
| 7   | 144-049   | BEARING - FLANGE (SERVICE ONLY)           | 49  | 2305103            | PIVOT PAD- NEW MTR'L [2.EA]      | ■       | 2994725 | FOOT PEDAL ASSEMBLY              |                                |
| 8   | 880-003   | SEAL                                      | 50  | 2300500            | PIN-LATCH                        | 91      | 2304505 | FOOT PEDAL BASE                  |                                |
| 9   | 880-006   | SEAL WITH SHIELD                          | 51  | 2300510            | PIN-PIVOT                        | 92      | 2308501 | WEAR PLATE FOOT PDL              |                                |
| 10  | 188-036   | BRUSH ASSEMBLY [2.EA]                     | 52  | 2013100            | NUT-SPEED [4.EA]                 | 93      | 2300255 | FOOT PEDAL, CORDED UPPER         |                                |
| 12  | 738-036   | BRUSH PLATE W/HOLDER                      | 53  | 2303612            | ROD-RELEASE RT/AP S              | 94      | 2303723 | BUTTON, MOMENTARY                |                                |
| 13  | 975-040   | SPRING - COMPRESSION [2.EA]               | 54  | 2302700            | SPRING-RELEASE LEVER             | 95      | 2303722 | BUTTON, MOM/CON                  |                                |
| 14  | 337-036   | GASKET                                    | 55  | 2303710            | LEVER-RELEASE                    | 96      | 2302730 | SPRING-LONG-UPPER PEDAL [3.EA]   |                                |
| 15  | 701-008   | O-RING, THRU-BOLT [2.EA]                  | 56  | 2300101            | RELEASE-KNOB                     | 98      | 2302732 | SPRING-LOWER PEDAL               |                                |
| 16  | 701-081   | O-RING                                    | 57  | 2301700            | SPACER-RELEASE LEVER             | 99      | 2304052 | CONTROL BOARD ASSEMBLY-FT PDL    |                                |
| 17  | 830-007   | SCREW-8-32 [2.EA]                         | 58  | 2303430            | SCREW-1/4-20 X 5/8               | 100     | 2308620 | SLIDER, SPEED                    |                                |
| 18  | 830-042   | THRU BOLT 8-32 X 8.96 [2. EA]             | 59  | 2031522            | COLLAR- DRIVE (W/INSERT)         | 101     | 2308409 | MAGNET, 1/4 X 1/4                |                                |
| 19  | 990-067   | WASHER- STEEL THRUST                      | 60  | 2011365            | SCREW-COLLAR/NEW KNOB            | 102     | 2308408 | MAGNET, 1/4 X 1/8                |                                |
| 20  | 990-070   | WASHER - NYLATRON [2.EA]                  | 61  | 2304046            | CONTROL BOARD ASSEMBLY- 12V PD   | 103     | 2300252 | COVER, SPEED SELECTOR            |                                |
| 21  | 2097063   | MOTOR ASSEMBLY 12V 3.625 48"              | 62  | 2355410            | SHRINK TUBE-3/8 ODX2             | 104     | 2308606 | SWITCH, DOUBLE FINGER            |                                |
| 25  | 2032076   | TUBE-CARBON COMPOSITE 54"                 | 64  | 2332100            | SCREW-8-32 X 3/8 [2.EA]          | 105     | 2308605 | SWITCH, SINGLE FINGER            |                                |
| ■   | 1378131   | PROPELLER KIT                             | 65  | 2266730            | LEADWIRE IOGA 44" w/ plug        | 106     | 2307900 | WHEEL, SPEED                     |                                |
| 26  | 2061160   | PROPELLER W/WEDGE                         | 65A | 2307310            | BEAD - FERRITE (CE MODELS ONLY)  | 107     | 2308625 | SLIDER, STEERING                 |                                |
| 27  | 2151726   | WASHER-5/16 SS                            | 66  | 2020700            | TERMINAL RING [2.EA]             | 108     | 2302100 | SCREW-6-20 X 1/2 [9.EA]          |                                |
| 28  | 2053101   | NUT-PROP NYLOC                            | 67  | 2321310            | STRAIN RELIEF- BRACKET PD/AP     | 109     | 2332103 | SCREW-6.20 X 3/8 [4.EA]          |                                |
| 29  | 2092600   | PIN-DRIVE                                 | 68  | <del>2303405</del> | SCREW-1/4-20 X 5/8               | 2323405 | 110     | 2316600                          | DECAL, ON/OFF SWITCH           |
| 30  | 2301545   | COLLAR- LATCH PD/AP                       | 69  | 2306555            | HOUSING- CENTER PD/AP            |         | 112     | 2994859                          | BAG ASSEMBLY- 4 RUBBER BUMPERS |
| 31  | 2303434   | SCREW- 8-32X5/8 MACH PHCR                 | 70  | 2074070            | BATTERY GAUGE - 12 VOLT          |         | 113     | 2302907                          | STRN RLF PD FP                 |
| 32  | 2303112   | NUT 8-32 NYLOC SS                         | 71  | 2316605            | DECAL, BATTERY GAUGE             | ■       | 2994864 | BAG ASSEMBLY- (BOLT,NUT,WASHERS) |                                |
| 33  | 2301934   | EXTRUSION- BASE MACHINED                  | 72  | 2302935            | STRAIN RELIEF-DR. HOUSING        | *114    | 2263462 | BOLT-MOUNTING-1/4X2 W/STG [6.EA] |                                |
| 34  | 2303932   | MOTOR REST- RIGHT 3-5/8                   | 73  | 2303960            | SIDEPLATE (RIGHT)PD MK           | *116    | 2261713 | WASHER-1/4 [6.EA]                |                                |
| 35  | 2303937   | MOTOR REST- LEFT 3-5/8                    | 74  | 2303965            | SIDEPLATE(LEFT)PD MK             | *117    | 2263103 | NUT NYLOK 1/4-20 MTG [6.EA]      |                                |
| 36  | 2303430   | SCREW 1/4-20X5/8 SELF TAP [4.EA]          | 75  | 2303430            | SCREW-1/4-20 X 5/8- [4.EA]       | *118    | 2301720 | WASHER-MOUNTING RUBBER [6.EA]    |                                |
| 37  | 2771826   | DRIVE HOUSING / LATCH HANDLE ASSY         | 76  | 2302515            | CONTROL BOX PD/AP                |         |         |                                  |                                |
| ■   | 2882011   | BUSHING/ OUTSHAFT KIT<br>(INCLUDES 39-42) | 77  | 2991280            | COIL CORD WSTRAIN RELIEF 48, 54" |         |         | [LEADWIRE EXTENSIONS]            |                                |
|     |           |   |     | 2991282            | COIL CORD WSTRAIN RELIEF 60"     |         | 2030710 | CONNECTOR BUT [2 EA.]            |                                |
| *39 | 2302010   | DRIVE HOUSING OUTPUT SHAFT                | 78  | 2065400            | WIRE INSULATOR-LGE 1-3/4 [3.EA]  |         | 2030317 | WIRE EXTENSION 18" RED           |                                |
| *40 | 2307304   | BUSHING- INNER [2.EA]                     | 79  | 2256300            | TIE WRAP-5" BLACK                |         | 2030316 | WIRE EXTENSION 18" BLACK         |                                |
| *41 | 2307305   | BUSHING- OUTER [2.EA]                     | 80  | 2224702            | INSERT- PLUG                     |         | 2375400 | SHRINK TUBE                      |                                |
| *42 | 2304603   | O-RING                                    |     | 2224700            | INSERT- PLUG US2                 |         |         |                                  |                                |

Seal & O-Ring Kit p/n 2888460 \* This item is part of an assembly. This item cannot be sold separately due to machining and /or assembly that is required.

P/N 2314960

REV. B 10-06

45PD is 12-volt!



**NOTE:**  
 1. BATTERY 2 AND CONNECTING WIRE USED FOR 24V APPLICATIONS ONLY  
 2. UNIVERSAL SONAR 2 WIRES APPLICABLE TO US2 MOTORS ONLY  
**NOTEZ :**  
 1. LA BATTERIE 2 DE CONNEXION LE FIL UTILISÉ POUR 24V LES APPLICATIONS SEULEMENT  
 2. LE SONAR UNIVERSEL 2 FILS APPLICABLES AUX MOTEURS US2 SEULEMENT