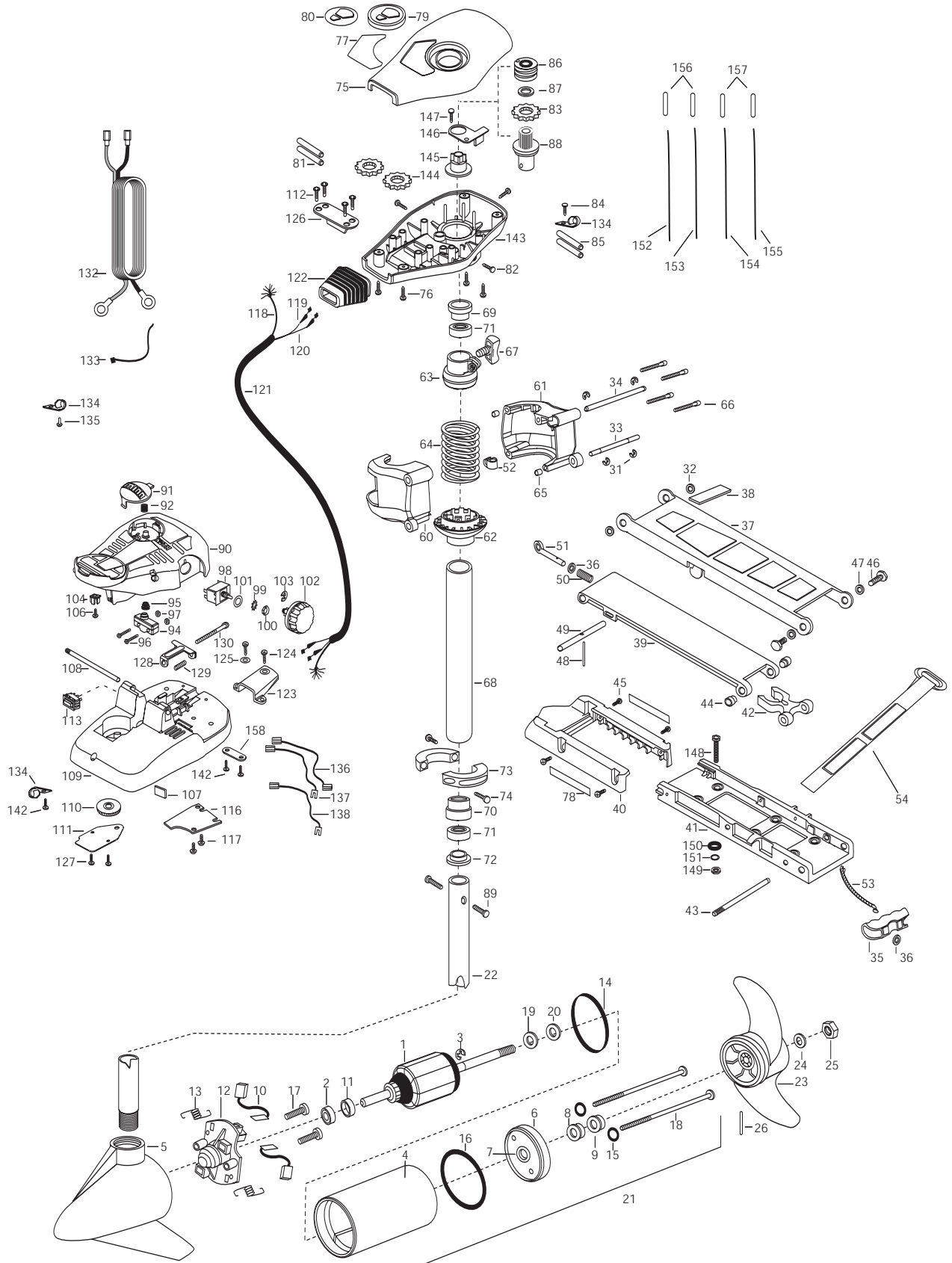


70 AT
70 lbs Thrust 24 Volt 42 Amps
42", 45", 48", 52" Shaft

for use with "WWAG" serial numbers
2-year warranty from the date of purchase



| | | | | | | | | |
|----|-----------|--------------------------------------|-----|---------|-----------------------------------|------|---------|---------------------------------|
| 1 | 2-100-119 | ARMATURE ASSEMBLY 24V 3.625 | 51 | 2153600 | EYE SHAFT-CAD.PLATE | 103 | 2263000 | E-RING TRU-ARC |
| 2 | 140-010 | BEARING-BALL | 52 | 2262310 | GUIDE-ROPE | 104 | 2260730 | CONNECTOR 1/4 MALE TAB |
| 3 | 788-015 | RETAINING RING | 53 | 2251601 | ROPE- 39" | 106 | 2332103 | SCREW-6-20 X 3/8 THD SS |
| 4 | 431-005 | CENTER HOUSING ASSEMBLY | 54 | 2263805 | VELCRO STRAP | 107 | 2266413 | TENSION SCREW PLATE- FT PED |
| 5 | 2-300-039 | BRUSH END HOUSING 3.625 SPD CO | ■ | 2991944 | BOWGUARD ASSEMBLY FW 360 | 108 | 2260511 | PIN- PIVOT A/T FT PDL |
| 6 | 2-400-101 | PLAIN END HOUSINGASSEMBLY 3.625 | 60 | 2261981 | BRACKET BASE-LEFT | 109 | 2992104 | FT PED BASE/PIN ASSEMBLY |
| 7 | 144-049 | BEARING- FLANGE SERVICE ONLY | 61 | 2261986 | BRACKET BASE-RIGHT | 110 | 2262301 | PULLEY FOOT PEDAL |
| 8 | **880-003 | SEAL | 62 | 2261535 | SPRING SLEEVE, LOWER | 111 | 2266401 | COVER-PULLEY STAMPING |
| 9 | **880-006 | SEAL-W/SHIELD | 63 | 2261525 | SPRING-SLEEVE UPPER | 112 | 2223430 | SCREW #8X3/4 PPH TYPE 25 [4.EA] |
| 10 | 188-036 | BRUSH ASSEMBLY [2.EA] | 64 | 2262712 | SPRING, BOWGUARD, NIK PL | 113 | 2254031 | SWITCH-MOM/OFF/COM |
| 11 | 725-050 | TUBE- BRUSH RETENTION | 65 | 2267300 | BUSHING-DOWEL [2.EA] | 116 | 2266412 | SWITCH PLATE, FT PEDAL |
| 12 | 738-036 | BRUSH PLATE WITH HOLDER | 66 | 2263470 | SCREW-1/4-20 X 1-3/4 SS [4.EA] | 117 | 2332103 | SCREW-6-20 X 3/8 THD SS [2.EA] |
| 13 | 975-040 | SPRING- TORSION [2.EA] | 67 | 2011365 | SCREW-COLLAR/NEW KNOB | 118 | 2261208 | WIRE HARNESS, A/T FT. PED |
| 14 | **337-036 | GASKET | ■ | 2992015 | TUBE W/BEARING RACE ASSEMBLY 18" | 119 | 2267505 | CABLE ASSEMBLY-RIGHT 5' |
| 15 | **701-008 | O-RING THRU BOLT [2.EA] | | 2992012 | TUBE W/BEARING RACE ASSEMBLY 21" | 120 | 2267515 | CABLE ASSEMBLY-LEFT 5' |
| 16 | **701-081 | O-RING | | 2992016 | TUBE W/BEARING RACE ASSEMBLY 24" | 121 | 2265430 | CABLE JACKET 5" |
| 17 | 830-007 | #8-32 SCREW [2.EA] | 68 | 2272066 | TUBE OUTER-18" 4 HOLES | 122 | 2265110 | BOOT-CONTROL BOX |
| 18 | 830-008 | THRU BOLT 10-32X9.205 [2.EA] | | 2272069 | TUBE OUTER-21" 4 HOLES | 123 | 2265115 | BOOT-FOOT PEDAL BASE |
| 19 | 990-067 | WASHER- STEEL THRUST | | 2272067 | TUBE OUTER-24" 4 HOLES | 124 | 2372100 | SCREW-8-18 X 5/8 THD [2.EA] |
| 20 | 990-070 | WASHER-NYLATRON [2.EA] | 69 | 2266260 | BEARING RACE | 125 | 2261714 | WASHER-MAXXUM FT PDL [2.EA] |
| 21 | 2096034 | MOTOR ASSEMBLY 24V 3.625 5SPC FW 42" | 70 | 2266220 | BEARING RACE-STEEL | 126 | 2261901 | BRACKET-CONDUIT AT/MAX |
| | 2096039 | MOTOR ASSEMBLY 24V 3.625 5SPD FW 52" | 71 | 2266000 | BEARING BALL-STEEL [2.EA] | 127 | 2301310 | SCREW-8-18 X 1/2 [2.EA] |
| 22 | 2032063 | TUBE- COMPW/CSK HOLE-42" | 72 | 2266115 | BEARING CONE | 128 | 2263210 | BRACKET-CONDUIT ADJUSTMENT |
| | 2032061 | TUBE-COMP W/CSK HOLE- 45" | 73 | 2261622 | COLLAR HALF-ZINC-2 PER | 129 | 2262720 | SPRING-CONDUIT ADJUSTMENT |
| | 2032064 | TUBE- COMP W/CSK HOLE-48" | 74 | 2263453 | SCREW-1/4-20 X 3/4 [2.EA] | 130 | 2263466 | SCREW-1/4-20 X 2 STL PPH |
| | 2032067 | TUBE- COMPW/CSK HOLE-52" | 75 | 2260284 | COVER- CONTROL BOX AT/FC BLK | 131 | 2335400 | SHRINK TUBE-1/2 OD X 2 |
| ■ | 1378131 | PROPELLER KIT | 76 | 2372100 | SCREW-8-18 X 5/8 THD SS [4.EA] | 132 | 2261235 | LEADWIRE |
| 23 | 2091160 | PROPELLER- W/WEDGE 2 | 77 | 2265661 | DECAL-COVER 70AT | 133 | 2256300 | TIE WRAP-5.5' BLACK |
| 24 | 2151726 | WASHER- 5/16 SS | 78 | 2265631 | DECAL- MOTOR REST [2.EA] | 134 | 2263201 | CLAMP WIRE HARNESS MICRO [3.EA] |
| 25 | 2053101 | NUT-PROP NYLOC MEDIUM | 79 | 2260150 | POINTER DISC TRNSLCNT RED | 135 | 2332103 | SCREW-6-20 X 3/8 THD SS |
| 26 | 2092600 | PIN-DRIVE 95-4HP'S | 80 | 2265800 | DECAL-INDICATOR | 136 | 2260301 | CONNECTING WIRE SWITCH |
| 31 | 2263010 | E-RING 3/8 DIA. SHAFT [4.EA] | 81 | 2375400 | SHRINK TUBE-1/4OD X 1-3/4 [2.EA] | 137 | 2260312 | WIRE,BLK W/WHT STRP 19 1/2" |
| 32 | 2293500 | BUSHING-SHOULDER UPPER ARM [2.EA] | 82 | 2053414 | SCREW-#8-32 X 1/2 TRI-LOBE [3.EA] | 138 | 2260322 | WIRE,BLK W/BLUE STRP-12" |
| 33 | 2260530 | HINGE PIN-LOWER SS | 83 | 2267800 | GEAR-INDICATOR | 142 | 9953104 | SCREW-8 X 1/2 S/S [3.EA] |
| 34 | 2260520 | HINGE PIN-UPPER | 84 | 2301310 | SCREW-8-18 X 1/2 | 143 | 2262535 | CONTROL BOX-PLASTIC A/Ts |
| 35 | 2150400 | PULL-GRIP | 85 | 2355410 | SHRINK TUBE-3/8 OD X 2 [2.EA] | 144 | 2267800 | GEAR-INDICATOR [2.EA] |
| 36 | 2151700 | WASHER-EYE SHAFT.562 OD | 86 | 2232360 | PULLEY-CABLE DRUM | 145 | 2262220 | INDICATOR-DRIVE |
| ■ | 2771987 | BOW MOUNT ASSEMBLY w/BOWGUARD 360 | 87 | 2261730 | WASHER-NYLON A/T CON B | 146 | 2261905 | BRACKET/INDICATOR |
| 37 | 2264221 | ARM-UPPER STD FW | 88 | 2776246 | TOP BEARING RACE /PINION DRIVE | 147 | 2301310 | SCREW-8-18 X 1/2 SS |
| 38 | 2265120 | BUMPER- UPPER ARM | 89 | 2263410 | SCREW-8-32 X 5/16 ZN PL [2.EA] | ■ | 2994838 | BAG ASSEMBLY-BOLTS,NUTS,WASHER |
| 39 | 2254353 | ARM- LWR FW MCHD | 90 | 2790002 | FOOT PEDAL/PLUG ASSEMBLY AT | *148 | 2263462 | SCREW- 14-20X2 SS [6.EA] |
| 40 | 2263900 | MOTOR REST | 91 | 2263700 | PUSH-BUTTON FOOT PEDAL | *149 | 2153103 | NUT- 1/4-20 NYLOC JAM [6.EA] |
| 41 | 2251937 | BOW PLATE-D/C MCHD | 92 | 2302732 | SPRING-LOWER PEDAL SS | *150 | 2301720 | WASHER- MOUNTING RUBBER [6.EA] |
| 42 | 2293801 | TUBE LOCK-D | 94 | 2264020 | SWITCH MOMENTARY | *151 | 2261713 | WASHER- 1/4 FLAT 18-18 [6.EA] |
| 43 | 2260506 | HINGE-PIN HEADLESS ZINC | 95 | 2265140 | BOOT-MICROSWITCH | 152 | 2260330 | WIRE EXTENSION 10GA BLK. 9" |
| 44 | 2236000 | BEARING NYLINER- [2.EA] | 96 | 2262114 | SCREW-MOUNTING/SWITCH [2.EA] | 153 | 2260331 | WIRE EXTENSION 10GA RED 9" |
| 45 | 2303431 | SCREW 1/4-20X5/8 PPH [4.EA] | 97 | 2233100 | NUT-SWITCH MOUNT [2.EA] | 154 | 2260332 | WIRE EXTENSION 10GA WHITE |
| 46 | 2293511 | BOLT-UPPER ARM W/LOCTITE [2.EA] | 98 | 2264026 | SWITCH-5 SPEED AT | 155 | 2260333 | WIRE EXTENSION 10GA YELLOW |
| 47 | 2293500 | BUSHING-SHOULDER UPPER ARM [2.EA] | 99 | 2261701 | LOCKWASHER -STAR | 156 | 2355410 | SHRINK TUBE 3/8"OD X 2" |
| 48 | 2152610 | SPRING-PIN LOCKBAR | 100 | 2263105 | NUT-HEX | 157 | 2375400 | SHRINK TUBE 1/4"OD X 1 3/4" |
| 49 | 2233600 | LOCK BAR- BOW MOUNT | 101 | 2261715 | SPACER-SWITCH 5 SP MODELS | 158 | 2263205 | LEADWIRE CLAMP |
| 50 | 2152700 | SPRING-LOCKBAR CAD.PLTD | 102 | 2260170 | KNOB-SPEED CONTROL 5 SPD | | | |

45"/48"/52"
MODELS

**Seal & Oring Kit P/N 2888460 * This item is part of an assembly. This item cannot be sold separately due to machining and /or assembly that is required.

P/N 2274955 REV. C 5-05

70AT is 24-volts!

