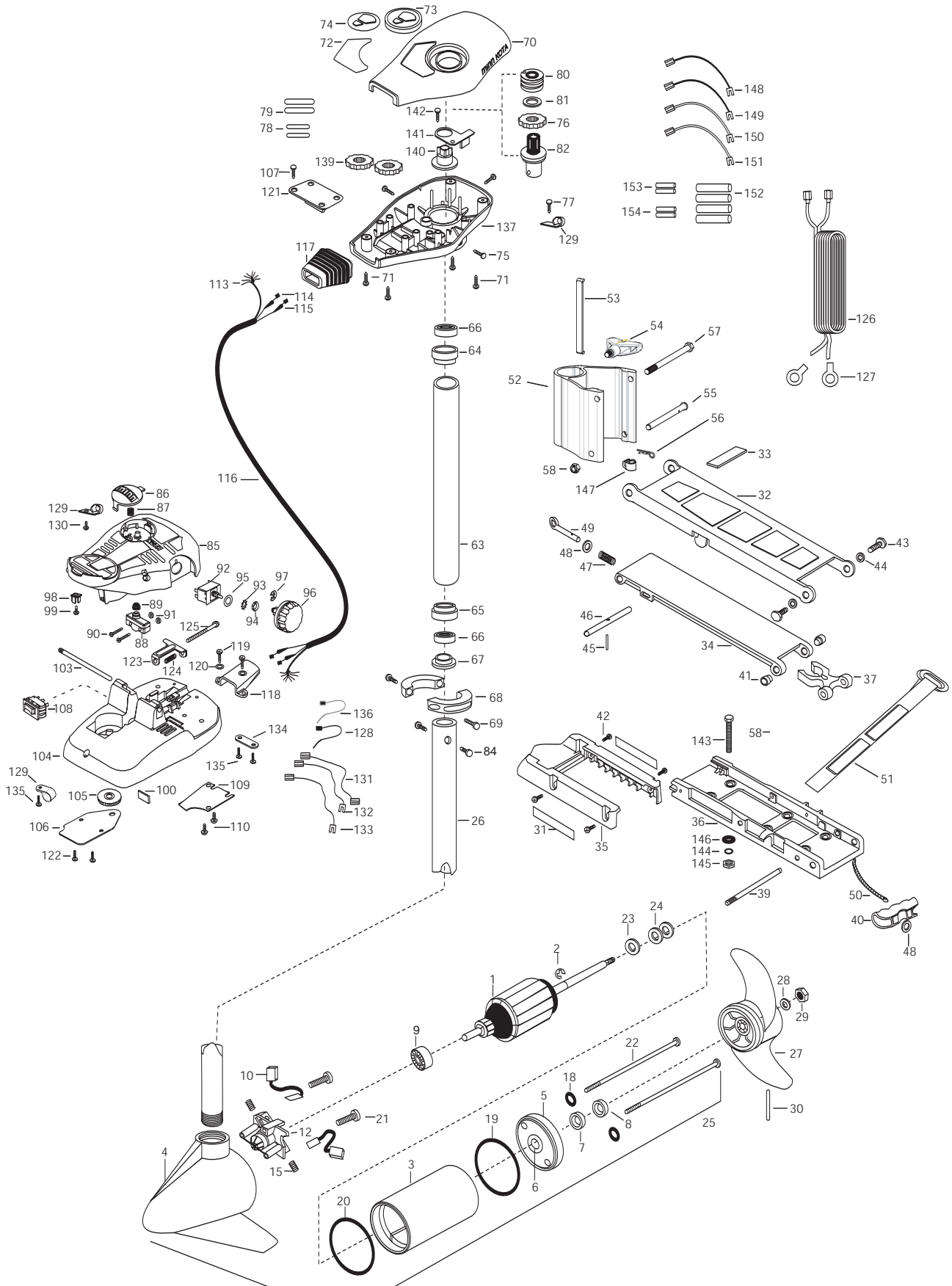


44 AT
44 LBS THRUST
12 VOLT 44 AMPS
36"- 42"- 48" SHAFT

for use with "AG" serial numbers
2-year warranty from the date of purchase



| | | | | | | | | |
|----|-----------|---|-----|---------|-----------------------------------|------|---------|-------------------------------------|
| 1 | 2-100-201 | ARM ASSEMBLY 12V 3.25 | 51 | 2263805 | VELCRO STRAP | 104 | 2992104 | FT PEDAL BASE/PIN ASSEMBLY SONAR |
| 2 | 788-015 | RETAINING RING | 52 | 2261831 | 1 PIECE HINGE | 105 | 2262301 | PULLEY- FOOT PEDAL |
| 3 | 2-200-079 | HOUSING ASSEMBLY CENTER 3.25 TXT | 53 | 2268610 | TENSION PLATE | 106 | 2266401 | COVER-PULLEY STAMPING |
| 4 | 2-300-132 | HOUSING- ASSEMBLY BRUSH END 3.25 SP.CO | 54 | 2050919 | HANDLE TENSION | 107 | 2223430 | SCREW-#8X 3/4 PPH TYPE 25 SS [4.EA] |
| 5 | 2-400-128 | PLAIN END HOUSING ASSEMBLY | 55 | 2262608 | CLEVIS PIN | 108 | 2254031 | SWITCH-MOM/OFF/COM |
| 6 | 144-049 | BEARING- FLANGE [SERVICE ONLY] | 56 | 2260801 | HAIR SPRING CLIP | 109 | 2266412 | SWITCH PLATE, FT PEDAL |
| 7 | 880-003 | **SEAL | 57 | 2383410 | BOLT 3/8-16 X 6" | 110 | 2332103 | SCREW-6-20 X 3/8 THD [2.EA] |
| 8 | 880-006 | **SEAL WITH SHIELD | 58 | 9950153 | NUT 3/8-16 NYLOC | 113 | 2261208 | WIRE HARNESS, A/T FT. PED-5' |
| 9 | 140-010 | BEARING - BALL | ■ | 2772015 | TUBE W/BEARING RACE ASSEMBLY 18" | 114 | 2267505 | CABLE ASSEMBLY-RIGHT 5' |
| 10 | 188-052 | BRUSH ASSEMBLY [2.EA] | | 2772012 | TUBE W/BEARING RACE ASSEMBLY 21" | 115 | 2267515 | CABLE ASSEMBLY-LEFT 5' |
| 12 | 738-030 | BRUSH PLATE W/HOLDER 3.25 | 63 | 2272066 | TUBE OUTER-18" 4 HOLES | 116 | 2265430 | CABLE JACKET 5' |
| 15 | 975-032 | SPRING- COMPRESSION [2.EA] | | 2272064 | TUBE OUTER -21" 4 HOLES | 117 | 2265110 | BOOT-CONTROL BOX |
| 18 | 701-007 | **O-RING [2. EA] | 64 | 2266260 | BEARING RACE | 118 | 2265115 | BOOT-FOOT PEDAL BASE |
| 19 | 701-039 | **O-RING MK406460 | 65 | 2266220 | BEARING RACE-STEEL | 119 | 2372100 | SCREW-8-18 X 5/8 THD [2.EA] |
| 20 | 701-041 | **O-RING | 66 | 2266000 | BEARING BALL-STEEL [2.EA] | 120 | 2261714 | WASHER-MAXXUM FT PDL [2.EA] |
| 21 | 830-001 | SCREW- SELF-THREAD 8-32X1.7 [2.EA] | 67 | 2266115 | BEARING CONE | 121 | 2261901 | BRACKET-CONDUIT AT/MAX |
| 22 | 830-078 | THRU BOLT 8-32 X 8.96 [2.EA] | 68 | 2261622 | COLLAR HALF-ALUM.- [2.EA] | 122 | 2301310 | SCREW-8-18 X 1/2 [2.EA] |
| 23 | 990-067 | WASHER- STEEL THRUST | 69 | 2263453 | SCREW-1/4X20 X 3/4 SHCS SS [2. A] | 123 | 2263210 | BRACKET- CONDUIT ADJUSTMENT |
| 24 | 990-070 | WASHER- NYLATRON [2.EA] | 70 | 2260284 | COVER-CTR BOX AT/FC BLK | 124 | 2262720 | SPRING-CONDUIT ADJUSTMENT |
| 25 | 2068250 | MTR ASSEMBLY 12V 3.25 5SPD | 71 | 2372100 | SCREW-8-18 X 5/8 THD [4.EA] | 125 | 2263466 | SCREW-1/4-20 X 2 STL PPH |
| 26 | 2032062 | TUBE (COMP)W/CSK HOLE 36" | 72 | 2265653 | DECAL-COVER 44AT/FC | 126 | 2261225 | LEADWIRE-BATTERY |
| | 2032064 | TUBE (COMP)W/CSK HOLE 48" | 73 | 2260150 | POINTER DISC TRNSLCNT RED | 127 | 2020700 | TERMINAL RING, 3/8" [2.EA] |
| | 2032063 | TUBE (COMP)W/CSK HOLE 42" | 74 | 2265800 | DECAL-INDICATOR | 128 | 2256300 | TIE WRAP-5.5" BLACK |
| ■ | 1378121 | PROPELLER KIT | 75 | 2053414 | SCREW-8-32 X 1/2 TRI LOBE [3. EA] | 129 | 2263201 | CLAMP WIRE HARNESS MICRO |
| 27 | 2061121 | PROPELLER | 76 | 2267800 | GEAR-INDICATOR | 130 | 2332103 | SCREW-6-20 X 3/8 THD |
| 28 | 2151726 | WASHER- 5/16 SS | 77 | 2301310 | SCREW-8-18 X 1/2 SS | 131 | 2260301 | CONNECTING WIRE -SWITCH |
| 29 | 2053101 | NUT-PROP NYLOC | 78 | 2375400 | SHRINK TUBE-1/4OD X 1-3/4 [2. EA] | 132 | 2260312 | WIRE,BLK W/WHT- 19 1/2 |
| 30 | 2092600 | PIN-DRIVE SS | 79 | 2355410 | SHRINK TUBE-3/8 OD X 2 [2. EA] | 133 | 2260322 | WIRE,BLK W/BLUE -12" |
| 31 | 2265631 | DECAL- MOTOR REST AT [2.EA] | 80 | 2232360 | PULLEY-CABLE DRUM | 134 | 2263205 | LEADWIRE CLAMP |
| ■ | 2771831 | STD-BOWMT FW ASSY. AT 1 PC. | 81 | 2261730 | WASHER-NYLON A/T | 135 | 9953104 | SCREW-8 X 1/2" SS |
| 32 | 2264221 | ARM-UPPER,STD,FW | 82 | 2996245 | BEARING RACE/ PINION ASSEMBLY | 136 | 2256301 | TIE WRAP 5.5 WHITE |
| 33 | 2265120 | BUMPER -UPPER ARM | 84 | 2263410 | SCREW-8-32 X 5/16 ZN PL [2.EA] | 137 | 2262535 | CONTROL BOX-PLASTIC |
| ■ | 2774353 | ARM-LOWER FW ASSEMBLY [INCL. 34,45,46,47,48,49,40,56] | 85 | 2790002 | FOOT PEDAL/PLUG ASSEMBLY AT | 139 | 2267800 | GEAR-INDICATOR [2.EA] |
| 34 | 2254353 | ARM-LWR FW MCHD | 86 | 2263700 | PUSH-BUTTON FOOT PEDAL | 140 | 2262220 | INDICATOR-DRIVE |
| 35 | 2263900 | MOTOR REST | 87 | 2302732 | SPRING-LOWER PEDAL SS | 141 | 2261905 | BRACKET/INDICATOR |
| 36 | 2251937 | BOW PLATE-D C MCHD | 88 | 2264020 | SWITCH MOMENTARY | 142 | 2301310 | SCREW-8-18 X 1/2 (SS |
| 37 | 2293804 | TUBE LOCK | 89 | 2265140 | BOOT-MICROSWITCH | ■ | 2994838 | BAG ASSEMBLY-(INCL 143,144,145,146 |
| 40 | 2150400 | PULL-GRIP | 90 | 2262114 | SCREW-MOUNTING/SWITCH [2.EA] | *143 | 2263462 | SCREW 1/4-20X2 SS [6.EA] |
| 41 | 2236000 | BEARING NYLINER- [2.EA] | 91 | 2233100 | NUT-SWITCH MOUNT [2.EA] | *144 | 2261713 | WASHER-1/4 FLAT 18-18 [6.EA] |
| 42 | 2303431 | SCREW 1/4-20X5/8"PPH [4. EA] | 92 | 2264026 | SWITCH-S SPEED | *145 | 2263103 | NUT- 1/4-20 NYLOC-JAM [6.EA] |
| 43 | 2293511 | BOLT-UPPER ARM W/LOCTITE [2.EA] | 93 | 2261701 | LOCKWASHER-STAR | *146 | 2301720 | WASHER MOUNTING RUBBER [6. EA] |
| 44 | 2293500 | BUSHING-SHOULDER UPPER ARM [4.EA] | 94 | 2263105 | NUT-HEX | 147 | 2262310 | GUIDE ROPE |
| 45 | 2152610 | SPRING-PIN LOCKEAR | 95 | 2261715 | SPACER-SWITCH 5 SP MODELS | | | |
| 46 | 2233600 | LOCK BAR- BOW MOUNT | 96 | 2260170 | KNOB-SPEED CONTROL 5SPD | | | |
| 47 | 2152700 | SPRING-LOCKBAR CAD.PLT | 97 | 2263000 | E-RING TRU-ARC | | | |
| 48 | 2151700 | WASHER-EYE SHAFT .562 OD [2.EA] | 98 | 2260730 | CONNECTOR 1/4 MALE TAB | | | |
| 49 | 2153600 | EYE SHAFT-CAD.PLATE | 99 | 2332103 | SCREW-6-20 X 3/8 | | | |
| 50 | 2251601 | ROPE- 40" | 100 | 2266413 | TENSION SCREW PLATE FT PEDL | | | |
| | | | 103 | 2260511 | PIN-PIVOT A/T FT PDL | | | |

** Seal & Oring Kit P/N 2883460 * THIS ITEM IS PART OF AN ASSEMBLY. THIS ITEM CANNOT BE SOLD SEPARATELY DUE TO MACHINING AND /OR ASSEMBLY THAT IS REQUIRED.

P/N 2274918 REV. C 5-05

