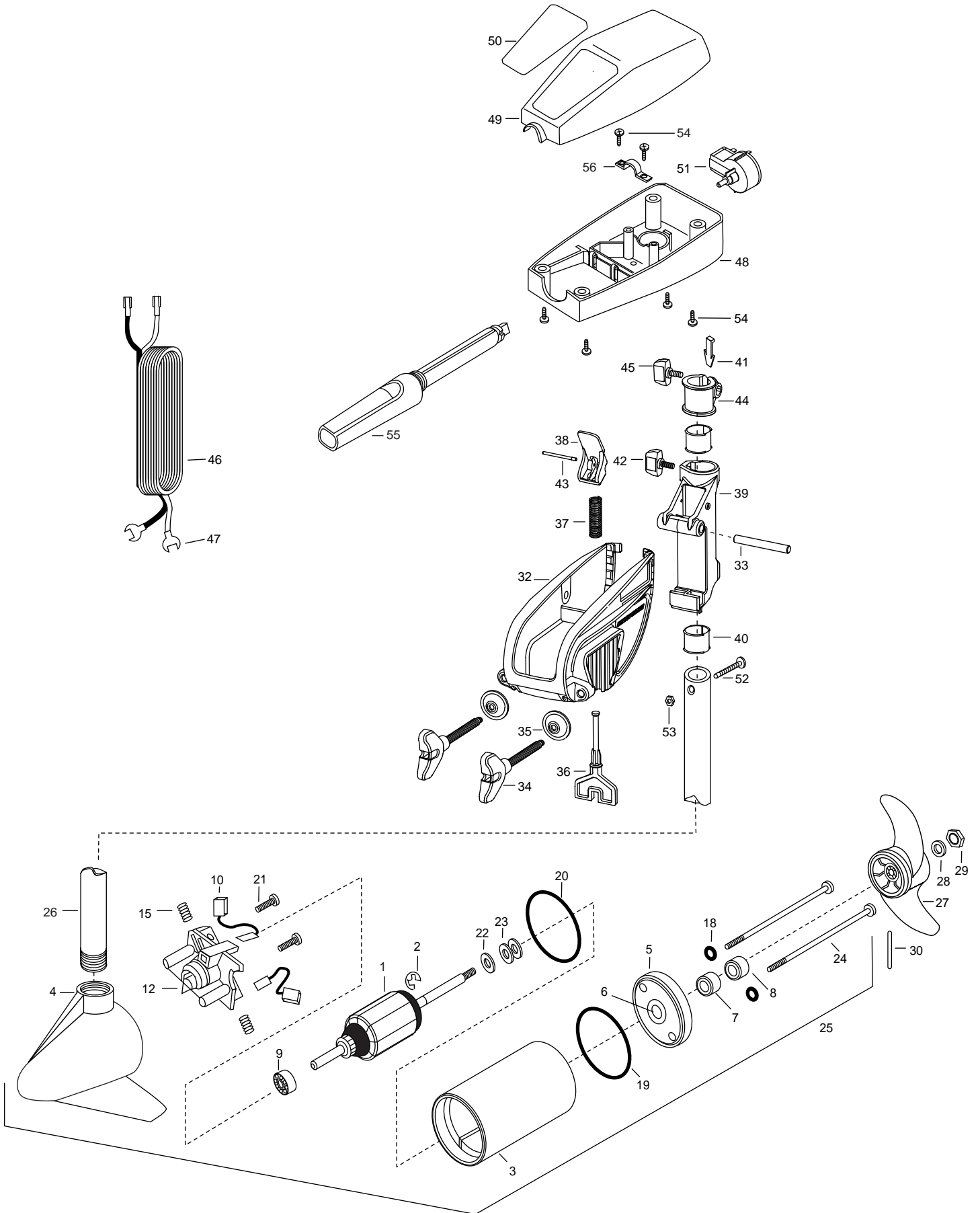


CLASSIC 28
12 VOLT 35 AMPS
28 LBS THRUST
30" SHAFT

for use with "MKAF" serial numbers
2-year warranty from the date of purchase



1	2-100-277	ARMATURE ASSEMBLY 12V 3.25		SK701-041	O-RING	37	2062706	SPRING- T-BAR ENDURA
	SK2-100-077	ARMATURE ASSEMBLY 12V 3.25	21	830-001	SCREW SELF THREAD 8-32X1.7 [2.EA]	38	2067201	LEVER- TILT BLACK ENDURA
2	788-015	RETAINING RING		SK830-001	SCREW SELF THREAD 8-32X 1.7 [2.EA]	39	2061810	HINGE-PLASTIC
3	2-200-177	HOUSING ASSEMBLY CENTER 3.25 TXT	22	990-067	WASHER- STEEL	40	2037301	BUSHING-HINGE [2.EA]
	SK2-200-177	HOUSING ASSEMBLY CENTER 3.25 TXT		SK990-067	WASHER-STEEL	41	2062800	TENSION BLOCK- SNAP IN
4	2-300-142	HOUSING- BRUSH END	23	990-070	WASHER- NYLATRON [2.EA]	42	2011385	SCREW-TENSION/NEW KNOB
	SK2-300-142	HOUSING- BRUSH END		SK990-070	WASHER - NYLATRON [2 EA.]	43	2060515	PIN- TILT LEVER
5	2-400-127	PLAIN END HOUSING ASSEMBLY	24	830-076	THRU BOLT 8-32X8.0 [2.EA]	44	2061520	COLLAR-DEPTH ((ENDURA)
	SK2-400-127	PLAIN END HOUSING ASSEMBLY		SK830-076	THRU BOLT 8-32 X 8.0 [2.EA]	45	2011365	SCREW-COLLAR/NEW KNOB
6	144-049	FLANGE BEARING	25	2069260	MOTOR ASSEMBLY 12V 3.25 5SPC TXT	46	2020606	LEADWIRE-14GA FLAG TERM.
	SK144-049	FLANGE BEARING	25A	2067060	MOTOR ASSEMBLY 12V 3.25 5SPC TXT	47	2020703	SPADE TERMINAL - 14 AWG [2EA]
7	880-003	SEAL	26	2032045	TUBE (COMPOSITE) 30" 7/8	48	2062542	CONTROL BOX
	SK880-003	SEAL	■	1378121	PROP W/DRIVE PIN, WASHER, NUT KIT	49	2060255	CONTROL BOX COVER
8	880-006	SEAL W/SHIELD	27	2061121	PROPELLER 3.25 HUB DIA	50	2035620	DECAL-COVER 28 CLASSIC TS
	SK880-006	SEAL W/SHIELD	28	2151726	WASHER- 5/16 STD SS	51	2064023	SWITCH-FWD/REV 5SP
9	140-010	BEARING-BALL	29	2053101	NUT- NYLOC MED 5/16 SS	52	2033400	SCREW-10-24 X 1-3/4
10	188-052	BRUSH ASSEMBLY [2.EA]	30	2092600	PIN- DRIVE SS	53	2013110	NUT-10-24 HEX
12	738-030	BRUSH PLATE WITH HOLDER 3.25	■	2991815	BRACKET & HINGE ASSEMBLY BLACK KNOB	54	2012100	SCREW-8-18 X 5/8 [6.EA]
	SK738-030	BRUSH PLATE WITH HOLDER 3.25	■	2771910	BRACKET W/CLAMP SCREW ASSEMBLY	55	2030992	HANDLE ASSEMBLY CLASSIC 5 SPD
15	975-032	SPRING COMPRESSION			(INCL.32,34,35)	56	2010030	BEARING HANDLE CAP
	SK975-032	SPRING COMPRESSION	*32	2061910	BRACKET PLASTIC			
18	701-007	O-RING [2.EA]	33	2060510	PIN-HINGE- ENDURA			
	SK701-007	O-RING [2.EA]	*34	2061300	SCREW- CLAMP			
19	701-039	O-RING MK406460	*35	2011710	WASHER- CLAMP SCREW 1.5OD			
	SK701-039	O-RING	■	2881300	CLAMP SCREW, WASHER, RETAINER KIT			
20	701-041	O-RING	36	2063605	T-BAR PLASTIC			

*When ordering replacement parts for lower motor assembly, only identify motor assembly part number- item 25 and 25A. For motor assembly 2067060, order parts with "SK" prefix.

* This item is part of an assembly. This item cannot be sold separately due to machining and /or assembly that is required.

P/N 2034955 REV.C 12-03

