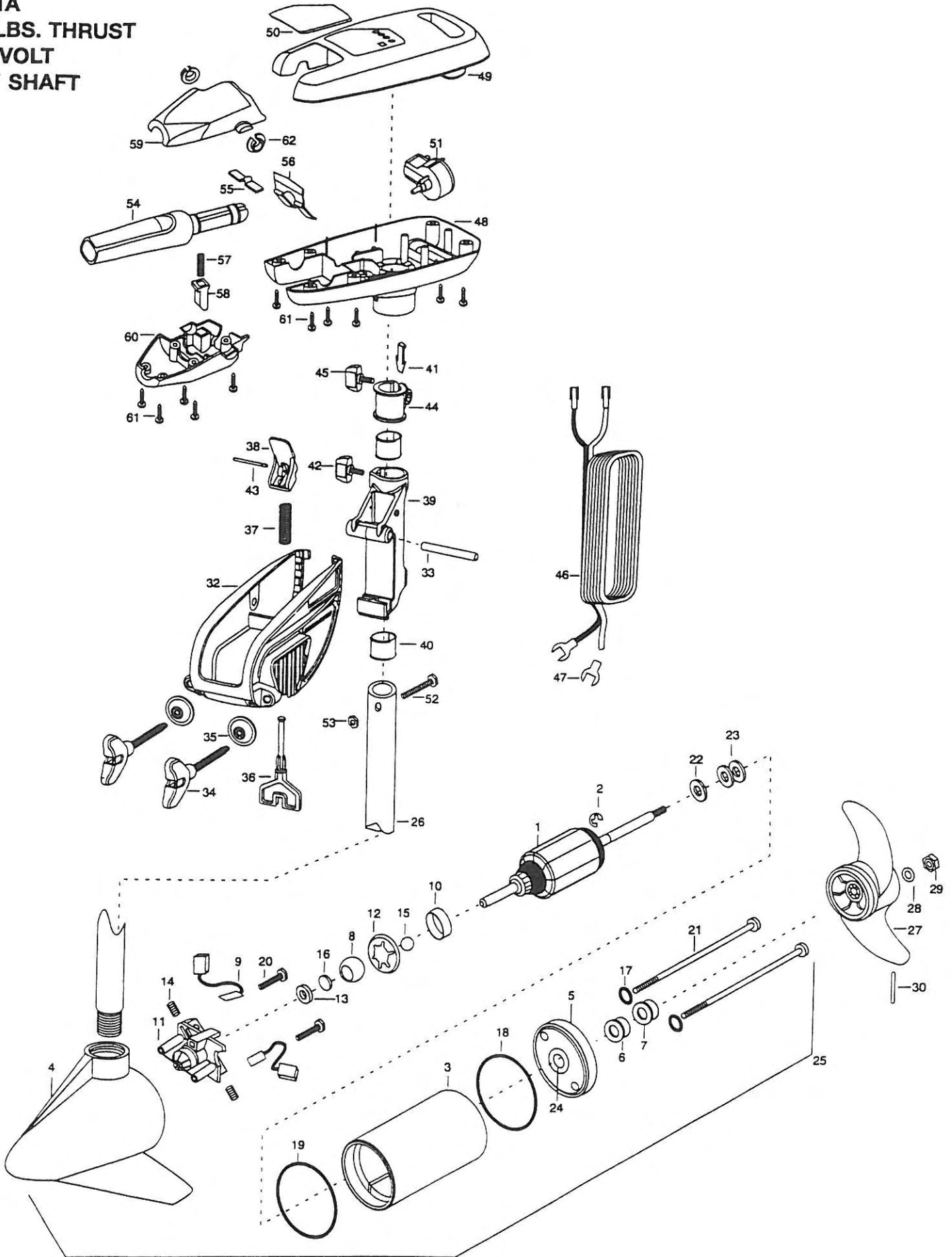


50TA  
32LBS. THRUST  
12 VOLT  
36" SHAFT



1	2-100-178	ARMATURE ASSEMBLY 12V 3.25				
2	788-015	RETAINING RING		■	2771811	BRACKET & HINGE ASSEMBLY
3	431-079	CENTER HOUSING ASSEMBLY 3.25 TXT		■	2771910	BRACKET W/CLAMP SCREW ASSEMBLY (INCL.32, 34, 35)
4	2-300-132	BRUSH END HOUSING ASSEMBLY 3.25 SP.CO		*32	2061910	BRACKET PLASTIC
5	2-400-127	HOUSING- PLAIN END ASSEMBLY		33	2060510	PIN-HINGE- ENDURA
6	880-003	SEAL		*34	2061300	SCREW- CLAMP
7	880-006	SEAL W/SHIELD		*35	2011710	WASHER- CLAMP SCREW 1.50D
8	144-050	BEARING- SPHERICAL		■	2881300	CLAMP SCREW, WASHER, RETAINER KIT
9	188-052	BRUSH ASSEMBLY [2.EA]		36	2063605	T-BAR PLASTIC
10	725-033	BRUSH RETENTION- PAPER TUBE		37	2062706	SPRING- T-BAR ENDURA
11	737-031	BRUSH PLATE W/HOLDER 3.25 ASSEMBLY INCLUDES 8, 11, 12, 13		38	2067200	LEVER- TILT RED ENDURA
12	784-036	BEARING RETAINER		39	2061810	HINGE-PLASTIC
13	991-025	WASHER- FELT		40	2037301	BUSHING-HINGE [2.EA]
14	975-032	SPRING- COMPRESSION		41	2062800	TENSION BLOCK- SNAP IN
15	116-020	BALL- STEEL		42	2011385	SCREW-TENSION/NEW KNOB
16	303-039	THRUST DISC- METAL		43	2060515	PIN- TILT LEVER
17	701-007	O-RING [2.EA]		44	2061520	COLLAR-DEPTH ((ENDURA)
18	701-039	O-RING MK406460		45	2011365	SCREW-COLLAR W/NEW KNOB
19	701-041	O-RING		46	2050609	LEADWIRE 10 GA SPADE TERM
20	830-001	SCREW- SELF THREAD 8-32 X 1.7 [2.EA]		47	2020702	TERMINAL- SPADE 10GA [2.EA]
21	830-078	THRU BOLT 8-32 X 8.96 [2.EA]		48	2062551	CONTROL BOX-PLAS W/HAND
22	990-067	WASHER- STEEL		49	2060281	CONTROL BOX COVER- BLK
23	990-070	WASHER- NYLATRON [2.EA]		50	2065609	DECAL COVER-50TA
24	144-049	BEARING- FLANGE- SERVICE ONLY		51	2064023	SWITCH-FWD/REV COMBO-5 SP
25	2069041	MOTOR ASSEMBLY 12V 3.25 5SPC TXT		52	2033400	SCREW-10-24 X 1-3/4
26	2032052	TUBE- COMPOSITE 36"		53	2013110	NUT-HEX ZINC/CAD PLATE
	■ 1378126	PROP KIT		54	2990912	HANDLE ASSEMBLY W/U-JOINT 5SP
*27	2061125	PROP- WEEDLESS WEDGE		55	2302742	SPRING-DETENT OFF SS
*28	2151726	WASHER- 5/15 STD SS		56	2302743	SPRING-DETENT HANDLE
*29	2053101	NUT-PROP NYLOC 5/16 SS		57	2302745	SPRING-RELEASE BUTTON SS
*30	2092600	PIN-DRIVE SS		58	2303720	RELEASE BUTTON-HANDLE
				59	2060408	HANDLE- TOP HALF
				60	2060415	HANDLE- LOWER HALF
				61	2303412	SCREW-6-20 X 5/8 SELF TAP [11.EA]
				62	2060005	BEARING-HANDLE PIVOT [2.EA]

\* This item is part of an assembly. This item cannot be sold separately due to machining and /or assembly that is required.

# 12-volt models

