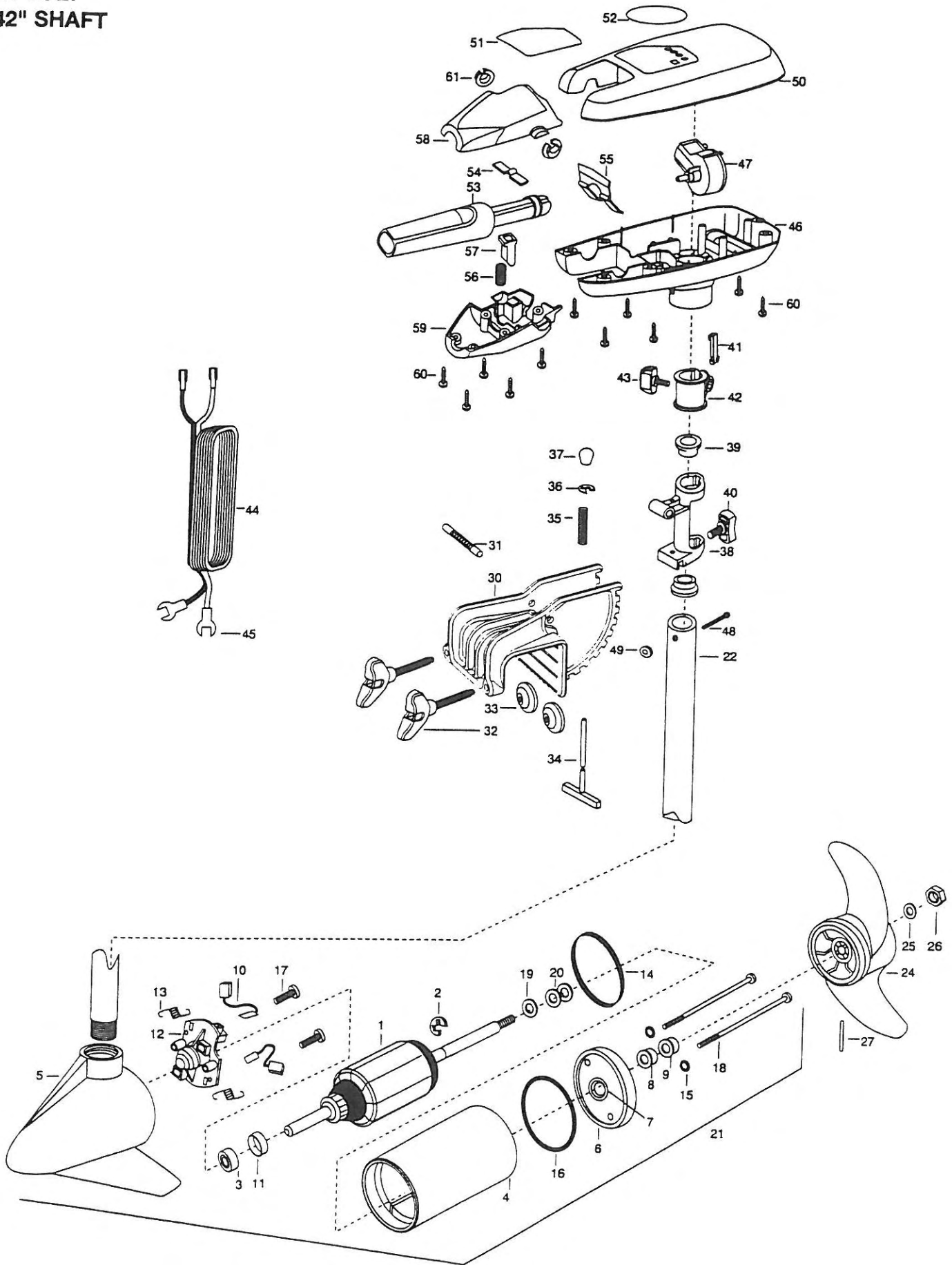


65T CABELA
24 VOLT
42" SHAFT



1	2-100-009	ARMATURE ASSEMBLY 24V 3.62 65#	*30	2031931	BRACKET DIE CAST- FW PAINT
2	788-015	RETAINING-RING	31	2010511	PIN-HINGE
3	140-010	BEARING -BALL	32	2061300	SCREW-CLAMP [2 EA.]
4	431-005	HOUSING- CENTER ASSEMBLY 3.62 65#	33	2011710	WASHER-CLAMP SCREW [2 EA.]
5	2-300-039	HOUSING- BRUSH END ASSEMBLY 3.62 TXT SPCO	34	2033600	T-BAR
6	2-400-101	PLAIN END HOUSING ASSEMBLY 3.625	35	2012700	SPRING- (T-BAR)
7	144-049	BEARING- FLANGE	36	2013000	E-RING
8	880-003	SEAL	37	2010100	KNOB-TILT
9	880-006	SEAL-W/SHIELD	38	2031852	HINGE- MACHINED
10	188-036	BRUSH ASSEMBLY 3.625 [2.EA]	39	2037300	BUSHING-HINGE [2 EA.]
11	725-050	PAPER TUBE- BRUSH RETENTION	40	2011385	SCREW, TENSION/KNOB
12	738-036	BRUSH PLATE WITH HOLDER	41	2062800	TENSION BLOCK-SNAP IN
13	975-040	SPRING- TORSION [2.EA]	42	2061520	COLLAR-DEPTH ENDURA
14	337-036	GASKET	43	2011365	SCREW-COLLAR/NEW KNOB
15	701-008	O-RING— THRU BOLT [2.EA]	44	2050609	LEADWIRE (10 GA) W/SPADE TERM
16	701-081	O-RING	45	2020702	SPADE TERMINAL 10 GA [2 EA.]
17	830-007	SCREW- 8-32 [2.EA]	46	2062551	CONTROL BOX
18	830-008	THRU BOLT 10-32 X 9.205 [2.EA]	47	2064023	SWITCH FWD/REV 5 SP
19	990-067	WASHER- STEEL	48	2033400	SCREW 10-24 X 1-3/4
20	990-070	WASHER- NYLATRON [2.EA]	49	2013110	NUT- HEX 10-24
21	2098034	MOTOR-ASSEMBLY 24V FW 47.75 LDS	50	2060205	CONTROL BOX COVER- GREY
22	2032053	TUBE (COMPOSITE) 42"	51	2065636	DECAL-COVER 65T 24V CABELA
■	1378122	PROPELLER KIT	52	2005601	DECAL- CABELA TOURN SERIES
24	2091150	PROP (WEEDLESS WEDGE)	53	2990912	HANDLE ASSEMBLY W/ U-JOINT 5SP
25	2151726	WASHER-PROP 5/16 STD SS	54	2302742	SPRING-DETENT (OFF) SS
26	2053101	NUT-PROP MED 5/16 SS	55	2302743	SPRING-DETENT HANDLE-TILT
27	2092600	PIN-DRIVE SS	56	2302745	SPRING-RELEASE BUTTON SS
■	2771960	BRACKET & HINGE ASSEMBLY FW (INCLUDES- 30-41)	57	2303720	RELEASE BUTTON-HANDLE
■	2771901	BRACKET ASSEMBLY (INCLUDES- 30, 32, 33)	58	2060408	HANDLE (TOP HALF)
			59	2060415	HANDLE (LOWER HALF)
			60	2303412	SCREW-6-20 X 5/8 SELF TAP [11 EA.]
			61	2060005	BEARING-HANDLE PIVOT [2 EA.]

* This item is part of an assembly. This item cannot be sold separately due to machining and /or assembly that is required.

65T Tournament Series 24-volt model

