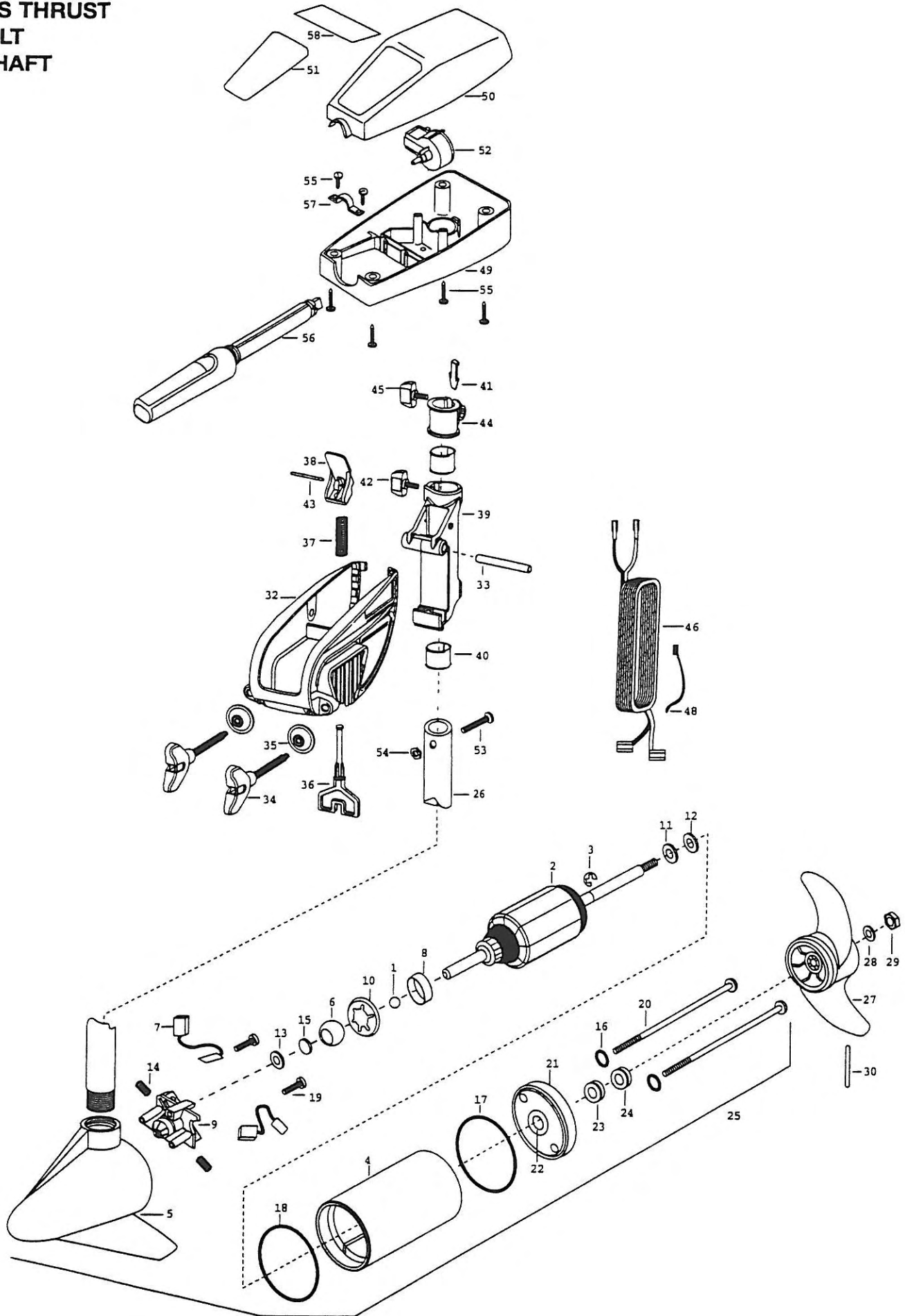


**POWER MAX 30
30 LBS THRUST
12 VOLT
30" SHAFT**



1	116-020	BALL - STEEL	■	2771811	BRACKET & HINGE ASSEMBLY
2	2-100-077	ARM ASSEMBLY 12V 3.25	■	2771910	BRACKET W/CLAMP SCREW ASSEMBLY (INCL.32, 34, 35)
3	788-015	RETAINING RING	*32	2061910	BRACKET PLASTIC
4	990-067	WASHER - STEEL THRUST	33	2060510	PIN-HINGE- ENDURA
5	990-070	WASHER - NYLATRON [2.EA]	*34	2061300	SCREW- CLAMP
6	431-177	CENTER HOUSING ASSEMBLY 3.25 TXT	*35	2011710	WASHER- CLAMP SCREW 1.50D
7	2-300-142	BRUSH END HOUSING ASSEMBLY SP CO	■	2881300	CLAMP SCREW, WASHER, RETAINER KIT
8	144-050	BEARING - SPHERICAL	36	2063605	T-BAR PLASTIC
9	188-052	BRUSH ASSEMBLY [2.EA]	37	2062706	SPRING- T-BAR ENDURA
10	725-033	BRUSH RETENTION- PAPER TUBE	38	2067200	LEVER- TILT RED ENDURA
11	737-031	BRUSH PLATE W/HOLDER 3.25 ASSEMBLY INCLUDES 8, 11, 12,13	39	2061810	HINGE-PLASTIC
12	784-036	BEARING RETAINER	40	2037301	BUSHING-HINGE [2.EA]
13	991-025	WASHER - FELT	41	2062800	TENSION BLOCK- SNAP IN
14	975-032	SPRING - COMPRESSION [2.EA]	42	2011385	SCREW-TENSION/NEW KNOB
15	303-039	THRUST DISC - METAL	43	2060515	PIN- TILT LEVER
16	701-007	O-RING [2. EA]	44	2061520	COLLAR-DEPTH ((ENDURA)
17	701-041	O-RING	45	2011365	SCREW-COLLAR/NEW KNOB
18	701-039	O-RING MK406460	46	2020606	LEADWIRE 14 GA W/FLAG TERM
19	830-001	SCREW - SELF-THREAD 8-32 X 1.7 [2.EA]	48	2256300	TIE WRAP [2.EA]
20	830-076	THRU BOLT 8-32 X 8. [2. EA]	49	2062542	CONTROL BOX
21	2-400-127	PLAIN END HOUSING ASSEMBLY	50	2060254	CONTROL BOX COVER-BLACK
22	144-099	FLANGE BEARING (SERVICE ONLY)	51	2035691	DECAL COVER - 30 POWERMAX
23	880-003	SEAL	52	2064023	SWITCH-FWD/REV 5 SP
24	880-006	SEAL WITH SHIELD	53	2033400	SCREW-10-24 X 1-3/4 PPH ZP
25	2069060	MOTOR ASSEMBLY 12V 3.2.5 5SPC TXT 47	54	2013110	NUT-10-24 HEX ZCP
26	2032045	TUBE, COMPOSITE 30"	55	2012100	SCREW-8-18 X 5/8 THD CUT [6.EA]
■	1378121	PROP- KIT	56	2030992	HANDLE ASSEMBLY CLASSIC 5 SPEED
27	2061121	PROP -3.25 HUB DIA.	57	2010030	BEARING CAP- HANDLE
28	2151726	WASHER- 5/16 STD SS	58	2315650	DECAL- COVER POWERMAX LOGO
29	2053101	NUT-PROP NYLOC			
30	2092600	PIN-DRIVE			

* This item is part of an assembly. This item cannot be sold separately due to machining and /or assembly that is required. P/N 2034951 REV.C 8-01

