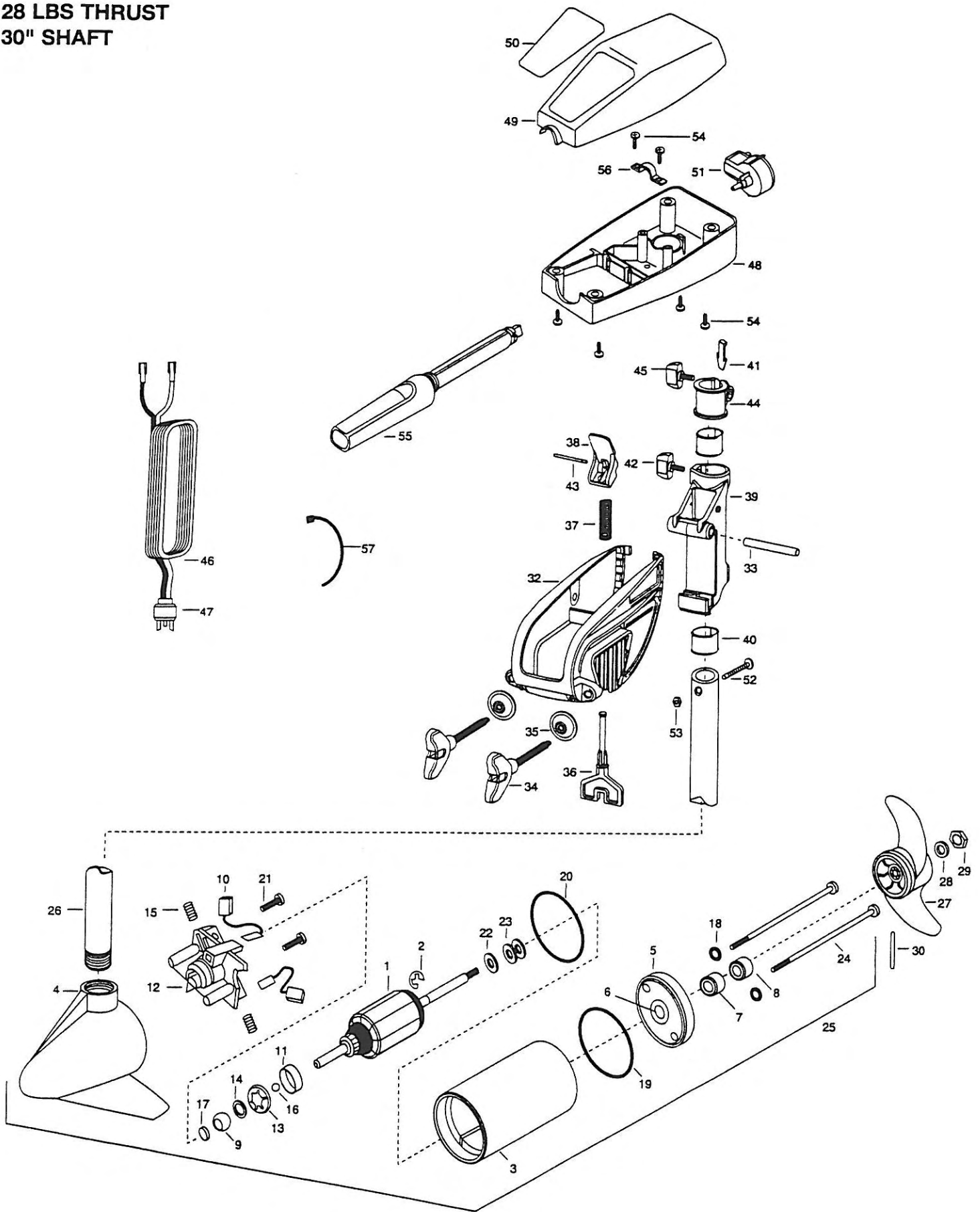


CLASSIC 28
12 VOLT
28 LBS THRUST
30" SHAFT



1	2-100-077	ARMATURE ASSEMBLY 12V 3.25	29	2053101	NUT- NYLOC MED 5/16 SS
2	788-015	RETAINING RING	30	2092600	PIN- DRIVE SS
3	431-177	HOUSING ASSEMBLY CENTER 3.25 TXT	■	2771811	BRACKET & HINGE ASSEMBLY RED KNOB
4	421-132	HOUSING- BRUSH END	■	2771910	BRACKET W/CLAMP SCREW ASSEMBLY (INCL.32, 34, 35)
5	2-400-127	PLAIN END HOUSING ASSEMBLY	*32	2061910	BRACKET PLASTIC
6	144-049	FLANGE BEARING	33	2060510	PIN-HINGE- ENDURA
7	880-003	SEAL	*34	2061300	SCREW- CLAMP
8	880-006	SEAL W/SHIELD	*35	2011710	WASHER- CLAMP SCREW 1.50D
9	144-050	BEARING- SPHERICAL	■	2881300	CLAMP SCREW, WASHER, RETAINER KIT
10	188-052	BRUSH ASSEMBLY [2.EA]	36	2063605	T-BAR PLASTIC
11	725-033	BRUSH RETENTION- PAPER TUBE	37	2062706	SPRING-T-BAR ENDURA
12	738-031	BRUSH PLATE WITH HOLDER 3.25 ASSEMBLY INCLUDES 9, 13, 14	38	2067201	LEVER-TILT BLACK ENDURA
13	784-036	BEARING RETAINER	39	2061810	HINGE-PLASTIC
14	991-025	WASHER- FELT	40	2037301	BUSHING-HINGE [2.EA]
15	975-032	SPRING COMPRESSION	41	2062800	TENSION BLOCK- SNAP IN
16	116-020	BALL-STEEL	42	2011385	SCREW-TENSION/NEW KNOB
17	303-039	THRUST DISK- METAL	43	2060515	PIN-TILT LEVER
18	701-007	O-RING [2.EA]	44	2061520	COLLAR-DEPTH (ENDURA)
19	701-039	O-RING MK406460	45	2011365	SCREW-COLLAR/NEW KNOB
20	701-041	O-RING	46	2020607	LEADWIRE-14GA W/PLUG
21	830-001	SCREW SELF THREAD 8-32 X 1.7 [2.EA]	47	2026700	PLUG-14 AWG
22	990-067	WASHER-STEEL	48	2062542	CONTROL BOX
23	990-070	WASHER-NYLATRON [2.EA]	49	2060251	CONTROL BOX COVER
24	830-076	THRU BOLT 8-32 X 8.0 [2.EA]	50	2035608	DECAL-COVER 28 CLASSIC TS
25	2069060	MOTOR ASSEMBLY 12V 3.25 5SPC TXT	51	2064023	SWITCH-FWD/REV 5SP
26	2032045	TUBE (COMPOSITE) 30" 7/8	52	2033400	SCREW-10-24 X 1-3/4
■	1378121	PROP W/DRIVE PIN, WASHER, NUT KIT	53	2013110	NUT-10-24 HEX
27	2061121	PROPELLER 3.25 HUB DIA	54	2012100	SCREW-8-18 X 5/8 [6.EA]
28	2151726	WASHER-5/16 STD SS	55	2030992	HANDLE ASSEMBLY CLASSIC 5 SPD
			56	2010030	BEARING HANDLE CAP
			57	2026300	TIE WRAP

* This item is part of an assembly. This item cannot be sold separately due to machining and /or assembly that is required.

