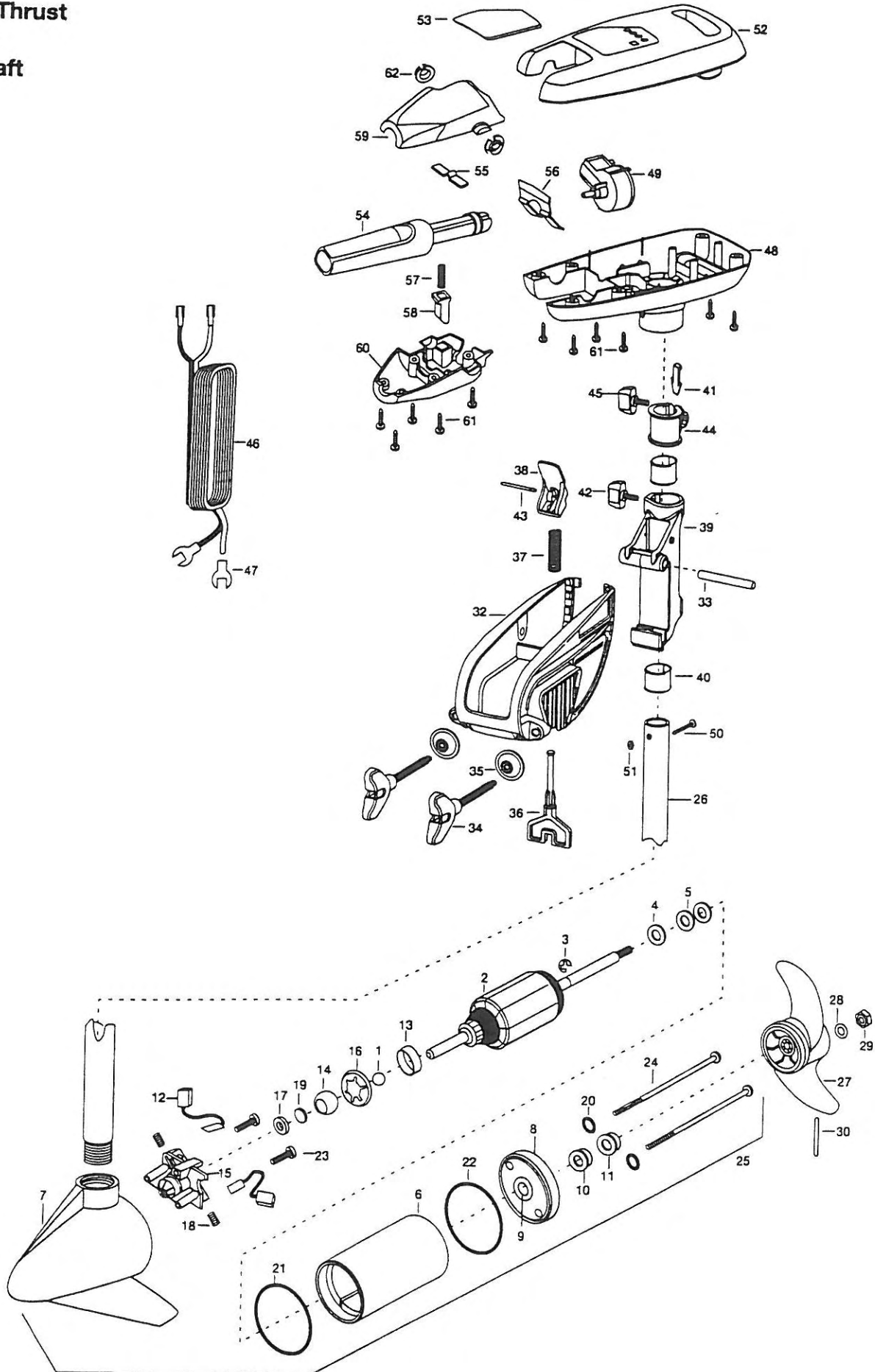


**44XL CAMO**  
**44 lbs Thrust**  
**12 Volt**  
**36" Shaft**



1	116-020	BALL - STEEL	*32	2061910	BRACKET PLASTIC
2	2-100-001	ARMATURE ASSEMBLY 12V 3.25 40*	33	2060510	PIN-HINGE- ENDURA
3	788-015	RETAINING RING	*34	2061300	SCREW- CLAMP
4	990-067	WASHER - STEEL THRUST	*35	2011710	WASHER- CLAMP SCREW 1.50D
5	990-070	WASHER - NYLATRON [2.EA]	■	2881300	CLAMP SCREW, WASHER, RETAINER KIT
6	431-079	HOUSING ASSEMBLY CENTER 3.25 TXT	36	2063605	T-BAR PLASTIC
7	2-300-132	HOUSING ASSEMBLY BRUSH END 3.25 SP.CO.	37	2062706	SPRING- T-BAR ENDURA
8	2-400-127	PLAIN END HOUSING ASSEMBLY 3.25	38	2067201	LEVER- TILT BLACK ENDURA
9	144-049	BEARING - FLANGE [SERVICE ONLY]	39	2061810	HINGE-PLASTIC
10	880-003	SEAL	40	2037301	BUSHING-HINGE [2.EA]
11	880-006	SEAL WITH SHIELD	41	2062800	TENSION BLOCK- SNAP IN
12	188-052	BRUSH ASSEMBLY [2.EA ]	42	2011385	SCREW-TENSION/NEW KNOB
13	725-033	BRUSH RETENTION	43	2060515	PIN- TILT LEVER
14	144-050	BEARING - SPHERICAL	44	2061520	COLLAR-DEPTH ((ENDURA)
15	737-031	BRUSH PLATE W/HOLDER 3.25 ASSEMBLY-INCL.14, 15, 16, 17	45	2011365	SCREW-COLLAR/NEW KNOB
16	784-036	BEARING RETAINER	46	2050609	LEADWIRE 10 GA SPADE TERM
17	991-025	WASHER - FELT	47	2020702	TERMINAL SPADE 10GA [2. EA]
18	975-032	SPRING - COMPRESSION [2.EA]	48	2067700	CONTROL BOX CAMO W/HAND 5SPD
19	303-039	THRUST DISC - METAL	49	2064023	SWITCH-FWD/REV 5SPD
20	701-007	O-RING [2. EA]	50	2033400	SCREW-10-24 K 1-3/4
21	701-041	O-RING	51	2013110	NUT-10-24 HEX
22	701-039	O-RING MK406460	52	2060282	CONTROL BOX COVER-(CAMO)
23	830-001	SCREW - SELF-THREAD 8-32 X 1.7 [2.EA ]	53	2095669	DECAL-COVER, 44XL CAMO
24	830-078	THRU BOLT 8-32 X 8.96 [2. EA]	54	2990917	HANDLE ASSEMBLY-W/U-JOINT 5SPD
25	2068050	MOTOR ASSEMBLY 12V3.25 5SPD TXT	55	2302742	SPRING-DETENT OFF (SS)
26	2067705	TUBE (COMP)W/CS K HOLE 36" CAMO DIPPED	56	2302743	SPRING-DETENT HANDLE-TILT
n	1378126	PROPELLER KIT	57	2302745	SPRING-RELEASE BUTTON (SS)
*27	2061125	PROPELLER W/WEDGE	58	2303720	RELEASE BUTTON-HANDLE
*28	2151726	WASHER-PROP (MEDIUM)	59	2067702	HANDLE (TOP HALF) CAMO
*29	2053101	NUT-PROP NYLOC	60	2067701	HANDLE (LOWER HALF) CAMO
*30	2092600	PIN-DRIVE (SS)	61	2303412	SCREW-6-20 X 5/8 SELF TAP [11 EA]
■	2771810	BRACKET & HINGE ASSEMBLY- CAMO	62	2060005	BEARING-HANDLE PIVOT [2. EA]
■	2771910	BRACKET W/CLAMP SCREW ASSEMBLY (INCL.32, 34, 35)			

\* This item is part of an assembly. This item cannot be sold separately due to machining and /or assembly that is required.

# 12-volt models

