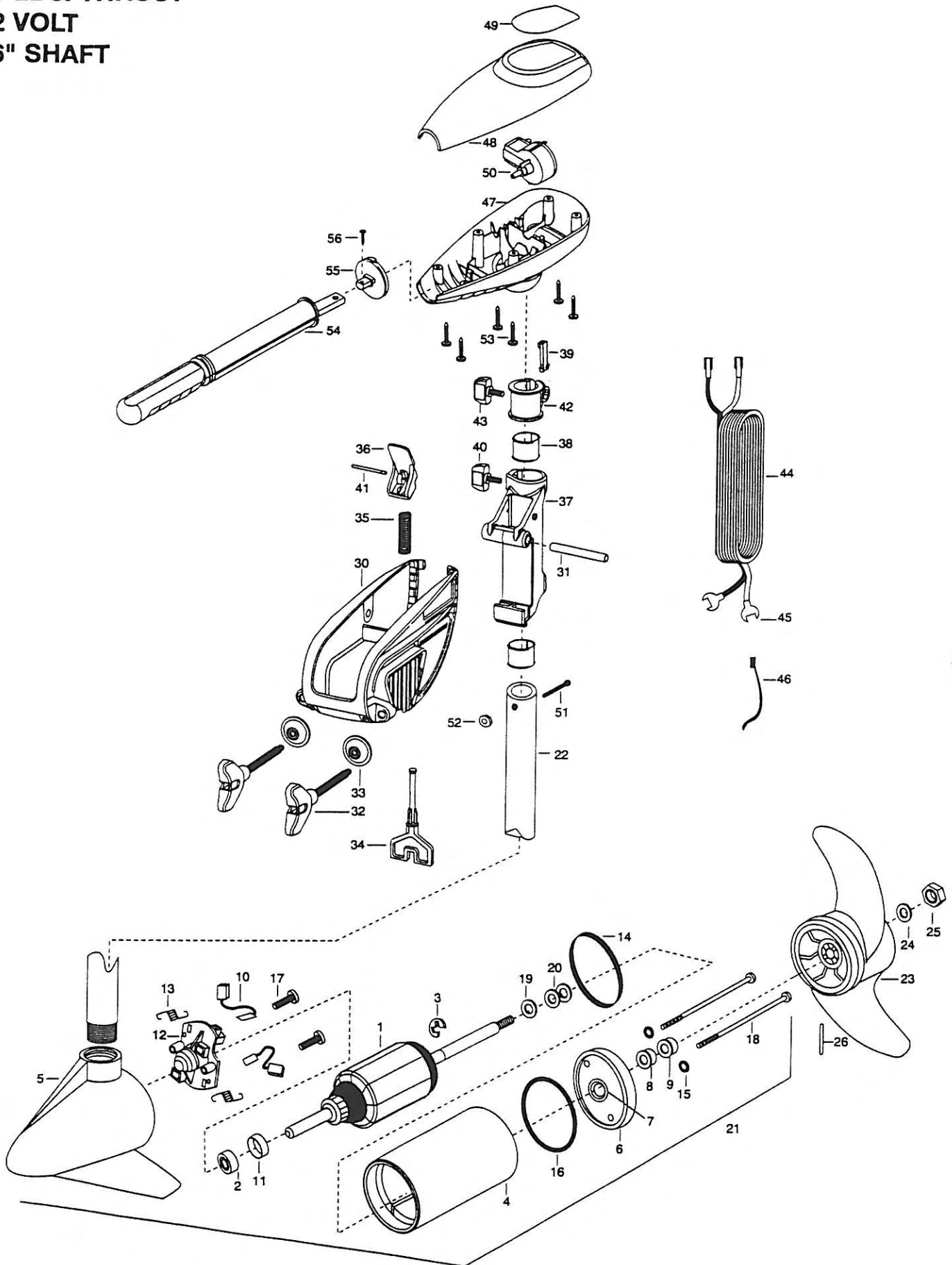


**ENDURA PRO 46**  
**46 LBS. THRUST**  
**12 VOLT**  
**36" SHAFT**



1	2-100-095	ARMATURE ASSEMBLY 12V 3.62 FW	■	2771811	BRACKET & HINGE ASSEMBLY (INCLUDES- 30—41)
2	140-010	BEARING- BALL	■	2771910	BRACKET ASSEMBLY (INCLUDES- 30, 32, 33)
3	788-015	RETAINING RING	*30	2061910	BRACKET ENDURA
4	431-101	HOUSING ASSEMBLY- CENTER	31	2060510	PIN-HINGE ENDURA
5	2-300-196	BRUSH END HOUSING ASSEMBLY 3.62 SPCO	■	2881300	SCREW-CLAMP, WASHER, RETAINER [2.EA] KIT
6	2-400-101	PLAIN END HOUSING ASSEMBLY	*32	2061300	SCREW- CLAMP ENDURA [2.EA]
7	144-049	BEARING- FLANGE, SERVICE ONLY	*33	2011710	WASHER- CLAMP SCREW 1.50D [2.EA]
8	880-003	SEAL	34	2063605	T-BAR, PLASTIC ENDURA
9	880-006	SEAL WITH SHIELD	35	2062706	SPRING- T-BAR ENDURA
10	188-036	BRUSH ASSEMBLY [2.EA]	36	2067200	LEVER-TILT (RED)
11	725-050	BRUSH RETENTION- PAPER TUBE	37	2061810	HINGE-PLASTIC
12	738-036	BRUSH PLATE WITH HOLDER	38	2037301	BUSHING-HINGE [2.EA]
13	975-040	SPRING- TORSION [2.EA]	39	2062800	TENSION BLOCK-SNAP IN
14	337-036	GASKET	40	2011385	SCREW, TENSION/KNOB
15	701-008	O-RING [2.EA]	41	2060515	PIN- TILT LEVER
16	701-081	O-RING	42	2061520	COLLAR-DEPTH ENDURA
17	830-007	SCREW- # 8-32 [2.EA]	43	2011365	SCREW-COLLAR/NEW KNOB
18	830-042	THRU BOLT 10-32 X 8.83 [2EA]	44	2050609	LEADWIRE (10 GA) SPADE TERM
19	990-067	WASHER- STEEL THRUST	45	2020702	SPADE TERMINAL 10 GA. [2.EA]
20	990-070	WASHER- NYLATRON [2.EA]	46	2026300	TIE WRAP
21	2099061	MOTOR ASSEMBLY 12V 3.62 5SPC TXT 47	47	2062510	CONTROL BOX ENDURA
22	2032052	TUBE COMPOSITE 36"	48	2060211	CONTROL BOX COVER- BLACK
■	1378122	PROPELLER- KIT	49	2065629	DECAL COVER- ENDURA PRO 4
*23	2091150	PROP- W. WEDGE	50	2064023	SWITCH-FWD/REV 5 SP
*24	2151726	WASHER- 5/16 STD SS	51	2033400	SCREW-10-24 X 1-3/4 PPH ZP
*25	2053101	NUT- NYLOC 5/16	52	2013110	NUT-10-24 HEX
*26	2092600	PIN-DRIVE	53	2012100	SCREW-8-18 X 5/8 THD CUT [6.EA]
			54	2990901	HANDLE ASSEMBLY 5 SPEED
			55	2060405	PIVOT, HANDLE
			56	2012102	SCREW

\* This item is part of an assembly. This item cannot be sold separately due to machining and /or assembly that is required.

