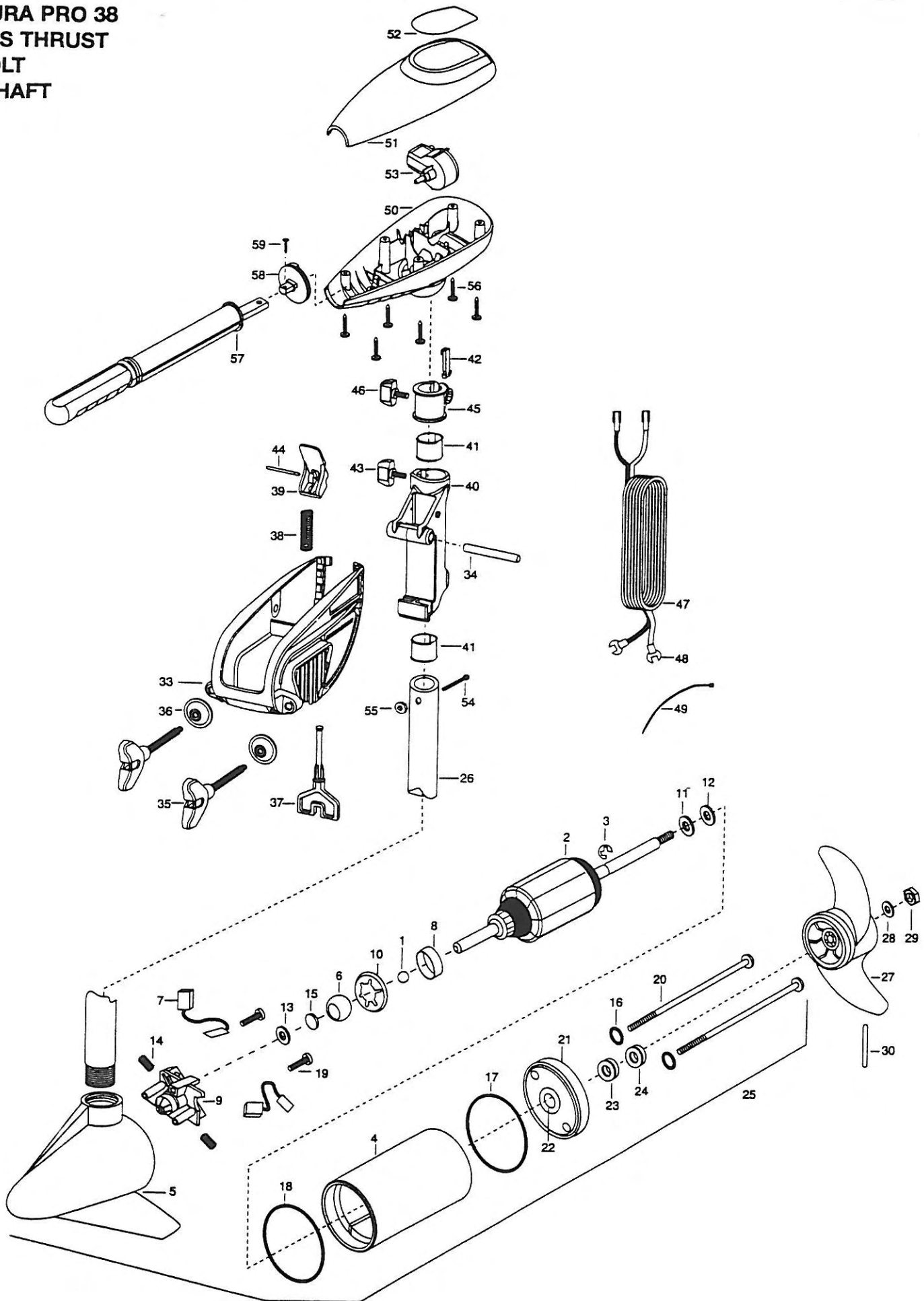


ENDURA PRO 38
38 LBS THRUST
12 VOLT
36" SHAFT



1	116-020	BALL-STEEL		
2	2-100-178	ARMATURE ASSEMBLY 12V 3.25	■	BRACKET & HINGE ASSEMBLY (INCL. 33—45)
3	788-015	RETAINING RING	■	2771910 BRACKET ASSEMBLY (INCL. 33, 35, 36)
4	431-079	HOUSING ASSEMBLY CENTER 3.25 TXT	*33	2061910 BRACKET
5	2-300-132	BRUSH END HOUSING ASSEMBLY 3.25 SP CO	34	2060510 PIN-HINGE
6	144-050	BEARING-SPHERICAL	■	2881300 CLAMP SCREW, WASHER, RETAINER KIT [2.EA]
7	188-052	BRUSH ASSEMBLY [2.EA]	*35	2061300 SCREW-CLAMP [2.EA]
8	725-033	BRUSH RETENTION-PAPER TUBE	*36	2011710 WASHER-CLAMP SCREW [2.EA]
9	737-031	BRUSH PLATE W/HOLDER 3.25 ASSEMBLY INCLUDES 6, 9, 10, 13	37	2063605 T-BAR PLASTIC
10	784-036	BEARING RETAINER	38	2062706 SPRING-T-BAR
11	990-067	WASHER-STEEL THRUST	39	2067200 LEVER-TILT (RED)
12	990-070	WASHER-NYLATRON [2.EA]	40	2061810 HINGE-PLASTIC
13	991-025	WASHER-FELT	41	2037301 BUSHING-HINGE [2.EA]
14	975-032	SPRING-COMPRESSION [2.EA]	42	2062800 TENSION BLOCK-SNAP IN
15	303-039	THRUST DISC-METAL	43	2011385 SCREW-TENSION/KNOB
16	701-007	O-RING [2.EA]	44	2060515 PIN-TILT LEVER
17	701-039	O-RING MK406460	45	2061520 COLLAR-DEPTH ENDURA
18	701-041	O-RING	46	2011365 SCREW-COLLAR/NEW KNOB
19	830-001	SCREW-SELF THREAD 8-32 X 1.7 [2.EA]	47	2050609 LEADWIRE-10 GA SPADE TERM
20	830-078	THRU BOLT 8-32 X 8.96 [2.EA]	48	2020702 TERMINAL-SPADE 10 GA [2.EA]
21	2-400-127	HOUSING-PLAIN END PLAST ASSEMBLY INCL. 21, 22, 23, 24	49	2256300 TIE WRAP
22	144-049	BEARING-FLANGE (SERVICE ONLY)	50	2062510 CONTROL BOX ENDURA
23	880-003	SEAL	51	2060211 CONTROL BOX COVER BLACK
24	880-006	SEAL W/SHIELD	52	2065628 DECAL-COVER ENDURA PRO 3
25	2069041	MOTOR ASSEMBLY 12V 3.25 5SPC TXT	53	2064023 SWITCH-FWD/REV 5 SP
26	2032046	TUBE-COMPOSITE 36*	54	2033401 SCREW-10-24 X 1-3/4 PPH ZP
■	1378121	PROPELLER KIT	55	2013110 NUT-10-24 HEX ZCP
*27	2061121	PROPELLER-3.25 DIA HUB	56	2012100 SCREW-8-18 X 5/8 THD CUT [6.EA]
*28	2151726	WASHER 5/16 SS	57	2990901 HANDLE ASSEMBLY 5 SPEED
*29	2053101	NUT-PROP 5/16	58	2060405 PIVOT-HANDLE
*30	2092600	PIN-DRIVE	59	2012102 SCREW

* This item is part of an assembly. This item cannot be sold separately due to machining and /or assembly that is required.

