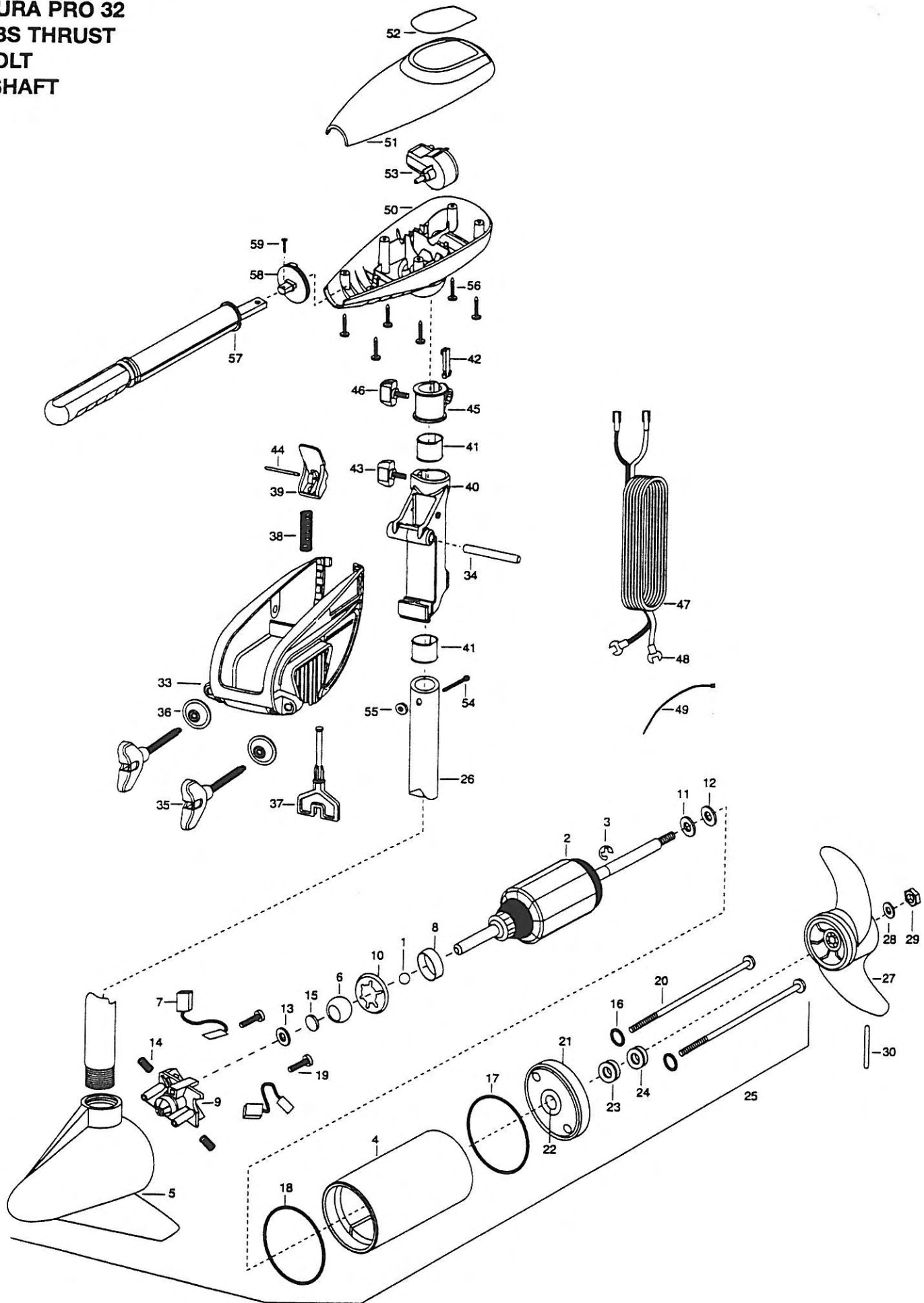


ENDURA PRO 32
32 LBS THRUST
12 VOLT
30" SHAFT



1	116-020	BALL-STEEL			
2	2-100-077	ARMATURE ASSEMBLY 12V 3.25			
3	788-015	RETAINING RING			
4	431-177	CENTER HOUSING ASSEMBLY 3.25 TXT			
5	2-300-142	BRUSH END HOUSING ASSEMBLY 3.25 SP CO			
6	144-050	BEARING-SPHERICAL			
7	188-052	BRUSH ASSEMBLY			
8	725-033	BRUSH RETENTION-PAPER TUBE			
9	737-031	BRUSH PLATE W/HOLDER 3.25 ASSEMBLY			
		INCLUDES 6, 9, 10, 13			
10	784-036	BEARING RETAINER			
11	990-067	WASHER-STEEL			
12	990-070	WASHER-NYLATRON			
13	991-025	WASHER-FELT			
14	975-032	SPRING-COMPRESSION			
15	303-039	THRUST DISC-METAL			
16	701-007	O-RING [2.EA]			
17	701-039	O-RING MK406460			
18	701-041	O-RING			
19	830-001	SCREW-SELF THREAD 8-32 X 1.7 [2.EA]			
20	830-076	THRU BOLT 8-32 X 8.0 [2.EA]			
21	423-127	HOUSING-PLAIN END PLAST ASSEMBLY			
		INCLUDES 21, 22, 23, 24			
22	144-049	BEARING-FLANGE			
23	880-003	SEAL			
24	880-006	SEAL W/SHIELD			
25	2069060	MOTOR ASSEMBLY 12V 3.25 5SPC TXT			
26	2032045	TUBE, COMPOSITE 30"			
	■ 1378121	PROP KIT			
*27	2061121	PROPELLER-3.25 DIA HUB			
*28	2151726	WASHER-5/16 STD SS			
*29	2053101	NUT-NYLOC 5/16 SS			
*30	2092600	PIN-DRIVE			
	■ 2771811	BRACKET & HINGE ASSY (INCLUDES-33—45)			
	■ 2771910	BRACKET ASSEMBLY (INCLUDES-33, 35, 36)			
*33	2061910	BRACKET			
34	2060510	PIN-HINGE			
	■ 2881300	SCREW CLAMP, WASHER, RETAINER KIT [2.EA]			
*35	2061300	SCREW-CLAMP [2.EA]			
*36	2011710	WASHER-CLAMP SCREW [2.EA]			
37	2063605	T-BAR, PLASTIC			
38	2062706	SPRING- (T-BAR)			
39	2067200	LEVER-TILT (RED)			
40	2061810	HINGE-PLASTIC			
41	2037301	BUSHING-HINGE [2.EA]			
42	2062800	TENSION BLOCK-SNAP IN			
43	2011385	SCREW, TENSION/KNOB			
44	2060515	PIN, TILT LEVER			
45	2061520	COLLAR-DEPTH ENDURA			
46	2011365	SCREW-COLLAR/NEW KNOB			
47	2020605	LEADWIRE-14 GA SPADE TERM			
48	2020703	TERMINAL-SPADE 14GA. [2.EA]			
49	2256300	TIE WRAP			
50	2062510	CONTROL BOX ENDURA			
51	2060211	CONTROL BOX COVER BLACK			
52	2065627	DECAL COVER ENDURA PRO 32			
53	2064023	SWITCH-FWD/REV 5 SP			
54	2033401	SCREW-10-24 X 1-3/4 PPH Z/P			
55	2013110	NUT-10-24 HEX ZCP			
56	2012100	SCREW-8-18 X 5/8 THD CUT [6.EA]			
57	2990901	HANDLE ASSEMBLY 5 SPEED			
58	2060405	PIVOT, HANDLE			
59	2012102	SCREW			

* This item is part of an assembly. This item cannot be sold separately due to machining and /or assembly that is required.

