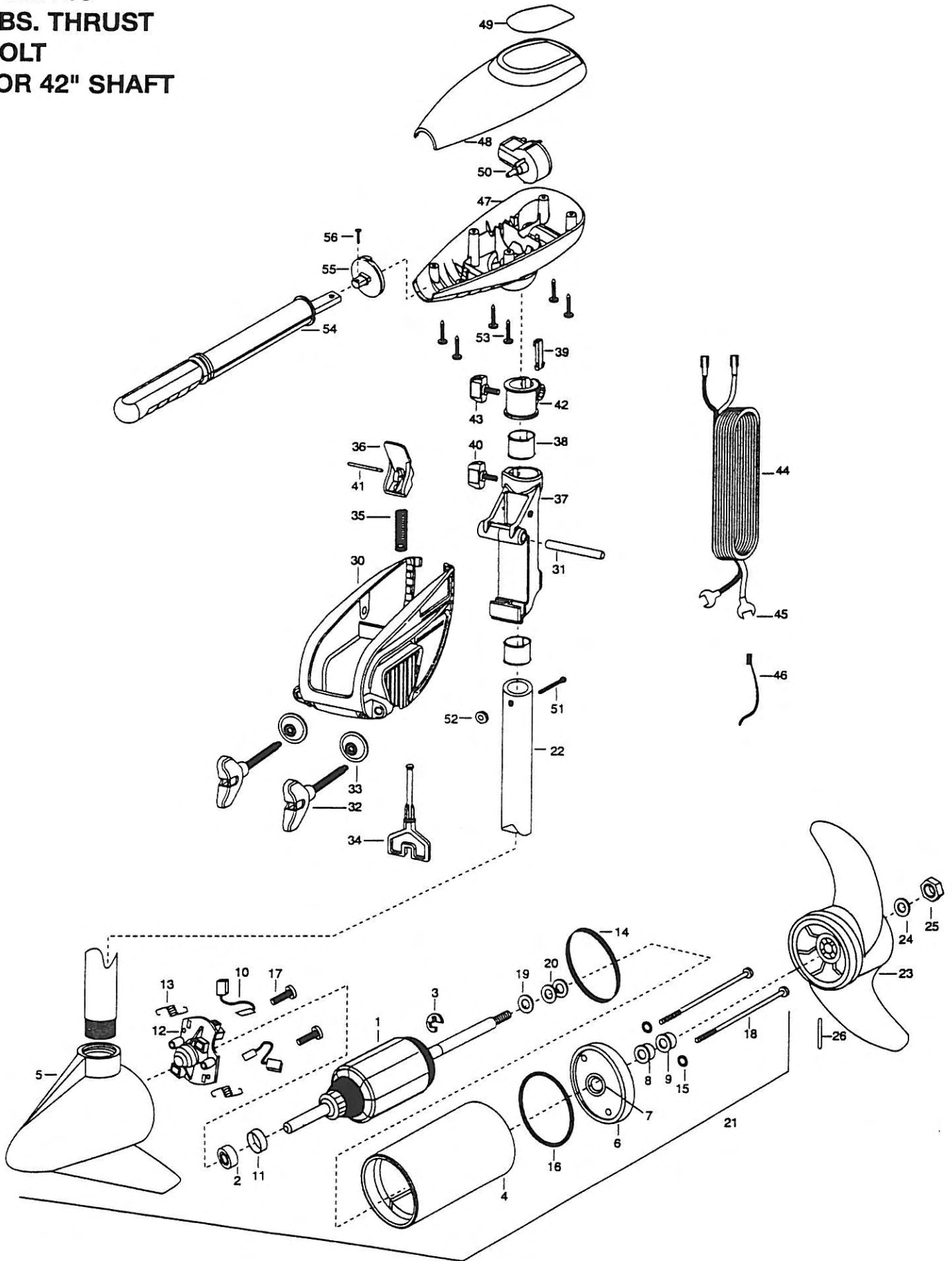


**ENDURA 55**  
**55 LBS. THRUST**  
**12 VOLT**  
**36" OR 42" SHAFT**



1	2-100-013	ARMATURE ASSEMBLY 12V 3.62 FW 44#	■	2771811	BRACKET & HINGE ASSEMBLY (INCLUDES- 30—41)
2	140-010	BEARING- BALL	■	2771910	BRACKET ASSEMBLY (INCLUDES- 30,32,33)
3	788-015	RETAINING RING	*30	2061910	BRACKET
4	2-200-101	CENTER HOUSING ASSEMBLY 3.625 FW TXT	31	2060510	PIN-HINGE
5	2-300-196	BRUSH END HOUSING ASSEMBLY 3.625 SPCO 36"	■	2881300	SCREW-CLAMP, WASHER, RETAINER KIT [2.EA]
	2-300-195	BRUSH END HOUSING ASSEMBLY 3.625 SPCO 42"	*32	2061300	SCREW-CLAMP [2.EA]
6	2-400-101	PLAIN END HOUSING ASSEMBLY 3.625	*33	2011710	WASHER-CLAMP SCREW [2.EA]
7	144-049	BEARING- FLANGE ,SERVICE ONLY	34	2063605	T-BAR, PLASTIC
8	880-003	SEAL	35	2062706	SPRING- (T-BAR)
9	880-006	SEAL WITH SHIELD	36	2067200	LEVER-TILT (RED)
10	188-036	BRUSH ASSEMBLY 3.625 [2.EA]	37	2061810	HINGE-PLASTIC
11	725-050	BRUSH RETENTION- PAPER TUBE	38	2037301	BUSHING-HINGE [2.EA]
12	738-036	BRUSH PLATE WITH HOLDER	39	2062800	TENSION BLOCK-SNAP IN
13	975-040	SPRING- TORSION [2.EA]	40	2011385	SCREW, TENSION/KNOB
14	337-036	GASKET	41	2060515	PIN, TILT LEVER
15	701-008	O-RING [2.EA]	42	2061520	COLLAR-DEPTH
16	701-081	O-RING	43	2011365	SCREW-COLLAR/NEW KNOB
17	830-007	#8-32 SCREW [2.EA]	44	2050609	LEADWIRE 10 GA SPADE TERM
18	830-042	THRU BOLT 10-32 X 8.83 [2EA]	45	2020702	SPADE TERMINAL 10GA. [2.EA]
19	990-067	WASHER- STEEL THRUST	46	2056300	TIE WRAP [2.EA]
20	990-070	WASHER- NYLATRON [2.EA]	47	2062510	CONTROL BOX
21	2099092	MOTOR ASSEMBLY 12V 3.625 5SPC FW 36"	48	2060209	CONTROL BOX COVER-ENDURA
	2099098	MOTOR ASSEMBLY 12V 3.625 5SPC FW 42"	49	2065619	DECAL COVER ENDURA 55
22	2032052	TUBE COMPOSITE 36"	50	2064023	SWITCH-FWD/REV 5 SP
	2032053	TUBE COMPOSITE 42"	51	2033400	SCREW-10-24 X 1-3/4
	■	1378122	52	2013110	NUT-10-24 HEX
		PROPELLER KIT	53	2012100	SCREW-8-18 X 5/8 [6.EA]
*23	2091150	PROPELLER W/WEDGE	54	2990901	HANDLE ASSEMBLY 5 SPEED
*24	2151726	WASHER- 5/16 STD SS	56	2060405	PIVOT, HANDLE
*25	2053101	NUT-PROP NYLOC 5/16 SS	57	2012102	SCREW
*26	2092600	PIN-DRIVE			

\* This item is part of an assembly. This item cannot be sold separately due to machining and /or assembly that is required.

