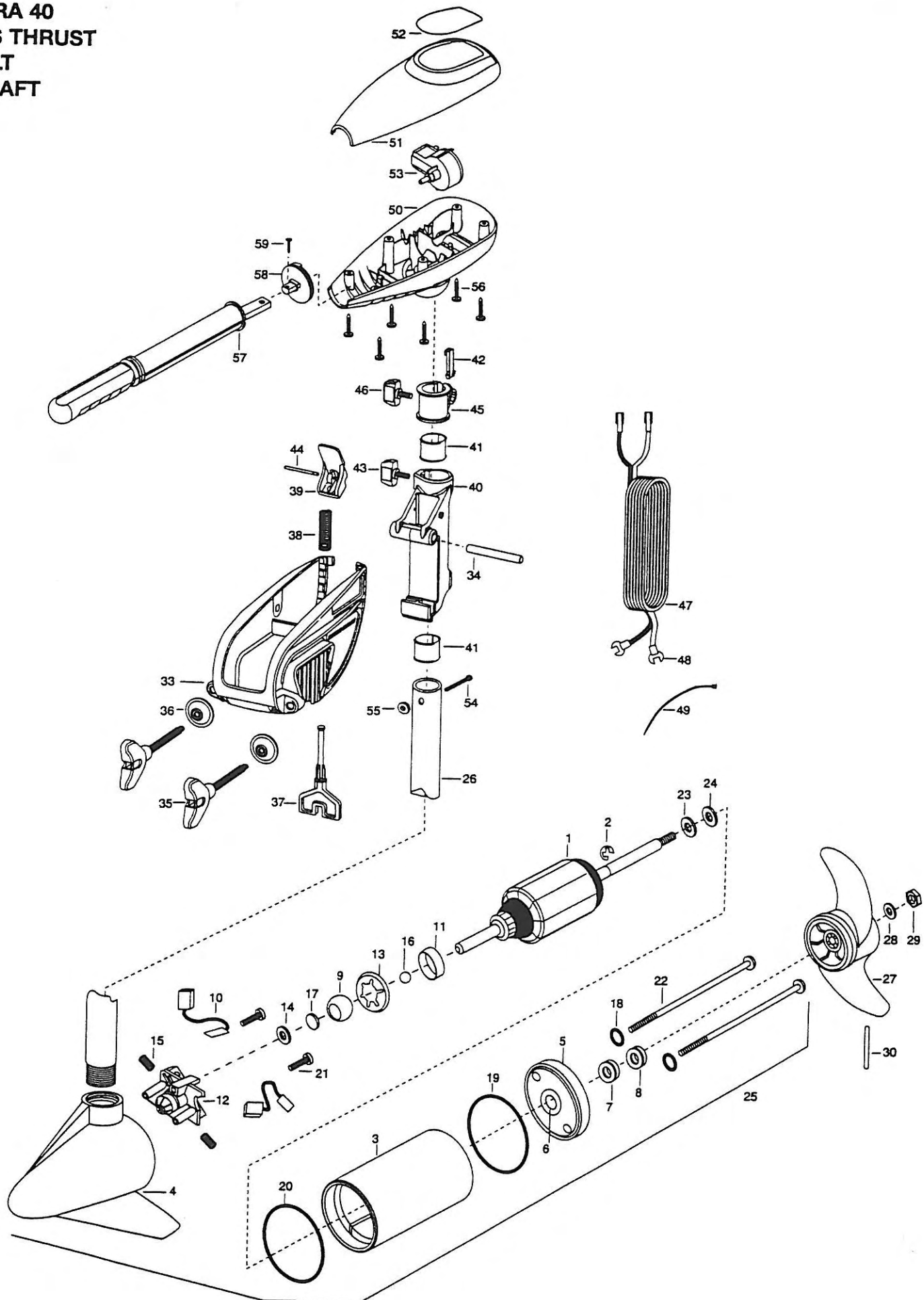


ENDURA 40
40 LBS THRUST
12 VOLT
36" SHAFT



1	2-100-178	ARMATURE ASSEMBLY 12V 3.25 FW SW 36#			
2	788-015	RETAINING RING			
3	431-079	CENTER HOUSING ASSEMBLY 3.25 FW TXT			
4	2-300-132	BRUSH END HOUSING ASSEMBLY 3.25 SP CO			
5	423-127	HOUSING-PLAIN END PLAST			
6	144-049	BEARING-FLANGE			
7	880-003	SEAL			
8	880-006	SEAL W/SHIELD			
9	144-050	BEARING-SPHERICAL			
10	188-052	BRUSH ASSEMBLY [2.EA]			
11	725-033	PAPER TUBE-BRUSH RETENTION			
12	737-031	BRUSH PLATE W/HOLDER 3.25 ASSEMBLY INCLUDES 9, 12, 13, 14			
13	784-036	BEARING RETAINER			
14	991-025	WASHER-FELT			
15	975-032	SPRING-COMPRESSION [2.EA]			
16	116-020	BALL-STEEL			
17	303-039	THRUST DISC-METAL			
18	701-007	O-RING [2.EA]			
19	701-039	O-RING MK406460			
20	701-041	O-RING			
21	830-001	SCREW-#8-32 X 1.75 SELF THREAD [2.EA]			
22	830-078	THRU BOLT 8-32 X 8.96 [2.EA]			
23	990-067	WASHER-STEEL THRUST			
24	990-070	WASHER-NYLATRON [21.EA]			
25	2069041	MOTOR ASSEMBLY 12V 3.25 5SPC TXT			
26	2032046	TUBE, COMPOSITE 36*			
	■ 1378121	PROP KIT			
*27	2061121	PROPELLER 3.25 HUB DIA			
*28	2151726	WASHER-5/16 STD SS			
*29	2053101	NUT-PROP NYLOC			
*30	2092600	PIN-DRIVE			
	■ 2771811	BRACKET & HINGE ASSEMBLY INCLUDES-33—44			
	■ 2771910	BRACKET ASSEMBLY INCLUDES-33, 35, 36			
*33	2061910	BRACKET			
34	2060510	PIN-HINGE			
	■ 2881300	SCREW-CLAMP, WASHER, RETAINER KIT [2.EA]			
*35	2061300	SCREW-CLAMP [2.EA]			
*36	2011710	WASHER-CLAMP SCREW [2.EA]			
37	2063605	T-BAR-PLASTIC			
38	2062706	SPRING-T-BAR			
39	2067200	LEVER-TILT RED			
40	2061810	HINGE-PLASTIC			
41	2037301	BUSHING-HINGE [2.EA]			
42	2062800	TENSION BLOCK-SNAP IN			
43	2011385	SCREW-TENSION/KNOB			
44	2060515	PIN-TILT LEVER			
45	2061520	COLLAR-DEPTH ENDURA			
46	2011365	SCREW-COLLAR/NEW KNOB			
47	2050609	LEADWIRE-10 GA SPADE TERM			
48	2020702	TERMINAL-SPADE 10 GA [2.EA]			
49	2026300	TIE WRAP			
50	2062510	CONTROL BOX-ENDURA			
51	2060209	CONTROL BOX COVER-ENDURA			
52	2065535	DECAL-COVER ENDURA 40			
53	2064023	SWITCH-FWD/REV 5 SP			
54	2033401	SCREW- 10-24 X 1-3/4 SHOULDER			
55	2013110	NUT-10-24 HEX ZCP			
56	2012100	SCREW-8-18 X 5/8 THD CUT [6.EA]			
57	2990901	HANDLE ASSEMBLY 5 SPEED			
58	2060405	PIVOT-HANDLE			
59	2012102	SCREW			

* This item is part of an assembly. This item cannot be sold separately due to machining and /or assembly that is required.

