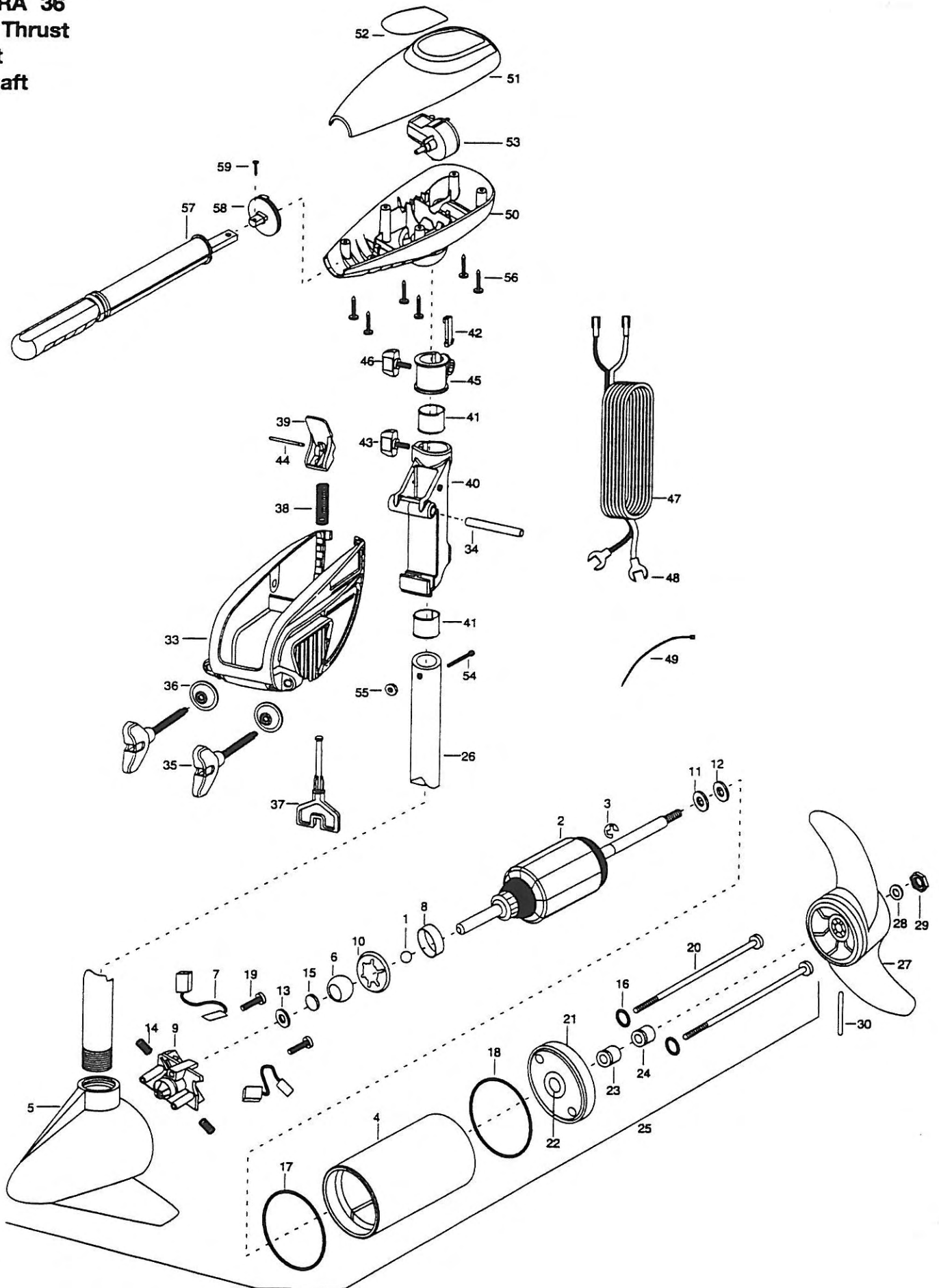


ENDURA 36
36 lbs Thrust
12 Volt
36" Shaft



1	116-020	BALL-STEEL			
2	2-100-178	ARM ASSEMBLY 12V 3.25			
3	788-015	RETAINING RING			
4	431-079	HOUSING ASSEMBLY CENTER 3.25 TXT			
5	2-300-132	BRUSH END HOUSING ASSEMBLY			
6	144-050	BEARING-SPHERICAL			
7	188-052	BRUSH ASSEMBLY [2 EA]			
8	725-033	BRUSH RETENTION			
9	737-031	BRUSH PLATE W/HOLDER 3.25 ASSEMBLY INCLUDES 6, 9, 10, 13			
10	784-036	BEARING RETAINER			
11	990-067	WASHER-STEEL THRUST			
12	990-070	WASHER-NYLATRON [2.EA]			
13	991-025	WASHER-FELT			
14	975-032	SPRING-COMPRESSION [2.EA]			
15	303-039	THRUST DISC-METAL			
16	701-007	O-RING [2. EA]			
17	701-041	O-RING			
18	701-039	O-RING MK406460			
19	830-001	SCREW-SELF-THREAD 8-32 X 1.7 [2.EA]			
20	830-078	THRU BOLT 8-32 X 8.96 [2.EA]			
21	2-400-127	PLAIN END HOUSING ASSEMBLY			
22	144-099	FLANGE BEARING (SERVICE ONLY)			
23	880-003	SEAL			
24	880-006	SEAL WITH SHIELD			
25	2069041	MOTOR ASSEMBLY 12V 3.25 5SPC TXT 47			
26	2032046	TUBE, COMPOSITE 36*			
	■ 1378121	PROP KIT			
*27	2061121	PROPELLER 3.25 HUB DIA			
*28	2151726	WASHER-5/16 STD SS			
*29	2053101	NUT-PROP NYLOC (MED)			
*30	2092600	PIN-DRIVE			
	■ 2771811	BRACKET & HINGE ASSEMBLY (INCLUDES-33—44)			
	■ 2771910	BRACKET ASSEMBLY (INCLUDES-33, 35, 36)			
*33	2061910	BRACKET-ENDURA			
34	2060510	PIN-HINGE ENDURA			
	■ 2881300	SCREW CLAMP, WASHER, RETAINER KIT			
*35	2061300	SCREW-CLAMP ENDURA [2.EA]			
*36	2011710	WASHER-CLAMP SCREW ENDURA [2.EA]			
37	2063605	T-BAR, PLASTIC ENDURA			
38	2062706	SPRING-(T-BAR) ENDURA			
39	2067200	LEVER-TILT RED ENDURA			
40	2061810	HINGE-PLASTIC ENDURA			
41	2037301	BUSHING-HINGE [2.EA]			
42	2062800	TENSION BLOCK-SNAP IN			
43	2011385	SCREW, TENSION/KNOB			
44	2060515	PIN, TILT LEVER			
45	2061520	COLLAR-DEPTH			
46	2011365	SCREW-COLLAR/NEW KNOB			
47	2050609	LEADWIRE-10 GA SPADE TERM			
48	2020702	SPADE TERMINAL 10GA [2.EA]			
49	2256300	TIE WRAP			
50	2062510	CONTROL BOX			
51	2060209	CONTROL BOX COVER			
52	2065534	DECAL-COVER ENDURA 36			
53	2064023	SWITCH-FWD/REV 5 SP			
54	2033401	SCREW-10-24 X 1-3/4 SHOULDER			
55	2013110	NUT-10-24 HEX NYLOC			
56	2012100	SCREW-8-18 X 5/8 [6.EA]			
57	2990901	HANDLE ASSEMBLY 5 SPEED			
58	2060405	PIVOT, HANDLE			
59	2012102	SCREW			

* This item is part of an assembly. This item cannot be sold separately due to machining and /or assembly that is required.

