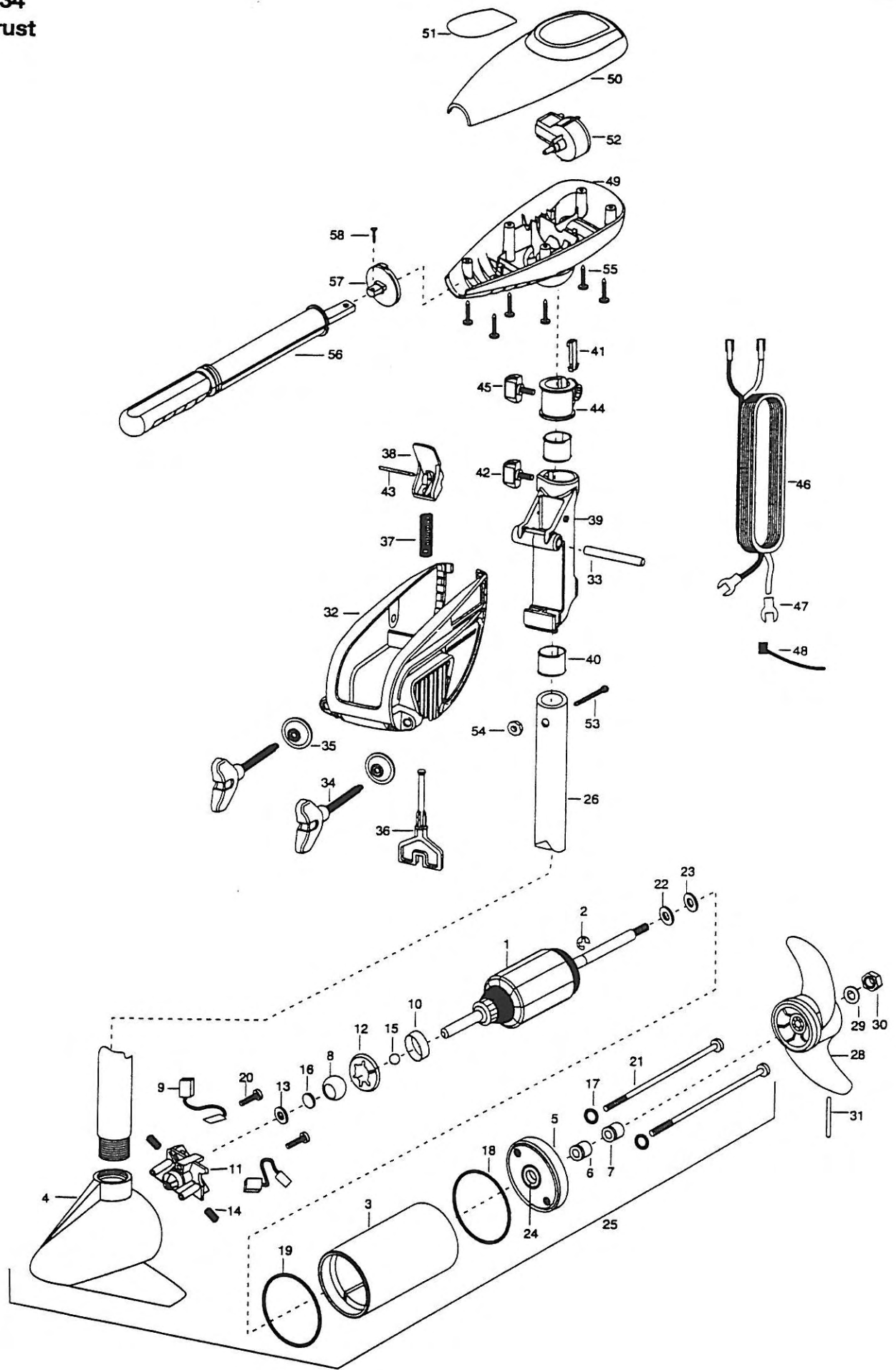


ENDURA 34
34 lbs Thrust
36" Shaft
12 volt



1	2-100-077	ARMATURE ASSEMBLY 12V 3.25 5SPDC TXT	■	2991811	BRACKET & HINGE ASSEMBLY (INCLUDES-32—43)
2	788-015	RETAINING RING	■	2771910	BRACKET ASSEMBLY (INCLUDES- 32, 34, 35)
3	431-177	HOUSING ASSEMBLY CENTER 3.25 TXT	*32	2061910	BRACKET-PLASTIC ENDURA
4	2-300-132	BRUSH END HOUSING ASSEMBLY 3.25 SP CO	33	2060510	PIN-HINGE ENDURA
5	2-400-127	PLAIN END HOUSING ASSEMBLY	*34	2061300	SCREW-CLAMP [2.EA] ENDURA
6	880-003	SEAL	*35	2011710	WASHER-CLAMP SCREW [2.EA]
7	880-006	SEAL W/SHIELD	36	2063605	T-BAR, PLASTIC ENDURA
8	144-050	BEARING-SPHERICAL	37	2062706	SPRING-(T-BAR) ENDURA
9	188-052	BRUSH ASSEMBLY [2.EA]	38	2067200	LEVER-TILT RED ENDURA
10	725-033	PAPER TUBE-BRUSH RETENTION	39	2061810	HINGE-PLASTICENDURA
11	738-030	BRUSH PLATE W/HOLDER 3.25	40	2037301	BUSHING-HINGE [2.EA]
12	784-036	BEARING RETAINER	41	2062800	TENSION BLOCK-SNAP IN
13	991-025	WASHER FELT	42	2011385	SCREW, TENSION/KNOB
14	975-032	SPRING-COMPRESSION [2.EA]	43	2060515	PIN, TILT LEVER
15	116-020	BALL-STEEL	44	2061520	COLLAR-DEPTH ENDURA
16	303-039	THRUST DISK	45	2011365	SCREW-COLLAR/NEW KNOB
17	701-007	O-RING-THRU BOLT [2.EA]	46	2020605	LEADWIRE (14 GA) W/SPADE TERM
18	701-039	O-RING MK406460	47	2020703	SPADE TERMINAL 14GA HD [2.EA]
19	701-041	O-RING	48	2026300	TIE WRAP
20	830-001	SCREW-SELF THREAD 8-32 X 1.7 [2.EA]	49	2062510	CONTROL BOX ENDURA
21	830-076	THRU BOLT 8-32 X 8.0 [2.EA]	50	2060209	CONTROL BOX COVER ENDURA
22	990-067	WASHER-STEEL	51	2065533	DECAL COVER ENDURA 34
23	990-070	WASHER-NYLATRON [2.EA]	52	2064023	SWITCH-FWD/REV 5 SP
24	144-049	FLANGE BEARING (SERVICE ONLY)	53	2033401	SCREW-10-24 X 1-3/4 PPH ZP
25	2069061	MOTOR ASSEMBLY 12V 3.25 5SPC	54	2013110	NUT-10-24 HEX ZCP
26	2032046	TUBE, COMPOSITE 36"	55	2012100	SCREW-8-18 X 5/8 THD CUT [6.EA]
■	1378121	PROPELLER KIT	56	2990901	HANDLE ASSEMBLY 5 SPEED
*28	2061121	PROPELLER-3.25" DIA HUB	57	2060405	PIVOT, HANDLE
*29	2151726	WASHER-5/16 STD SS	58	2012102	SCREW
*30	2053101	NUT-PROP NYLOCK 5/16 (MED) SS			
*31	2092600	PIN-DRIVE SS			

* This item is part of an assembly. This item cannot be sold separately due to machining and /or assembly that is required.

