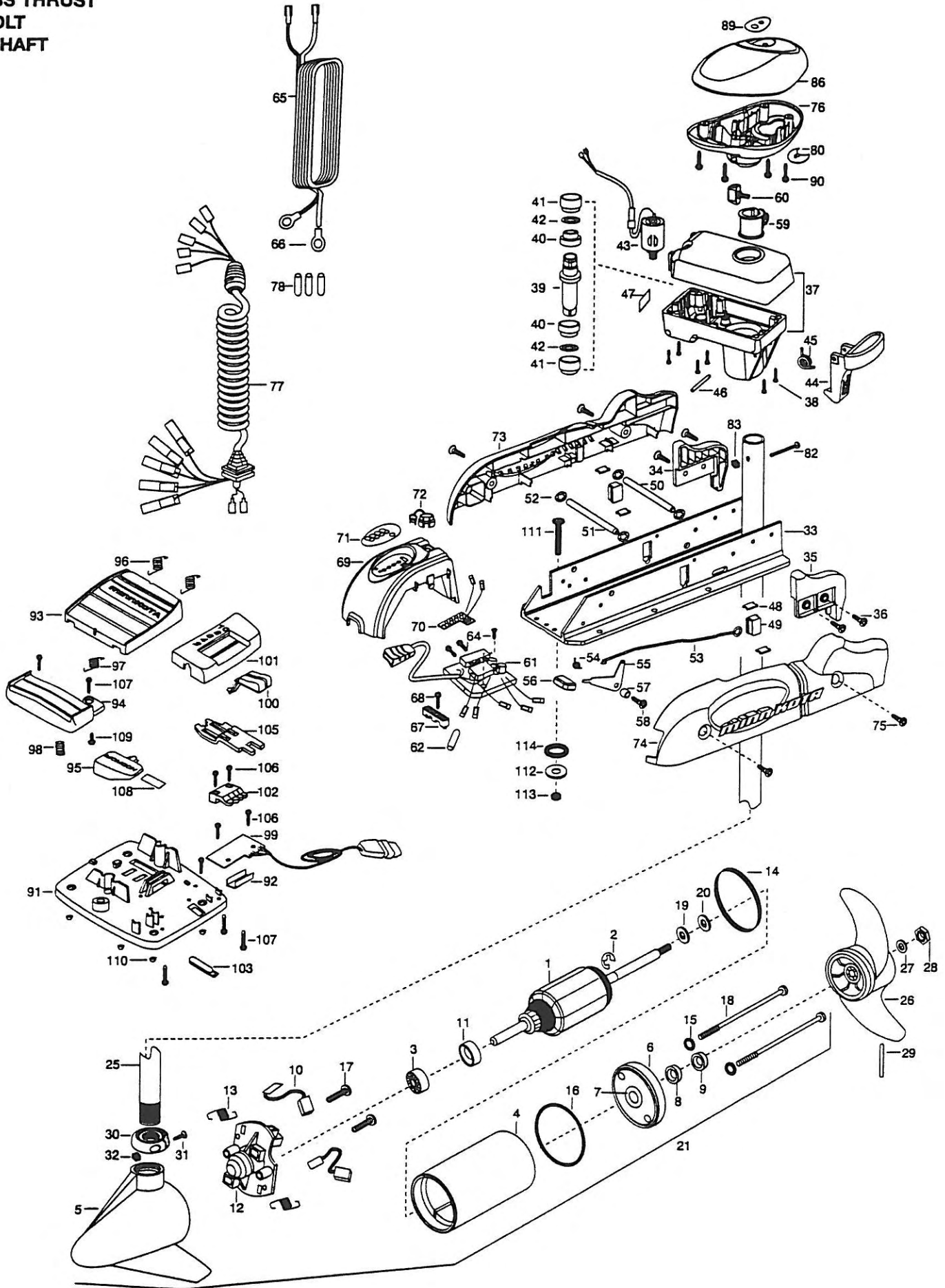


54 PONTOON
54 LBS THRUST
12 VOLT
48" SHAFT



1	2-100-013	ARMATURE ASSEMBLY 12V 3.625 FW	■	2882011	BUSHING/ OUTSHAFT KIT	74	2303948	SIDEPLATE(LEFT) PONTOON
2	788-015	RETAINING RING			(INCLUDES 39-42)	75	2303430	SCREW- 1/4-20 X 5/8- [4.EA]
3	140-010	BALL BEARING	*39	2302010	DRIVE HOUSING OUTPUT SHAFT	76	2302515	CONTROL BOX PD/AP
4	431-101	CENTER HOUSING ASSEMBLY 3.62 TXT	*40	2307304	BUSHING- INNER [2.EA]	77	2991250	COIL CORD WSTRAIN RELIEF 48"
5	421-065	HOUSING BRUSH END 3.62 TXT FW	*41	2307305	BUSHING- OUTER [2.EA]	78	2065400	WIRE INSULATOR- LGE 1-3/4 [3.EA]
6	2-400-101	PLAIN END HOUSING ASSEMBLY 3.625	*42	2304603	O-RING [2.EA]	80	2224700	INSERT- PLUG
7	144-049	BEARING- FLANGE (SERVICE ONLY)	43	2307045	MOTOR- DRIVE HOUSING HIGH SPD	82	2033400	SCREW- 10-24 X 1-3/4 PPH Z/P
8	880-003	SEAL	44	2307205	LATCH HANDLE PD/AP	83	2013110	NUT- HEX 10-24 NYLOC
9	880-006	SEAL WITH SHIELD	45	2302750	SPRING- LATCH TORSION PD/AP	86	2300235	CONTROL BOX COVER- POWERDRIVE
10	188-036	BRUSH ASSEMBLY [2.EA]	46	2302607	PIN- DRIV-LOK GROOVE ZINC TYPE	89	2315667	DECAL- COVER 54 PONTOON
11	725-050	BRUSH RETENTION- PAPER TUBE	47	2305514	DECAL- STOW/DEPLOY	90	2012100	SCREW- 8-18 X 5/8 [4.EA]
12	738-036	BRUSH PLATE W/HOLDER	48	2305110	PAD- PIVOT SUPT [4.EA]	■	2774700	FOOT PEDAL ASSEMBLY
13	975-040	SPRING - TORSION [2.EA]	49	2305101	PIVOT PAD [2.EA]	91	2304511	FOOT PEDAL BASE
14	337-036	GASKET	50	2300500	PIN- LATCH PD BASE	92	2308500	WEAR PLATE FOOT PDL
15	701-008	O-RING, THRU-BOLT [2.EA]	51	2300510	PIN- PIVOT PD BASE	93	2304516	FOOT PEDAL- UPPER
16	701-081	O-RING	52	2013100	NUT- SPEED [4.EA]	94	2304520	FOOT PEDAL- LOWER
17	830-007	SCREW- 8-32 [2.EA]	53	2303612	ROD- RELEASE RT/AP SS	95	2307210	LEVER MOM/CON
18	830-042	THRU-BOLT 10-32 X 8.83 [2.EA]	54	2302700	SPRING- RELEASE LEVER	96	2302730	SPRING- LONG -UPPER PEDAL [2.EA]
19	990-067	WASHER- STEEL THRUST	55	2303710	LEVER- RELEASE	97	2302731	SPRING- SHORT -UPPER PEDAL
20	990-070	WASHER- NYLATRON [2.EA]	56	2300101	RELEASE- KNOB	98	2302732	SPRING- LOWER PEDAL
21	2099090	MOTOR ASSEMBLY 12V 3.625 VARS FW	57	2301700	SPACER- RELEASE LEVER	99	2304012	CONTROL BOARD ASSEMBLY- FT PDL
25	2032075	TUBE- CARBON COMPOSITE 48"	58	2303430	SCREW- 1/4-20 X 5/8	100	2300120	KNOB- SPEED SELECTOR
■	1378122	PROPELLER KIT	59	2031522	COLLAR- DRIVE (W/INSERT)	101	2300121	HOUSING SPEED SELECTOR
26	2091150	PROPELLER W/WEDGE	60	2011365	SCREW- COLLAR/NEW KNOB	102	2302840	ACTUATOR- BOARD
27	2151726	WASHER- 5/16 SS	61	2304041	CTRL BOARD ASSEMBLY- 12V PD/AP	103	2302841	ACTUATOR- MOM/CON
28	2053101	NUT- PROP NYLOC 5/16 SS	62	2355410	SHRINK TUBE- 3/8 ODX2	105	2302842	ACTUATOR- STEERING
29	2092600	PIN-DRIVE	64	2332100	SCREW- 8-32 X 3/8 MACHINE [3.EA]	106	2302100	SCREW- 6-20 X 1/2 [5.EA]
30	2301545	COLLAR- LATCH PD/AP	65	2090601	LEADWIRE 10 GA 44"	107	2372100	SCREW- 8-18 X 5/8 [5.EA]
31	2303434	SCREW- 8-32 X 5/8 MACH PHCR	66	2020700	TERMINAL RING [2.EA]	108	2266610	DECAL- ON/OFF SWITCH
32	2303112	NUT 8-32 NYLOC SS	67	2222906	STRAIN RELIEF- BRACKET PD/AP	109	2335130	BUMPER ACTUATOR
33	2301932	EXTRUSION- BASE MACHINED	68	2303430	SCREW- 1/4-20 X 5/8	110	2994807	BAG ASSEMBLY- 4 RUBBER BUMPERS
34	2303932	MOTOR REST- RIGHT LARGE 3-5/8	69	2306555	HOUSING- CENTER PD/AP	■	2994803	BAG ASSEMBLY- (BOLT, NUT, WASHERS)
35	2303937	MOTOR REST- LEFT LARGE 3-5/8	70	2034025	BATTERY GAUGE- 12 VOLT	*111	2153501	BOLT-MOUNTING- 3500 W/STG [4.EA]
36	2303430	SCREW 1/4-20 X 5/8 SELF TAP [4.EA]	71	2306609	DECAL, BATTERY GAUGE PD/AP	*112	2151726	WASHER- 5/16 [4.EA]
37	2301845	DRIVE HOUSING PD/AP 2001	72	2302935	STRAIN RELIEF-DR. HOUSING	*113	2153100	NUT- 5/16-18 MOUNTING [4.EA]
38	2303405	SCREW- DRIVE HOUSING [6.EA]	73	2303943	SIDEPLATE (RIGHT) PONTOON	*114	2301720	WASHER- MOUNTING RUBBER [6.EA]

* This item is part of an assembly. This item cannot be sold separately due to machining and /or assembly that is required.

PowerDrive Series Wiring Diagrams

40PD, 50PD, 54PD-pontoon, & 55PD
12-volt

