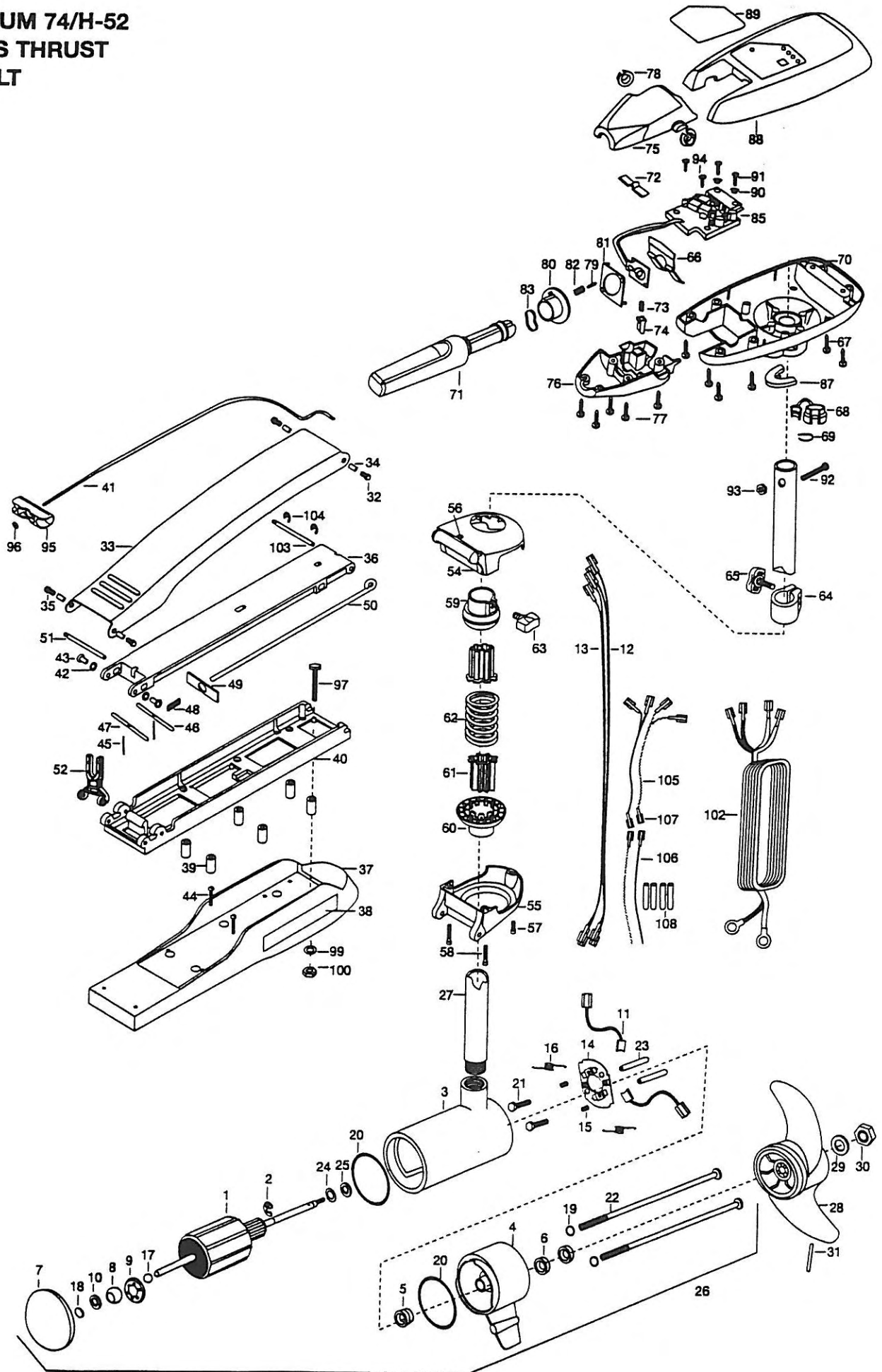


**MAXXUM 74/H-52**  
**74 LBS THRUST**  
**24 VOLT**



1	2-100-103	ARMATURE ASSEMBLY 24V 4" FW SW 74#	35	2263500	BOLT, SHOULDER (MAXXUM) [2.EA]	70	2062586	CONTROL BOX, FW, .875 BORE,
2	788-040	RETAINING RING	36	2994307	ARM-LOWER ASSY, STD, FW, EX	71	2990914	HANDLE ASSEMBLY W/O U-JOINT
3	431-160	HOUSING ASSEMBLY CENTER 4.0 TXT	37	2263912	MOTOR REST STD MAX	72	2302742	SPRING-DETENT (OFF) SS
4	2-300-180	BRUSH END HOUSING ASSEMBLY FW TXT	38	2265514	DECAL-MAXXUM, MOTOR REST [2.EA]	73	2302745	SPRING-RELEASE BUTTON SS
5	144-017	BEARING- FLANGE (SERVICE ONLY)	39	2261505	SPACER, MOTOR REST [6.EA]	74	2303720	RELEASE BUTTON-HANDLE
6	880-025	SEAL [2.EA]	40	2251967	BOWPLATE, STD FW-MACH/INSERT	75	2060409	HANDLE (TOP HALF) MAXIMIZE
7	2-400-160	PLAIN END HOUSING ASSEMBLY	41	2251601	ROPE (40"), MAXXUM MOUNT	76	2060415	HANDLE (LOWER HALF)
8	144-021	BEARING SPHERICAL	42	2261707	WASHER-3/8" X 1/2" X .016 SS [2.EA]	77	2303412	SCREW-6-20 X 5/8 SELF TAP [5.EA]
9	784-025	BEARING RETAINER	43	2236000	BEARING NYLINER- [2.EA]	78	2060005	BEARING-HANDLE PIVOT [2.EA]
10	991-040	WASHER- FELT	44	2263434	SCREW, 8-18 K 1" PPH SS [2.EA]	79	2302600	PIN-ACTUATOR
11	186-094	BRUSH 4." [2.EA]	45	2152610	SPRING-PIN (LOCKBAR) [2.EA]	80	2302850	ACTUATOR-CAM
12	640-015	LEADWIRE- BLK 10 AWG 55 XLP	46	2233600	LOCK BAR- (BOW MOUNT)	81	2302851	ACTUATOR-FWD/REV
13	640-115	LEADWIRE RED 10 AWG 56 1/2	47	2233602	LOCK BAR, REAR - ZINC	82	2302740	SPRING- (ACTUATOR)
14	738-040	BRUSH PLATE	48	2152700	SPRING-(LOCKBAR) CAD. PLT	83	2302741	SPRING-CAM ZNC PLTD STEEL
15	830-028	SCREW- 10-32 X .164 [2.EA]	49	2262703	SPRING STOP MAX	85	2344005	CONTROL BOARD ASSEMBLY
16	975-041	SPRING- TORSION [2.EA]	50	2153602	EYE SHAFT-2LOCKBAR STD	87	2061512	COLLAR-CTRL BOX (FRS-WTR)
17	116-025	BALL- STEEL	51	2260506	HINGE-PIN (HEADLESS) ZINC	88	2990294	CONTROL BOX COVER/DECAL ASSEMBLY
18	303-043	THRUST DISC- METAL	52	2293811	YOKE, MAX MNT-POLYPROPYLE	89	2265535	DECAL COVER, MAXXUM 74/H
19	701-009	O-RING - THRU BOLT [2.EA]	■	2991990	BOWGUARD ASSEMBLY-HAND CTRL	90	2301710	WASHER-INSUL. (TRANSF. BAR) [2.EA]
20	701-043	O-RING [2.EA]	54	2991992	BRACKET BASE TOP/INST	91	2372100	SCREW-8-18 X 5/8 THD* SS [2.EA]
21	830-027	SCREW -SELF THREAD 10-32 X 2 [2.EA]	55	2991993	BRKT BTM/BEARING FW ASSEMBLY	92	2383407	SCREW-10-24 X 2" PPH ZINC
22	830-094	THRU BOLT 12-24 X 10.31 [2.EA]	56	2232351	EYELET-ROPE	93	2383124	NUT-10-24 NYLOC (ZINC)
23	973-025	SPACER- BRUSH PLATE [2.EA]	57	2263402	SCREW 1/4-20 X 3/4" ZINC	94	2301310	SCREW-8-18 X 1/2 SS [2.EA]
24	990-051	WASHER- STEEL	58	2263404	SCREW-1/4-20 X 2 1/4 SHCP [2.EA]	95	2150400	PULL-GRIP (RAW)
25	990-052	WASHER- NYLATRON	59	2261525	SPRING-SLEEVE UPPER	96	2151700	WASHER-EYE SHAFT (.562 OD)
26	2317036	MTR ASSEMBLY 24V 4" VARS TXT FW	60	2261535	SPRING SLEEVE, LOWER	■	2994830	BAG ASSEMBLY-MAXXUM
27	2032081	TUBE-CARBON COMPOSITE 52"	61	2264702	INSERT-TUBE B. MNT [2.EA]	*97	2263431	SCREW 1/4-20 X 3.5 PPH [6.EA]
■	13781289	PROPELLER KIT	62	2262704	SPRING, BOWGUARD, HAND CT	*99	2261713	WASHER-1/4 FLAT SS [6.EA]
*28	2331120	PROPELLER (W.WEDGE)	63	2011365	SCREW-COLLAR/NEW KNOB	*100	2263103	NUT-1/4-20 NYLOCK-JAM SS [6.EA]
*29	2091701	WASHER-PROP (LARGE)	64	2031520	COLLAR-DEPTH (W/O INSERT)	102	2330600	LEADWIRE 10GA. RINGS
*30	2093101	NUT-PROP, NYLOC (LARGE) MAX101	65	2011365	SCREW-COLLAR/NEW KNOB	103	2260513	HINGE PIN- MAX A/T
*31	2092600	PIN-DRIVE SS	66	2302743	SPRING-DETENT(HANDLE-TILT	104	2263010	E-RING 3/8 DIA SHAFT [2.EA]
32	2263500	BOLT, SHOULDER (MAXXUM) [2.EA]	67	2303412	SCREW-6-20 X 5/8 SELF TAP [6.EA]	105	2030317	WIRE EXTENSION 18" RED [2.EA]
■	2771866	MOUNT, BOW ASSY, FW STD	68	2332900	STRAIN RELIEF-C. CORD/C. BX	106	2030316	WIRE EXTENSION 18" BLK [2.EA]
33	2264206	ARM-UPPER FW,STD	69	2303001	RING-PIG (LOXIT HILL #2)	107	2030710	CONNECTOR BUTT [4.EA]
34	2293501	BUSHING, STAINLESS STEEL [4.EA]				108	2375400	SHRINK TUBE 1/4OD X 1-3/4 [4.EA]

\* This item is part of an assembly. This item cannot be sold separately due to machining and /or assembly that is required.

# Maxxum Bowmount Series Wiring Diagrams

Max 74/H  
24-volt

