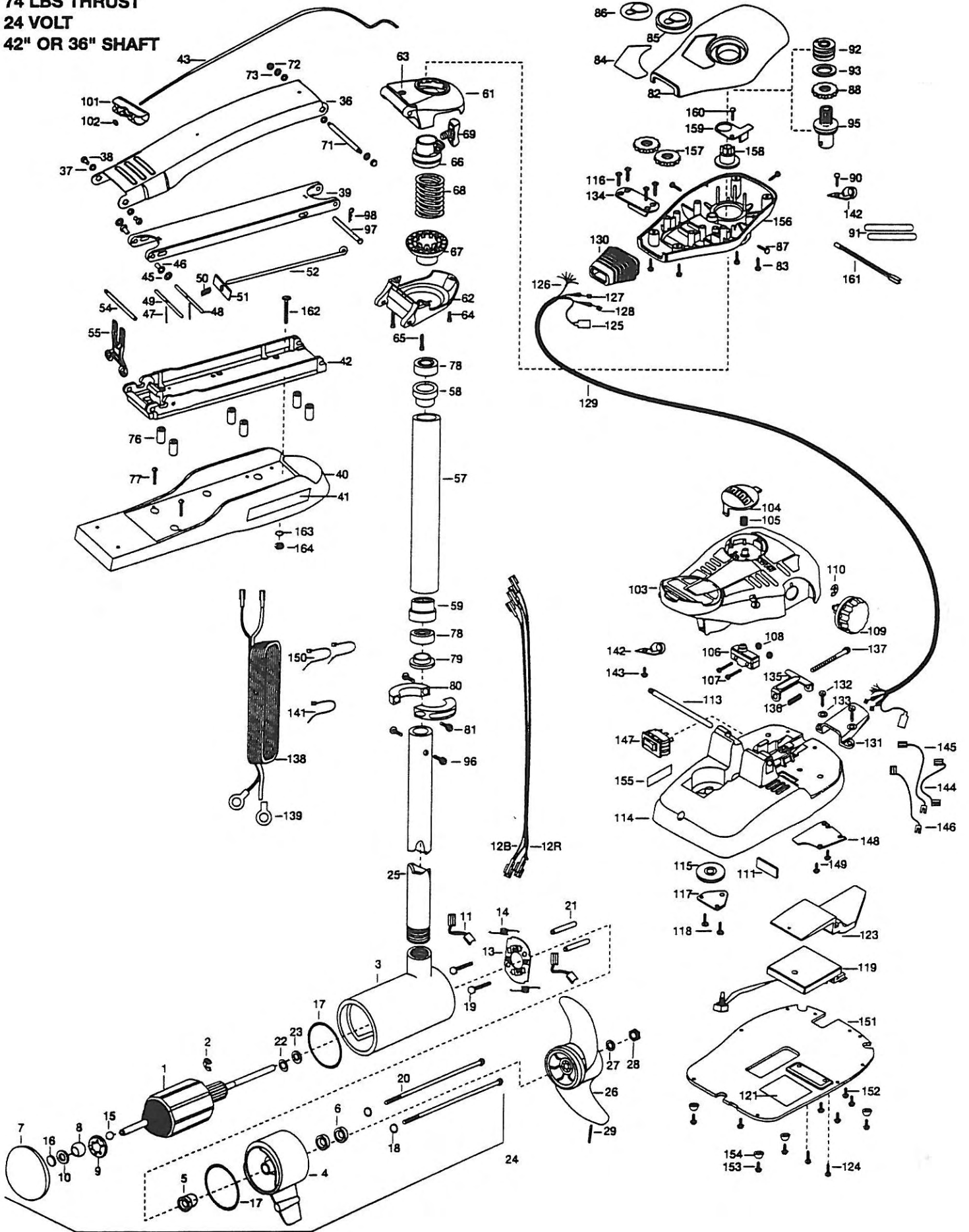


74 MAXXUM
74 LBS THRUST
24 VOLT
42" OR 36" SHAFT



| | | | | | | | | |
|-----|------------|------------------------------------|-----|---------|-----------------------------------|------|---------|-------------------------------------|
| 1 | 2-100-103 | ARMATURE ASSEMBLY 24V 4" | 54 | 2260508 | HINGE-PIN HEADLESS ZINC | 110 | 2263000 | E-RING TRU-ARC #5133-43 |
| 2 | 788-040 | RETAINING RING | 55 | 2293811 | YOKE, MAX MNT-POLYPROPYLENE | *111 | 2266413 | PLATE-TENSION SCREW FT PED. |
| 3 | 431-160 | HOUSING ASSEMBLY CENTER 4.0 TXT | ■ | 2772012 | TUBE W/BEARING RACE ASSEMBLY 42" | 113 | 2260511 | PIN-PIVOT A/T PT PDL |
| | 92-200-170 | HOUSING ASSEMBLY CENTER 4.0-SONAR | | 2772015 | TUBE W/BEARING RACE ASSEMBLY 36" | 114 | 2774550 | FT PEDAL BASE/PIN ASSEMBLY |
| 4 | 2-300-160 | BRUSH END HOUSING ASSEMBLY | 57 | 2272069 | TUBE-OUTER 21" 4 HOLES [FOR 42"] | 115 | 2262301 | PULLEY-FOOT PEDAL |
| 5 | 144-017 | BEARING-FLANGE (SERVICE ONLY) | | 2272068 | TUBE-OUTER 18" 4 HOLES [FOR 36"] | 116 | 2223430 | SCREW-8 X 3/4 PPH TYPE 25 SS [4.EA] |
| 6 | 880-025 | SEAL [2.EA] | 58 | 2266260 | BEARING RACE-(565T) | 117 | 2266400 | COVER-PULLEY STAMPING |
| 7 | 2-400-180 | PLAIN END HOUSING ASSEMBLY | 59 | 2266220 | BEARING RACE-STEEL | 118 | 2301310 | SCREW-8-18 X 1/2 SS [2.EA] |
| | 92-400-170 | PLAIN END HOUSING ASSEMBLY-SONAR | ■ | 2991869 | BOWGUARD ASSEMBLY-FT CTRL, MAX | 119 | 2264008 | CONTROL BOARD ASSEMBLY 24V MAX |
| 8 | 144-021 | BEARING SPHERICAL | 61 | 2772315 | BRACKET BASE TOP/EYELET ASSEMBLY | 121 | 2365107 | INSULATING PAD 2.3 X 3.2 |
| 9 | 784-025 | BEARING RETAINER | 62 | 2991999 | BRKT BOTTOM/BEARING FW ASSEMBLY | 123 | 2264018 | HEAT SINK, MACH, MAX PT |
| 10 | 991-040 | WASHER-FELT | 63 | 2772352 | EYELET KIT-ROPE | 124 | 2283447 | SCREW, 8-32 X 1 [2.EA] |
| 11 | 188-094 | BRUSH [2.EA] | 64 | 2283402 | SCREW 1/4-20 X 3/4 ZINC | 125 | 2211400 | EXTENSION CABLE-SONAR |
| 12B | 640-013 | BRUSH LEAD BLK 10 AWG 51-1/2 | 65 | 2263404 | SCREW-1/4-20 X 2-1/4 SHCP [2.EA] | 126 | 2281219 | WIRE HARNESS AT & MAX 82.5 |
| 12R | 640-117 | BRUSH LEAD RED 10 AWG 53 | 66 | 2261525 | SPRING-SLEEVE UPPER | 127 | 2267500 | CABLE ASSEMBLY-RIGHT 5' |
| 13 | 738-004 | BRUSH PLATE 4" | 67 | 2261535 | SPRING SLEEVE, LOWER | 128 | 2267510 | CABLE ASSEMBLY-LEFT 5' |
| 14 | 975-041 | SPRING-TORSION [2.EA] | 68 | 2262706 | SPRING, BOWGUARD, NIK PL | 129 | 2265430 | CABLE JACKET 5' |
| 15 | 116-025 | BALL-STEEL | 69 | 2011365 | SCREW-COLLAR/NEW KNOB | 130 | 2265110 | BOOT-CONTROL BOX |
| 16 | 303-043 | THRUST DISC | 71 | 2262605 | PIN-THREADED | 131 | 2265115 | BOOT-FOOT PEDAL BASE |
| 17 | 701-043 | O-RING [2.EA] | 72 | 2223100 | NUT-NYLOC [2.EA] | 132 | 2372100 | SCREW-8-18 X 5/8 THD SS [2.EA] |
| 18 | 701-009 | O-RING - THRU BOLT [2.EA] | 73 | 9908236 | WASHER [2.EA] | 133 | 2261714 | WASHER-MAXXUM PT PDL [2.EA] |
| 19 | 830-027 | SCREW-SELF THREAD 10-32 X 2 [2.EA] | ■ | 2994832 | BAG ASSEMBLY | 134 | 2261901 | BRACKET-CONDUIT AT/MAX |
| 20 | 830-094 | THRU BOLT 12-24 X 10.31 [2.EA] | *76 | 2261505 | SPACER, MOTOR REST [6.EA] | 135 | 2263210 | BRACKET-CONDUIT ADJUSTMENT |
| 21 | 973-025 | SPACER-BRUSH PLATE [2.EA] | *77 | 2283434 | SCREW, 8-18 X 1 PPH SS [2.EA] | 136 | 2262720 | SPRING-CONDUIT |
| 22 | 990-051 | WASHER-STEEL | 78 | 2266000 | BEARING BALL-STEEL | 137 | 2263463 | SCREW-1/4-20 X 2 STL PPH |
| 23 | 990-052 | WASHER-NYLATRON | 79 | 2266115 | BEARING CONE | 138 | 2261227 | LEADWIRE VARIABLE |
| 24 | 2317032 | MOTOR ASSEMBLY 24V 4" VARS TXT | 80 | 2771617 | COLLAR HALF-ZINC-2 PER-KIT | 139 | 2020700 | TERMINAL RING, 3/8 [2.EA] |
| | 2327032 | MOTOR ASSEMBLY 24V 4" SONAR | 81 | 2263452 | SCREW-1/4-20 X 3/4 SHCS SS [2.EA] | 141 | 2256300 | TIE WRAP-5.5 BLACK |
| 25 | 2032081 | TUBE COMP W/CSK HOLE 43-3/4 | 82 | 2260283 | CONTROL BOX COVER-MAXXUM | 142 | 2263201 | CLAMP WIRE HARNESS MICRO [2.EA] |
| | 2032082 | TUBE COMP W/CSK HOLE 36" | 83 | 2372100 | SCREW-8-18 X 5/8 THD [4.EA] | 143 | 2332103 | SCREW-6-20 X 3/8 THD SS |
| ■ | 1378129 | PROPELLER KIT | 84 | 2265532 | DECAL COVER, MAXXUM 74 | 144 | 2260316 | CONNECTING WIRE VAR. SPD |
| 26 | 2331120 | PROPELLER W. WEDGE HP & RT | 85 | 2280150 | POINTER DISC TRANSLCNT RED | 145 | 2260312 | WIRE,BLK W/WHT STRP 19 1/2 |
| 27 | 2091701 | WASHER-PROP LARGE | 86 | 2265800 | DECAL-INDICATOR | 146 | 2260323 | WIRE,BLK W/GRN STP VARIAB |
| 28 | 2093101 | NUT-PROP NYLOCK SS | 87 | 2053414 | SCREW-#8-32 X 1/2 TRI-LOBE [3.EA] | 147 | 2254031 | SWITCH-MOM/OFF/COM |
| 29 | 2092600 | PIN-DRIVE SS | 88 | 2267800 | GEAR-INDICATOR | 148 | 2266412 | SWITCH PLATE, PT PEDAL |
| ■ | 2771840 | MOUNT, BOW ASSEMBLY, FW STD W/BG | 90 | 2301310 | SCREW-8-18 X 1/2 SS | 149 | 2332103 | SCREW-8-20 X 3/8 THD SS [2.EA] |
| 36 | 2264241 | ARM UPPER-FW STD | 91 | 2355410 | SHRINK TUBE-3/8 OD X 2-[2.EA] | 150 | 2256301 | TIE WRAP-5.5 WHITE [2.EA] |
| 37 | 2283501 | BUSHING, STAINLESS STEEL [4.EA] | 92 | 2232360 | PULLEY-CABLE DRUM | 151 | 2264510 | BOTTOM PLATE, MAXXUM PT |
| 38 | 2263500 | BOLT, SHOULDER MAXXUM [2.EA] | 93 | 2261730 | WASHER-NYLON | 152 | 9953104 | SCREW-8 X 1/2 PPH SS [5.EA] |
| 39 | 2774315 | ARM-LOWER ASSEMBLY, STD, FW, EXT | 95 | 2996246 | PINION/RACE ASSEMBLY | 153 | 2263455 | SCREW #12 [4.EA] |
| 40 | 2263912 | MOTOR REST STD MAXXUM | 96 | 2263410 | SCREW-8-32 X 5/16 ZN PL [2.EA] | 154 | 2265128 | BUMPER [4.EA] |
| 41 | 2265514 | DECAL-MAXXUM, MOTOR REST [2.EA] | 97 | 2262607 | PIN-CLEVIS ZN | 155 | 2266610 | DECAL-ON/OFF SWITCH |
| 42 | 2773987 | BOWPLATE-FW STD MACH/INSERT | 98 | 2260801 | SPRING CLIP ZN | 156 | 2262535 | CONTROL BOX-PLASTIC AT'S |
| 43 | 2251601 | ROPE 40" MAXXUM MOUNT | 101 | 2150400 | PULL-GRIP | 157 | 2267800 | GEAR-INDICATOR [2.EA] |
| 45 | 2261708 | WASHER-3/8 X 1/2 X .016 [2.EA] | 102 | 2151700 | WASHER-EYE SHAFT .562 OD | 158 | 2262220 | INDICATOR-DRIVE |
| 46 | 2236000 | BEARING NYLINER-[2.EA] | 103 | 2790002 | FOOT PEDAL/PLUG ASSEMBLY | 159 | 2261905 | BRACKET/INDICATOR |
| 47 | 2152610 | SPRING-PIN LOCKBAR [2.EA] | 104 | 2263700 | PUSH-BUTTON FOOT PEDAL | 160 | 2301310 | SCREW-8-18 X 1/2 SS |
| 48 | 2233600 | LOCK BAR-BOW MOUNT | 105 | 2302732 | SPRING-LOWER PEDAL SS | 161 | 2264015 | LIGHT/INDICATOR |
| 49 | 2233602 | LOCK BAR-REAR ZINC | 106 | 2264023 | SWITCH-SEALED ASSEMBLY | ■ | 2994830 | BAG ASSEMBLY-MAXXUM |
| 50 | 2152700 | SPRING-LOCKBAR CAD. PLT | 107 | 2262114 | SCREW-MOUNTING/SWITCH [2.EA] | *162 | 2263431 | SCREW 1/4-20 X 3.5 PPH [6.EA] |
| 51 | 2262703 | SPRING STOP | 108 | 2233100 | NUT-SWITCH MOUNT [2.EA] | *163 | 2261713 | WASHER-1/4 FLAT S/S [6.EA] |
| 52 | 2153602 | EYE SHAFT-2LOCKBAR STD-PLTD | 109 | 2260160 | KNOB-SPEED CONTROL VAR | *164 | 2263103 | NUT-1/4-20 NYLOCK-JAM [6.EA] |

* This item is part of an assembly. This item cannot be sold separately due to machining and /or assembly that is required.

Seal & O-Ring Kit P/N 2889460

Max 74
24-volt

