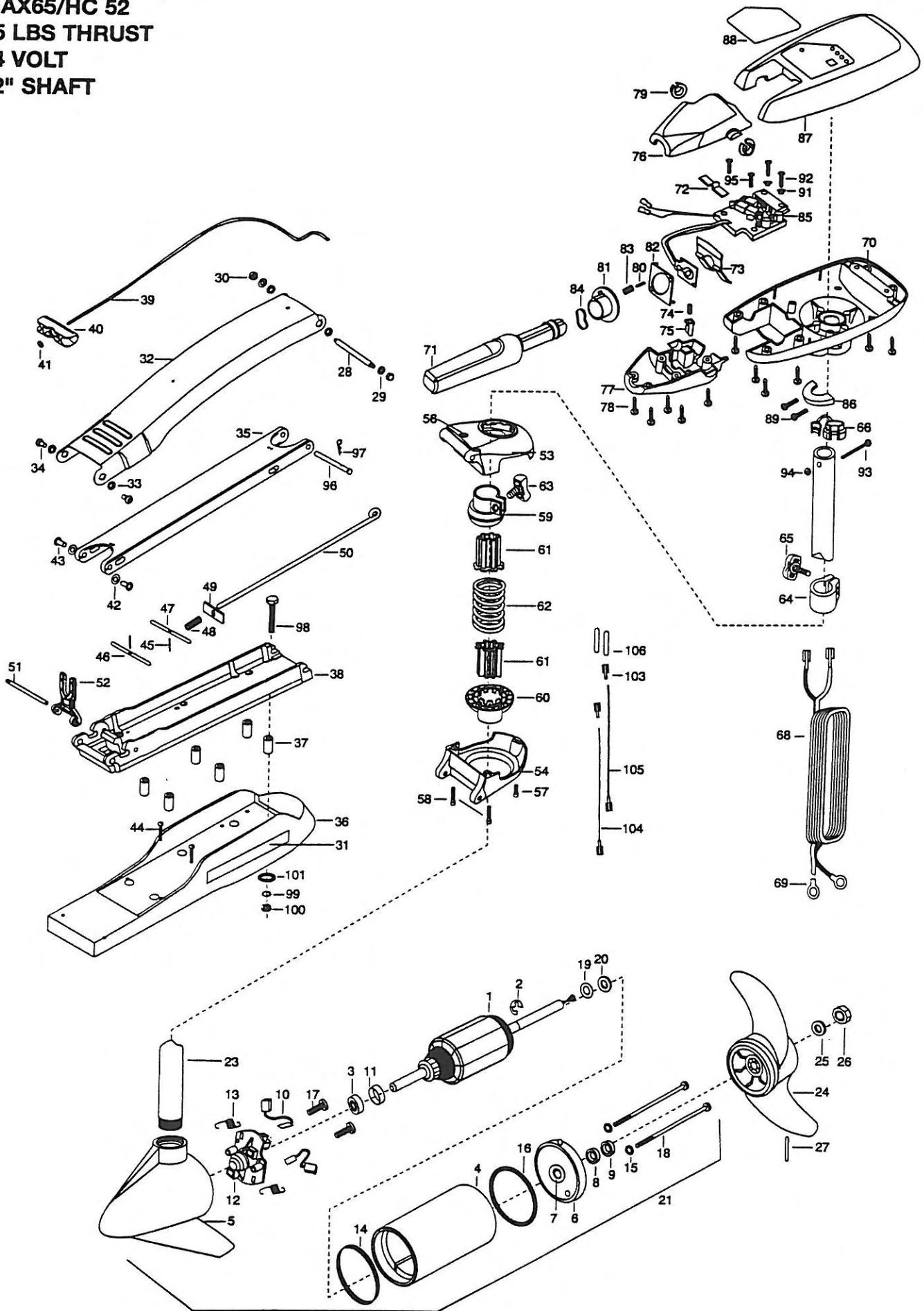


MAX65/HC 52
65 LBS THRUST
24 VOLT
52" SHAFT



1	2-100-009	ARMATURE ASSEMBLY	36	2263912	MOTOR REST MAXXUM	73	2302743	SPRING-DETENT (HANDLE-TILT)
2	788-015	RETAINING RING	37	2261505	SPACER, MOTOR REST [6.EA]	74	2302745	SPRING-RELEASE BUTTON
3	140-010	BALL BEARING	38	2773987	BOWPLATE W/INSERT	75	2303720	RELEASE BUTTON-HANDLE
4	431-005	CENTER HOUSING ASSEMBLY	39	2251601	ROPE (40"), MAXXUM MOUNT	76	2060409	HANDLE (TOP HALF)
5	421-065	HOUSING BRUSH END 3.62 TXT	40	2150400	PULL-GRIP	77	2060415	HANDLE (LOWER HALF)
6	2-400-101	PLAIN END HOUSING ASSEMBLY	41	2151700	WASHER-EYE SHAFT (.562 OD)	78	2303412	SCREW-6-20 X 5/8 SELF TAP [11.EA]
7	144-049	BEARING-FLANGE (SERVICE ONLY)	42	2261708	WASHER-3/8 X 1/2 X.010 [2.EA]	79	2060005	BEARING-HANDLE PIVOT [2.EA]
8	880-003	SEAL	43	2236000	BEARING NYLINER-[2.EA]	80	2302600	PIN-ACTUATOR
9	880-006	SEAL WITH SHIELD	44	2263434	SCREW, 8-18 X 1 PPH SS [2.EA]	81	2302850	ACTUATOR-CAM
10	188-036	BRUSH ASSEMBLY [2.EA]	45	2152610	SPRING-PIN (LOCKEAR) [2.EA]	82	2302851	ACTUATOR-FWD/REV
11	725-050	BRUSH RETENTION-PAPER TUBE	46	2233600	LOCK BAR-(BOW MOUNT)	83	2302740	SPRING-(ACTUATOR)
12	738-038	BRUSH PLATE W/HOLDER	47	2233602	LOCK BAR, REAR-ZINC	84	2302741	SPRING-CAM (ZNC PLTH STEEL)
13	975-040	SPRING-TORSION [2.EA]	48	2152700	SPRING-(LOCKBAR) CAD. PLTD	85	2194006	CTRL BOARD ASSEMBLY MAX65/HC
14	337-036	GASKET	49	2262703	SPRING STOP MAXXUM	86	2061515	COLLAR-CTRL BOX (FRS-WTR)
15	701-008	O-RING, THRU-BOLT [2.EA]	50	2153602	EYE SHAFT-2LOCKBAR STD PLTD	87	2260290	CTRL BOX CVR-BLACK
16	701-081	O-RING	51	2260506	HINGE-PIN (HEADLESS) ZINC	88	2185605	DECAL-COVER (MAX 65/HC)
17	830-007	SCREW-8-32 [2.EA]	52	2293811	YOKE, MAX MNT-POLYPROPYLENE	89	2223430	SCREW-#8 X 3/4 PPH TYPE 25 SS [2.EA]
18	830-008	THRU-BOLT 10-32 X 9.2 [2.EA]	■	2991866	BOWGUARD ASSEMBLY-HAND CTRL	91	2301710	WASHER-INSUL. (TRANSF. BAR) [2.EA]
19	990-067	WASHER-STEEL THRUST	53	2772315	BRKT BASE TOP/EYELET ASSEMBLY	92	2372100	SCREW-8-18 X 5/8 THD [2.EA]
20	990-070	WASHER-NYLATRON [2.EA]	54	2991993	BRKT BTM/BEARING FW ASEMBLY	93	2383407	SCREW-10-24 X 2 PPH ZINC
21	2098030	MOTOR ASSMBLY 24V 3.625 VARS 65#	56	2772352	EYELET-KIT	94	2383124	NUT-10-24 NYLOCK
23	2032068	TUBE COMPOSITE 52"	57	2263402	SCREW 1/4-20 X 3/4(ZINC)	95	2301310	SCREW-8-18 X 1/2 [2.EA]
■	1378122	PROPELLER KIT	58	2263404	SCREW-1/4-20 X 2 1/4 [2.EA]	96	2262607	PIN-CLEVIS ZP MAXXUM BG
*24	2091150	PROPELLER W/WEDGE	59	2261525	SPRING-SLEEVE UPPER	97	2260801	CLIP-SPRING ZP MAX BG
*25	2151726	WASHER-5/16 SS	60	2261535	SPRING SLEEVE, LOWER	■	2994830	BAG ASSEMBLY-MAXXUM INCL 98-101
*26	2053101	NUT-PROP NYLOC	61	2264702	INSERT-TUBE (2 PER) B. MNT	*98	2263431	SCREW 1/4-20 X 3.5 PPH [6.EA]
*27	2092600	PIN-DRIVE (95-4HP'S)	62	2262704	SPRING, BOWGUARD, HAND CT	*99	2261713	WASHER-1/4 FLAT S/S [6.EA]
28	2262605	PIN-BWGRDE UPPER THREADED ZP	63	2011365	SCREW-COLLAR/NEW KNOB	*100	2263103	NUT-1/4-20 NYLOCK-JAM S/S [6.EA]
29	9908236	WASHER-1/4 FLAT ZINC [2.EA]	64	2031520	COLLAR-DEPTH (W/O INSERT)	*101	2301720	WASHER-MOUNTING*RUBBER [6.EA]
30	2223100	NUT-TENSION 5/16-18 SS [2.EA]	65	2011365	SCREW-COLLAR/NEW KNOB	103	2030710	CONNECTOR BUTT-[2.EA]
31	2265514	DECAL- MAXXUM MOTOR REST [2.EA]	66	2052900	STRAIN RELIEF-C.CORD/SP.C	104	2030317	WIRE EXTENSION-18"-RED
■	2771866	MOUNT, BOW ASSEMBLY W/BOWGRD	68	2090600	LEADWIRE (10 GA) RINGS	105	2030316	WIRE EXTENSION-18"-BLACK
32	2264241	ARM-UPPER FW, STD	69	2020700	TERMINAL RING, 3/8 [2.EA]	106	2375400	SHRINK TUBE-1/4 OD X 1-3/4 [2.EA]
33	2293501	BUSHING, STAINLESS STEEL [4.EA]	70	2062592	CONTROL BOX, FW, .725 BORE			
34	2263500	BOLT, SHOULDER (MAXXUM) [2.EA]	71	2990914	HANDLE ASSEMBLY W/O U-JOINT			
35	2774307	ARM-LOWER ASSEMBLY, STD, FW,	72	2302742	SPRING-DETENT (OFF)			

* This item is part of an assembly. This item cannot be sold separately due to machining and /or assembly that is required.

Max 65/H
24-volt

