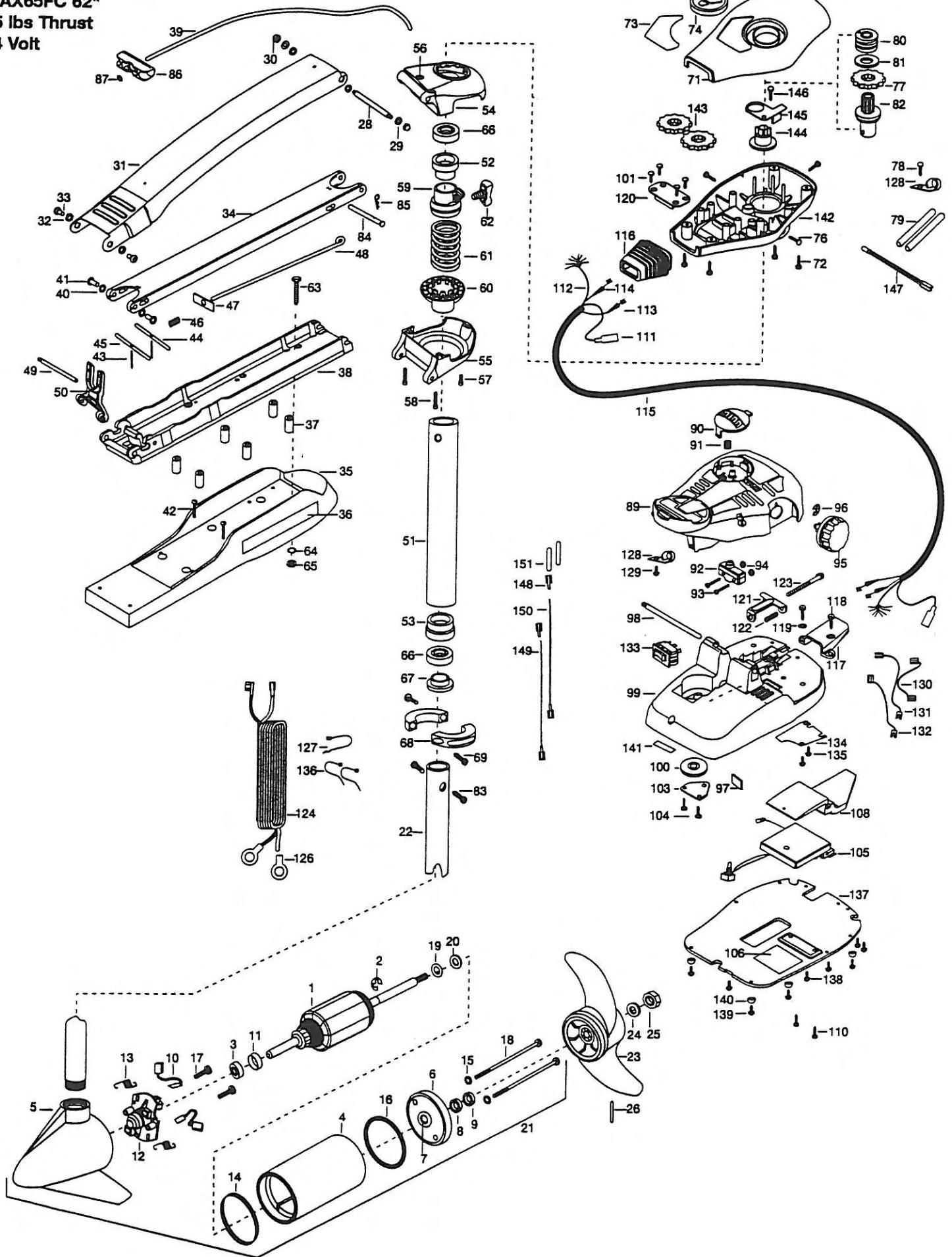


MAX65FC 52" SONAR
MAX65FC 62"
65 lbs Thrust
24 Volt



1	2-100-009	ARMATURE ASSEMBLY	47	2262703	SPRING STOP-MAXXUM	95	2260160	KNOB-SPEED CONTROL (VAR)
2	788-015	RETAINING RING	48	2153604	EYE SHAFT-2LOCKBAR LG PLTD	96	2263000	E-RING THU-ARC
3	140-010	BALL BEARING	49	2260506	HINGE-PIN HEADLESS ZINC	97	2266413	TENSION SCREW PLATE FT PEDAL
4	431-005	CENTER HOUSING ASSEMBLY	50	2293811	YOKE-MAXXUM MOUNT, POLYPROPYLENE	*98	2260511	PIN-PIVOT A/T FT PDL
5	8421-168	HOUSING BRUSH END 3.62 SONAR 52"	■	2772016	TUBE W/BEARING RACE ASSEMBLY 52"	99	2774550	FT PEDAL BASE/PIN ASSEMBLY
	421-065	HOUSING BRUSH END 3.62		2772014	TUBE W/BEARING RACE ASSEMBLY 62"	100	2262301	PULLEY-FOOT PEDAL
6	2-400-101	PLAIN END HOUSING ASSEMBLY	51	2272067	TUBE OUTER-24" 4 HOLES 52"	101	2223430	SCREW-#8 X 3/4 PPH TYPE 25 SS [4.EA]
7	144-049	BEARIN-FLANGE (SERVICE CENTER ONLY)		2272068	TUBE OUTER-34" 4 HOLES 62"	103	2268400	COVER-PULLEY
8	880-003	SEAL	52	2266260	BEARING RACE	104	2301310	SCREW-8-18 X 1/2 [4.EA]
9	880-006	SEAL WITH SHIELD	53	2266220	BEARING RACE-STEEL	105	2264008	CNTROL BOARD ASSEMBLY 24V MAX 65/FC
10	188-036	BRUSH ASSEMBLY [2.EA]	■	2991869	BOWGUARD ASSEMBLY- FT CTRL, FW 52"	106	2365107	INSULATING PAD (2.3 X 3.2)
11	725-050	BRUSH RETENTION-PAPER TUBE		2991867	BOWGUARD ASSEMBLY- FT CTRL, FW 62"	108	2264018	HEAT SINK-MACH, MAX FTL
12	738-036	BRUSH PLATE W/HOLDER	54	2772315	BRACKET BASE TOP/INSERT ASSEMBLY	110	2263447	SCREW-8-32 X 1" [2.EA]
13	975-040	SPRING-TORSION [2.EA]	55	2991999	BRKT BOTTOM/BEARING FW ASSEMBLY 52"	111	2211400	EXTENSION CABLE-SONAR ONLY
14	337-036	GASKET		2991993	BRKT BOTTOM/BEARING FW ASSEMBLY 62"	112	2281219	WIRE HARNESS AT & MAX
15	701-008	O-RING, THRU-BOLT [2.EA]	56	2772352	EYELET-ROPE KIT	113	2267500	CABLE ASSEMBLY-RIGHT (5')
16	701-081	O-RING	57	2263402	SCREW-1/4-20 X 3/4" ZINC	114	2267510	CABLE ASSEMBLY- LEFT (5')
17	830-007	SCREW-8-32 [2.EA]	58	2263404	SCREW-1/4-20 X 2 1/4 SCHP SS [2.EA]	115	2265430	CABLE JACKET (5')
18	830-008	THRU-BOLT 10-32 X 9.2 [2.EA]	59	2261525	SPRING SLEEVE-UPPER	116	2265110	BOOT-CONTROL BOX
19	990-067	WASHER-STEEL THRUST	60	2261535	SPRING SLEEVE-LOWER	117	2265115	BOOT-FOOT PEDAL BASE
20	990-070	WASHER-NYLATRON [2.EA]	61	2262706	SPRING-BOWGUARD, NIK PL	118	2372100	SCREW-8-18 X 5/8 THD [2.EA]
21	2098031	MOTOR ASSEMBLY 24V F/W 52"	62	2011365	SCREW-COLLAR/NEW KNOB	119	2261714	WASHER-MAXXUM FT PDL [2.EA]
	2108031	MOTOR ASSEMBLY 24V F/W 52" SONAR	■	2994830	BAG ASSEMBLY- MAXXUM	120	2261901	BRACKET-CONDUIT
	2098030	MOTOR ASSEMBLY 24V F/W 62"	*63	2263431	SCREW-1/4-20 X 3.5 PPH [6.EA]	121	2263210	BRACKET-CONDUIT ADJUST
22	2032067	TUBE-COMPOSITE 52" W/CSK HOLE	*64	2261713	WASHER-1/4 FLAT S/S [6.EA]	122	2262720	SPRING-CONDUIT ADJUST
	2032066	TUBE-COMPOSITE 62" W/CSK HOLE	*65	2263103	NUT-1/4-20 NYLOCK-JAM SS [6.EA]	123	2263463	SCREW-1/4-20 X 2" STL PPH
■	1378122	PROPELLER KIT	■	2994832	BAG ASSEMBLY- MAX 101 62"	124	2261227	LEADWIRE-A/T VARIABLE
*23	2091150	PROPELLER W. WEDGE	66	2266000	BEARING BALL-STEEL [2.EA]	126	2020700	TERMINAL RING-3/8" [2.EA]
*24	2151726	WASHER-5/16 SS	*67	2268115	BEARING CONE	127	2256300	TIE WRAP-5.5' BLACK
*25	2053101	NUT-PROP NYLOC	*68	2281618	COLLAR HALF-ZINC [2.EA]	128	2263201	CLAMP WIRE HARNESS MICRO [2.EA]
*26	2092600	PIN-DRIVE	*69	2263452	SCREW-1/4-20 X 3/4 [2.EA]	129	2332103	SCREW- 6-20 X 3/8 THD (SS)
28	2262605	PIN-BWGRD UPPER THREADED ZP	71	2260283	CONTROL BOX COVER-MAXXUM	130	2260316	CONNECTING WIRE (VAR. SPD)
29	9908236	WASHER-1/4 FLAT ZINC [2.EA]	72	2372100	SCREW-8-18 X 5/8 THD [4.EA]	131	2260312	WIRE-BLK W/WHT STRP 19-1/4"
30	2223100	NUT-TENSION 5/16-18 SS [2.EA]	73	2265620	DECAL-COVER MAX 65/FC	132	2260323	WIRE-BLK W/GRN STP VARIABLE
■	2771869	MOUNT-BOW ASSEMBLY, LONG FW MAX 52"	74	2260150	POINTER DISC TRANSLCNT RED	133	2254031	SWITCH-MOM/OFF/CON
	2771864	MOUNT-BOW ASSEMBLY, LONG FW MAX 62"	75	2265800	DECAL-INDICATOR	134	2266412	SWITCH PLATE-FT PEDAL
31	2264246	ARM-UPPER LONG FW	76	2053414	SCREW-8-32 X 1/2 TRI-LOBE [3. EA]	135	2332103	SCREW-8-20 X 3/8 THD SS [2.EA]
32	2293501	BUSHING-STAINLESS STEEL [4.EA]	77	2267800	GEAR-INDICATOR	136	2258301	TIE WRAP-5.5" WHITE [2.EA]
33	2263500	BOLT-SHOULDER MAXXUM [2.EA]	78	2301310	SCREW-8-18 X 1/2	137	2774510	BOTTOM PLATE-MAXXUM FT
34	2774317	ARM-LOWER ASSEMBLY, LONG, FW, EXTRA [INCLUDES 39, 43-47, 86, 87]	79	2355410	SHRINK TUBE-3/8 OD X 2" [2.EA]	138	9953104	SCREW-8 X 1/2" (SS) [5.EA]
35	2263913	MOTOR REST LONG FW	80	2232360	PULLEY-CABLE DRUM	139	2263455	SCREW-#12-14 X 1/2 THR FRM [4.EA]
36	2265514	DECAL-MAXXUM MOTOR REST [2.EA]	81	2261730	WASHER-NYLON A/T CON	140	2265126	BUMPER PAD-FOOT PEDAL [4.EA]
37	2261505	SPACER- MOTOR REST [6.EA]	82	2996246	TOP BEARING RACE/PINION DRIVE	141	2266610	DECAL-ON/OFF SWITCH
38	2773986	BOWPLATE-W/INSERT	83	2263410	SCREW-8-32 X 5/16 [2.EA]	142	2262535	CONTROL BOX-PLASTIC
39	2251601	ROPE (40"), MAXXUM MOUNT	84	2262607	PIN-CLEVIS ZP MAXXUM BWGRD	143	2267800	GEAR-INDICATOR [2.EA]
40	2261708	WASHER- 3/8 X 1/2 X .010 SS [2.EA]	85	2260801	CLIP-SPRING ZP MAX BG	144	2262220	INDICATOR-DRIVE
41	2236000	BEARING NYLINER [2.EA]	86	2150400	PULL-GRIP	145	2261905	BRACKET/INDICATOR
42	2263434	SCREW, 8-18 X 1" PPH [2.EA]	87	2151700	WASHER-EYE SHAFT (.562 OD)	146	2301310	SCREW- 8-18 X 1/2"
43	2152610	SPRING-PIN LOCKBAR [2.EA]	89	2790002	FOOT PEDAL/PLUG ASSEMBLY	147	2264015	LIGHT/INDICATOR
44	2233600	LOCK BAR-BOW MOUNT	90	2263700	PUSH-BUTTON FOOT PEDAL		62" ONLY	
45	2233602	LOCK BAR REAR-ZINC	91	2302732	SPRING-LOWER PEDAL	148	2030710	CONNECTOR BUTT [2.EA]
46	2152700	SPRING-LOCKBAR CAD. PLTD	92	2264023	SWITCH-SEALED ASSEMBLY	149	2030317	WIRE EXTENSION 18" RED
			93	2262114	SCREW-MOUNTING/SWITCH [2.EA]	150	2030316	WIRE EXTENSION 18" BLACK
			94	2233100	NUT-SWITCH MOUNT [2.EA]	151	2375400	SHRINK TUBE 1/4 OD X 1-3/4 [2.EA]

* This item is part of an assembly. This item cannot be sold separately due to machining and /or assembly that is required.

Max 65
24-volt

