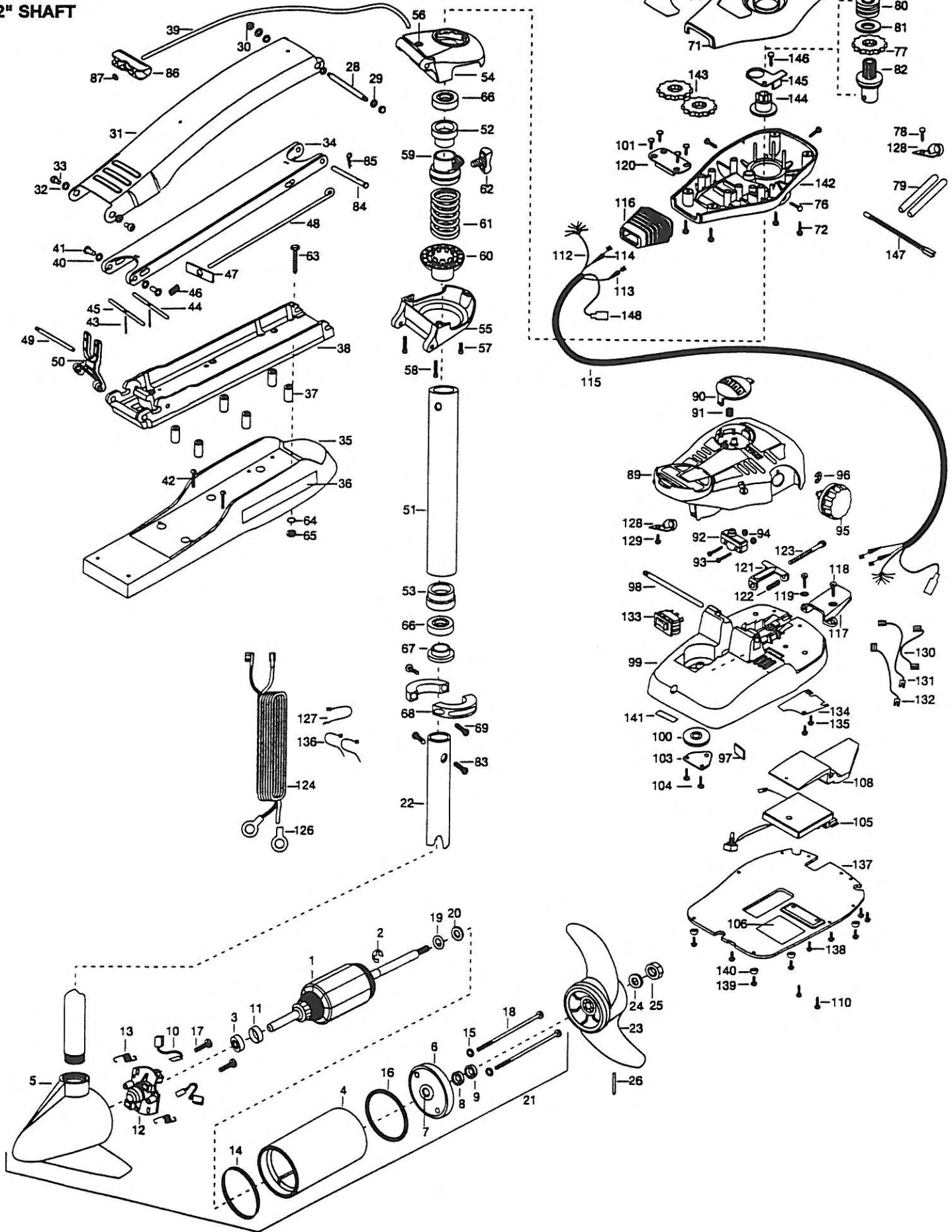


MAX65FC 42
65 lbs Thrust
24 Volt
42" SHAFT



1	2-100-009	ARMATURE ASSEMBLY	47	2262703	SPRING STOP-MAXXUM	95	2260160	KNOB-SPEED CONTROL (VAR)
2	788-015	RETAINING RING	48	2153602	EYE SHAFT-2LOCKBAR STD	96	2263000	E-RING THU-ARC
3	140-010	BALL BEARING	49	2260506	HINGE-PIN HEADLESS ZINC	97	2266413	TENSION SCREW PLATE FT PEDAL
4	431-005	CENTER HOUSING ASSEMBLY	50	2293811	YOKE-MAXXUM MOUNT, POLYPROPYLENE	*98	2260511	PIN-PIVOT A/T FT PDL
5	421-065	HOUSING BRUSH END 3.62 TXT	■	2772012	TUBE W/BEARING RACE ASSEMBLY	99	2774550	FT PEDAL BASE/PIN ASSEMBLY
	9421-165	HOUSING BRUSH END 3.62 SONAR	51	2272069	TUBE OUTER-21" 4 HOLES	100	2262301	PULLEY-FOOT PEDAL
6	2-400-101	PLAIN END HOUSING ASSEMBLY	52	2266260	BEARING RACE	101	2223430	SCREW-#8 X 3/4 PPH TYPE 25 SS [4.EA]
7	144-049	BEARING-FLANGE (SERVICE CENTER ONLY)	53	2266220	BEARING RACE-STEEL	103	2266400	COVER-PULLEY
8	880-003	SEAL	■	2991869	BOWGUARD ASSEMBLY- FT CTRL, FW	104	2301310	SCREW-8-18 X 1/2 [4.EA]
9	880-006	SEAL WITH SHIELD	54	2772315	BRACKET BASE TOP/EYELET ASSEMBLY	105	2284008	CNTRL BOARD ASSEMBLY 24V MAX65/FC
10	188-036	BRUSH ASSEMBLY [2.EA]	*55	2991999	BRKT BOTTOM/BEARING FW ASSEMBLY	108	2365107	INSULATING PAD (2.3 X 3.2)
11	725-050	BRUSH RETENTION-PAPER TUBE	56	2772352	EYELET-KIT	108	2264018	HEAT SINK-MACH, MAX FTL
12	738-036	BRUSH PLATE W/HOLDER	57	2263402	SCREW-1/4-20 X 3/4" ZINC	110	2263447	SCREW- 8-32 X 1" [2.EA]
13	975-040	SPRING-TORSION [2.EA]	58	2263404	SCREW-1/4-20 X 2 1/4 SCHP SS [2.EA]	112	2261219	WIRE HARNESS AT & MAX
14	337-036	GASKET	59	2261525	SPRING SLEEVE-UPPER	113	2267500	CABLE ASSEMBLY-RIGHT (5')
15	701-008	O-RING, THRU-BOLT [2.EA]	60	2261535	SPRING SLEEVE-LOWER	114	2267510	CABLE ASSEMBLY-LEFT (5')
16	701-081	O-RING	61	2262708	SPRING-BOWGUARD, NIK PL	115	2265430	CABLE JACKET (5')
17	830-007	SCREW-8-32 [2.EA]	62	2011365	SCREW-COLLAR/NEW KNOB	116	2265110	BOOT-CONTROL BOX
18	830-008	THRU-BOLT 10-32 X 9.2 [2.EA]	■	2994830	BAG ASSEMBLY-MAXXUM	117	2265115	BOOT-FOOT PEDAL BASE
19	990-087	WASHER-STEEL THRUST	*63	2263431	SCREW-1/4-20 X 3.5 PPH [6.EA]	118	2372100	SCREW-8-18 X 5/8 THD [2.EA]
20	990-070	WASHER-NYLATRON	*64	2281713	WASHER-1/4 FLAT S/S [6.EA]	119	2261714	WASHER-MAXXUM FT PDL [2.EA]
21	2098030	MOTOR ASSEMBLY 24V F/W 51.5" LDS	*65	2263103	NUT-1/4-20 NYLOCK-JAM SS [6.EA]	120	2261901	BRACKET-CONDUIT
	2108030	MOTOR ASSEMBLY 24V F/W SONAR	66	2266000	BEARING BALL-STEEL [2.EA]	121	2263210	BRACKET-CONDUIT ADJUST
22	2032061	TUBE-COMPOSITE W/CSK HOLE 43-3/4	*67	2266115	BEARING CONE	122	2262720	SPRING-CONDUIT ADJUST
■	1378122	PROPELLER KIT	*68	2261619	COLLAR HALF-ZINC [2.EA]	123	2263463	SCREW-1/4-20 X 2" STL PPH
*23	2091150	PROPELLER W. WEDGE	*69	2263452	SCREW-1/4-20 X 3/4 [2.EA]	124	2261227	LEADWIRE- A/T VARIABLE
*24	2151726	WASHER-5/16 SS	71	2260283	CONTROL BOX COVER-MAXXUM	128	2020700	TERMINAL RING-3/8" [2.EA]
*25	2053101	NUT-PROP NYLOC	72	2372100	SCREW-8-18 X 5/8 THD [4.EA]	127	2256300	TIE WRAP-5.5" BLACK
*26	2092600	PIN-DRIVE	73	2265620	DECAL-COVER MAX65/FC	128	2263201	CLAMP WIRE HARNESS MICRO [2.EA]
28	2262605	PIN-BWGRD UPPER THREADED ZP	74	2260150	POINTER DISC TRNSLCNT RED	129	2332103	SCREW-6-20 X 3/8 THD (SS)
29	9908236	WASHER-1/4 FLAT ZINC [2.EA]	75	2265800	DECAL-INDICATOR	130	2260316	CONNECTING WIRE (VAR. SPD)
30	2223100	NUT-TENSION 5/16-18 SS [2.EA]	76	2053414	SCREW-8-32 X 1/2 TRI-LOBE [3. EA]	131	2260312	WIRE-BLK W/WHT STRP 19-1/4"
■	2771840	MOUNT- BOW ASSEMBLY, STD FW MAX	77	2267800	GEAR-INDICATOR	132	2260323	WIRE-BLK W/GRN STP VARIABLE
31	2264241	ARM-UPPER STD FW	78	2301310	SCREW-8-18 X 1/2	133	2254031	SWITCH-MOM/OFF/CON
32	2293501	BUSHING-STAINLESS STEEL [4.EA]	79	2355410	SHRINK TUBE-3/8 OD X 2" [2.EA]	134	2266412	SWITCH PLATE-FT PEDAL
33	2263500	BOLT-SHOULDER MAXXUM [2.EA]	80	2232360	PULLEY-CABLE DRUM	135	2332103	SCREW-6-20 X 3/8 THD SS [2.EA]
34	2774315	ARM-LOWER ASSEMBLY, STD, FW, EXTRA [INCLUDES 39, 43-47, 86, 87]	81	2261730	WASHER-NYLON A/T CON	136	2256301	TIE WRAP-5.5" WHITE [2.EA]
			82	2996246	TOP BEARING RACE/PINION DRIVE	137	2774510	BOTTOM PLATE-MAXXUM FT
35	2263912	MOTOR REST (STD) FW	83	2263410	SCREW-8-32 X 5/16 [2.EA]	138	9953104	SCREW-8 X 1/2" (SS) [5.EA]
36	2265514	DECAL-MAXXUM MOTOR REST [2.EA]	84	2262607	PIN-CLEVIS ZP MAXXUM BWGRD	139	2263455	SCREW-#12-14 X 1/2 THR FRM [4.EA]
37	2261505	SPACER-MOTOR REST [6.EA]	85	2260801	CLIP-SPRING ZP MAX BG	140	2265126	BUMPER PAD-FOOT PEDAL [4.EA]
38	2773987	BOWPLATE-W/INSERT	86	2150400	PULL-GRIP	141	2266610	DECAL-ON/OFF SWITCH
39	2251601	ROPE (40"), MAXXUM MOUNT	87	2151700	WASHER- EYE SHAFT (.562 OD)	142	2262535	CONTROL BOX-PLASTIC
40	2261708	WASHER-3/8 X 1/2 X .010 SS [2.EA]	89	2790002	FOOT PEDAL/PLUG ASSEMBLY	143	2267800	GEAR-INDICATOR [2.EA]
41	2236000	BEARING NYLINER [2.EA]	90	2263700	PUSH-BUTTON FOOT PEDAL	144	2262220	INDICATOR-DRIVE
42	2263434	SCREW, 8-18 X 1" PPH [2.EA]	91	2302732	SPRING-LOWER PEDAL	145	2261905	BRACKET/INDICATOR
43	2152810	SPRING-PIN LOCKBAR [2.EA]	92	2264023	SWITCH-SEALED ASSEMBLY	146	2301310	SCREW-8-18 X 1/2"
44	2233600	LOCK BAR-BOW MOUNT	93	2262114	SCREW-MOUNTING/SWITCH [2.EA]	147	2264015	LIGHT/INDICATOR
45	2233602	LOCK BAR REAR-ZINC	94	2233100	NUT-SWITCH MOUNT [2.EA]	148	2211400	EXTENSION CABLE-SONAR
46	2152700	SPRING-LOCKBAR CAD. PLTD						

* This item is part of an assembly. This item cannot be sold separately due to machining and /or assembly that is required.

