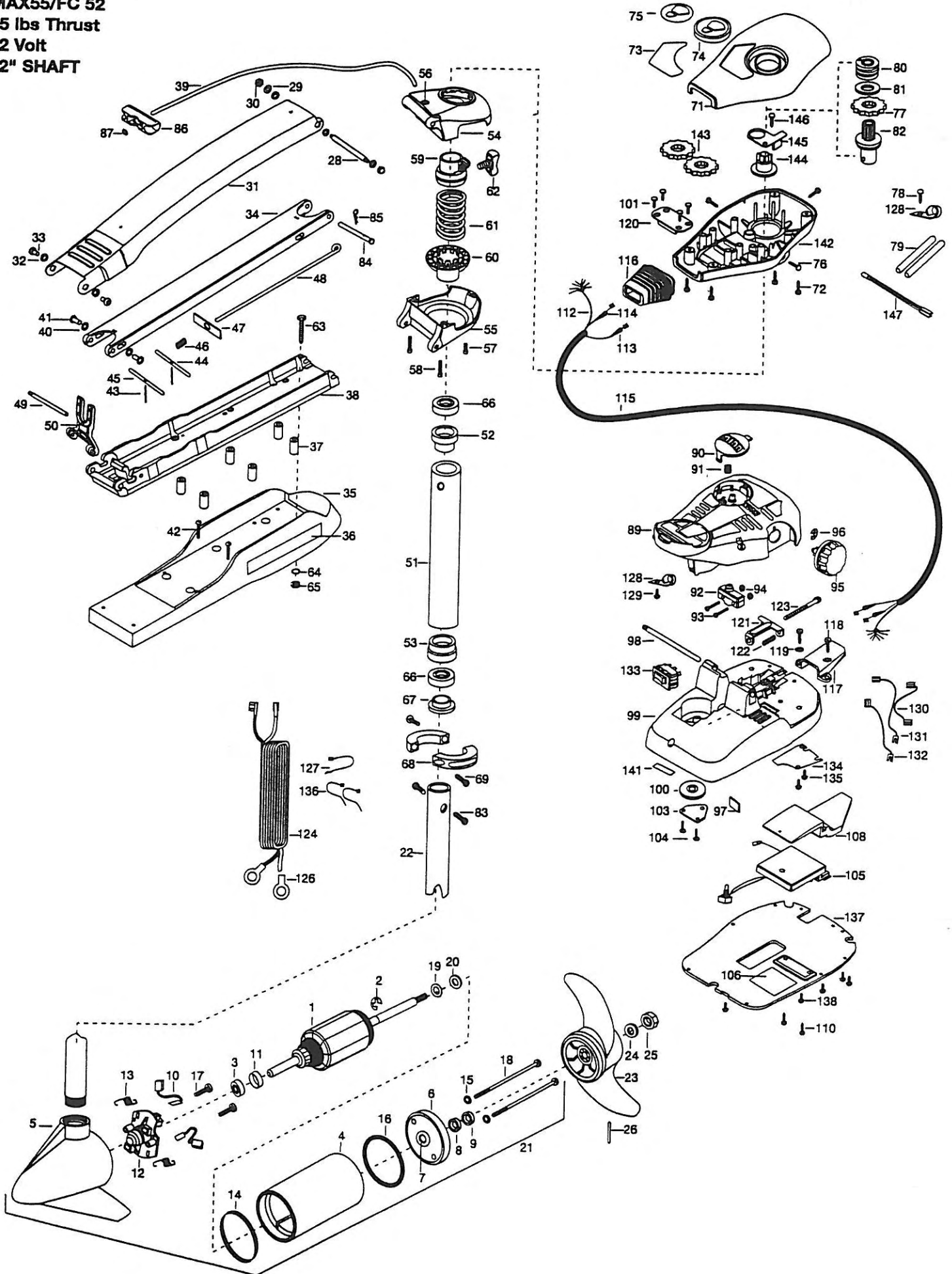


MAX55/FC 52
55 lbs Thrust
12 Volt
52" SHAFT



| | | | | | | | | |
|----|-----------|--|-----|---------|-------------------------------------|-----|---------|---------------------------------------|
| 1 | 2-100-013 | ARMATURE ASSEMBLY 12V 3.62 FW SW | 47 | 2262703 | SPRING STOP- MAXXUM | 94 | 2233100 | NUT- SWITCH MOUNT [2.EA] |
| 2 | 788-015 | RETAINING RING | 48 | 2153604 | EYE SHAFT- 2LOCKBAR LNG | 95 | 2260160 | KNOB- SPEED CONTROL (VAR) |
| 3 | 140-010 | BALL BEARING | 49 | 2260506 | HINGE-PIN HEADLESS ZINC | 96 | 2263000 | E-RING THU-ARC |
| 4 | 2-200-101 | CENTER HOUSING ASSEMBLY 3.62 TXT MAG | 50 | 2293811 | YOKE- MAXXUM MOUNT,POLYPROPYLENE | 97 | 2266413 | TENSION SCREW PLATE FTPEDAL |
| 5 | 421-065 | HOUSING BRUSH END 3.62 TXT | 51 | 2772016 | TUBE W/BEARING RACE ASSEMBLY | *98 | 2260511 | PIN- PIVOT A/T FT PDL |
| 6 | 2-400-101 | PLAIN END HOUSING ASSEMBLY | 52 | 2272067 | TUBE OUTER-24" 4 HOLES | 99 | 2992102 | FT PEDAL BASE/PIN ASSEMBLY |
| 7 | 144-049 | BEARING - FLANGE (SERVICE CENTER ONLY) | 53 | 2266260 | BEARING RACE | 100 | 2262301 | PULLEY- FOOT PEDAL |
| 8 | 880-003 | SEAL | 54 | 2266220 | BEARING RACE- STEEL | 101 | 2223430 | SCREW- #8 X 3/4 PPH TYPE 25 SS [4.EA] |
| 9 | 880-008 | SEAL WITH SHIELD | 55 | 2991869 | BOWGUARD ASSEMBLY- FT CTRL,FW | 103 | 2266400 | COVER- PULLEY |
| 10 | 188-036 | BRUSH ASSEMBLY [2.EA] | 56 | 2772315 | BRACKET BASE TOP/EYELET ASSEMBLY | 104 | 2301310 | SCREW- 8-18 X 1/2 [4.EA] |
| 11 | 725-050 | BRUSH RETENTION- PAPER TUBE | *55 | 2991999 | BRKT BOTTOM/BEARING FW ASSEMBLY | 105 | 2264006 | CNTROL BOARD ASSEMBLY 12V MAX44 |
| 12 | 738-036 | BRUSH PLATE W/HOLDER | 58 | 2772352 | EYELET- KIT | 106 | 2365107 | INSULATING PAD (2.3X3.2) |
| 13 | 975-040 | SPRING - TORSION [2.EA] | 57 | 2263402 | SCREW- 1/4-20 X 3/4" ZINC | 108 | 2264018 | HEAT SINK- MACH, MAX FTL |
| 14 | 337-036 | GASKET | 58 | 2263404 | SCREW-1/4-20 X 2 1/4 SCHP SS [2.EA] | 110 | 2263447 | SCREW- 8-32 X 1" [2.EA] |
| 15 | 701-008 | O-RING, THRU-BOLT [2.EA] | 59 | 2261525 | SPRING SLEEVE- UPPER | 112 | 2261219 | WIRE HARNESS AT & MAX |
| 16 | 701-081 | O-RING | 60 | 2261535 | SPRING SLEEVE- LOWER | 113 | 2267500 | CABLE ASSEMBLY- RIGHT (5') |
| 17 | 830-007 | SCREW- #8-32 [2.EA] | 61 | 2262706 | SPRING- BOWGUARD, NIK PL | 114 | 2267510 | CABLE ASSEMBLY- LEFT (5') |
| 18 | 830-042 | THRU-BOLT 10-32 X 8.83 [2.EA] | 62 | 2011365 | SCREW- COLLAR/NEW KNOB | 115 | 2265430 | CABLE JACKET (5') |
| 19 | 990-087 | WASHER- STEEL THRUST | 63 | 2994830 | BAG ASSEMBLY- MAXXUM | 116 | 2265110 | BOOT- CONTROL BOX |
| 20 | 990-070 | WASHER- NYLATRON [2.EA] | *63 | 2263431 | SCREW- 1/4-20 X 3.5 PPH [6.EA] | 117 | 2265115 | BOOT- FOOT PEDAL BASE |
| 21 | 2099090 | MOTOR ASSEMBLY 12V FW VARS 55# | *64 | 2261713 | WASHER- 1/4 FLAT S/S [6.EA] | 118 | 2372100 | SCREW- 8-18 X 5/8 THD [2.EA] |
| 22 | 2032067 | TUBE- COMP 52" W/CSK HOLE | *65 | 2263103 | NUT- 1/4-20 NYLOCK-JAM SS [6.EA] | 119 | 2261714 | WASHER- MAXXUM FT PDL [2.EA] |
| 23 | 1378122 | PROPELLER KIT | 66 | 2266000 | BEARING BALL- STEEL [2.EA] | 120 | 2261901 | BRACKET- CONDUIT |
| 24 | 2091150 | PROPELLER W.WEDGE | *67 | 2266115 | BEARING CONE | 121 | 2263210 | BRACKET- CONDUIT ADJUST |
| 25 | 2151726 | WASHER-5/16 SS | *68 | 2261619 | COLLAR HALF- ZINC [2.EA] | 122 | 2262720 | SPRING- CONDUIT ADJUST |
| 26 | 2053101 | NUT-PROP NYLOC | *69 | 2263452 | SCREW- 1/4-20 X 3/4 [2.EA] | 123 | 2263463 | SCREW- 1/4-20 X 2" STL PPH |
| 27 | 2092600 | PIN-DRIVE | 71 | 2260283 | CONTROL BOX COVER- MAXXUM | 124 | 2261227 | LEADWIRE- A/T VARIABLE |
| 28 | 2262605 | PIN- BWGRD UPPER THREADED ZP | 72 | 2372100 | SCREW- 8-18 X 5/8 THD [4.EA] | 126 | 2020700 | TERMINAL RING- 3/8" [2.EA] |
| 29 | 9908236 | WASHER- 1/4 FLAT ZINC [2.EA] | 73 | 2265656 | DECAL- COVER MAX 55/FC | 127 | 2256300 | TIE WRAP- 5.5' BLACK |
| 30 | 2223100 | NUT- TENSION 5/16-18 SS [2.EA] | 74 | 2260150 | POINTER DISC TRNSLCNT RED | 128 | 2263201 | CLAMP WIRE HARNESS MICRO [2.EA] |
| 31 | 2264246 | MOUNT- BOW ASSEMBLY, LNG FW MAX | 75 | 2265800 | DECAL- INDICATOR | 129 | 2332103 | SCREW- 6-20 X 3/8 THD (SS) |
| 32 | 2264246 | ARM-UPPER LNG FW | 76 | 2053414 | SCREW- 8-32 X 1/2 TRI-LOBE [3. EA] | 130 | 2260316 | CONNECTING WIRE (VAR.SPD) |
| 33 | 2293501 | BUSHING- STAINLESS STEEL [4.EA] | 77 | 2267800 | GEAR- INDICATOR | 131 | 2260312 | WIRE- BLK W/WHT STRP 19 -1/4" |
| 34 | 2263500 | BOLT- SHOULDER MAXXUM [2.EA] | 78 | 2301310 | SCREW- 8-18 X 1/2 | 132 | 2260323 | WIRE- BLK W/GRN STP VARIABLE |
| 35 | 2994317 | ARM-LOWER ASSEMBLY,LNG,FW,EXTRA [INCLUDES 39, 43-47, 86,87] | 79 | 2355410 | SHRINK TUBE- 3/8 OD X 2" [2.EA] | 133 | 2254031 | SWITCH- MOM/OFF/CON |
| 36 | 2263913 | MOTOR REST LONG MAXXUM | 80 | 2232360 | PULLEY- CABLE DRUM | 134 | 2266412 | SWITCH PLATE- FT PEDAL |
| 37 | 2265514 | DECAL- MAXXUM MOTOR REST [2.EA] | 81 | 2261730 | WASHER- NYLON A/T CON | 135 | 2332103 | SCREW- 6-20 X 3/8 THD SS [2.EA] |
| 38 | 2261505 | SPACER- MOTOR REST [6.EA] | 82 | 2996246 | TOP BEARING RACE /PINION DRIVE | 136 | 2256301 | TIE WRAP- 5.5" WHITE [2.EA] |
| 39 | 2773986 | BOWPLATE- W/INSERT LG FW TXT | 83 | 2263410 | SCREW- 8-32 X 5/16 [2.EA] | 137 | 2266414 | BOTTOM PLATE- MAX FOOT PEDAL |
| 40 | 2251601 | ROPE (40*), MAXXUM MOUNT | 84 | 2262607 | PIN- CLEVIS ZP MAXXUM BWGRD | 138 | 9953104 | SCREW-8 X 1/2" (SS) [5.EA] |
| 41 | 2261708 | WASHER- 3/8 X 1/2X.010 SS [2.EA] | 85 | 2260801 | CLIP- SPRING ZP MAX BG | 141 | 2266610 | DECAL- ON/OFF SWITCH |
| 42 | 2236000 | BEARING NYLINER [2.EA] | 86 | 2150400 | PULL- GRIP | 142 | 2262535 | CONTROL BOX- PLASTIC |
| 43 | 2263434 | SCREW, 8-18 X 1" PPH [2.EA] | 87 | 2151700 | WASHER- EYE SHAFT (.562 OD) | 143 | 2267800 | GEAR- INDICATOR [2.EA] |
| 44 | 2152610 | SPRING- PIN LOCKBAR [2.EA] | 89 | 2790002 | FOOT PEDAL/PLUG ASSEMBLY | 144 | 2262220 | INDICATOR- DRIVE |
| 45 | 2233600 | LOCK BAR- BOW MOUNT | 90 | 2263700 | PUSH- BUTTON FOOT PEDAL | 145 | 2261905 | BRACKET/INDICATOR |
| 46 | 2233602 | LOCK BAR REAR - ZINC | 91 | 2302732 | SPRING- LOWER PEDAL | 146 | 2301310 | SCREW- 8-18 X 1/2" |
| 47 | 2152700 | SPRING- LOCKBAR CAD,PLTD | 92 | 2264023 | SWITCH- SEALED ASSEMBLY | 147 | 2264015 | LIGHT/INDICATOR |
| | | | 93 | 2262114 | SCREW- MOUNTING/SWITCH [2.EA] | | | |

* This Item is part of an assembly. This Item cannot be sold separately due to machining and /or assembly that is required.

Maxxum Bowmount Series Wiring Diagrams

Max 55
12-volt

