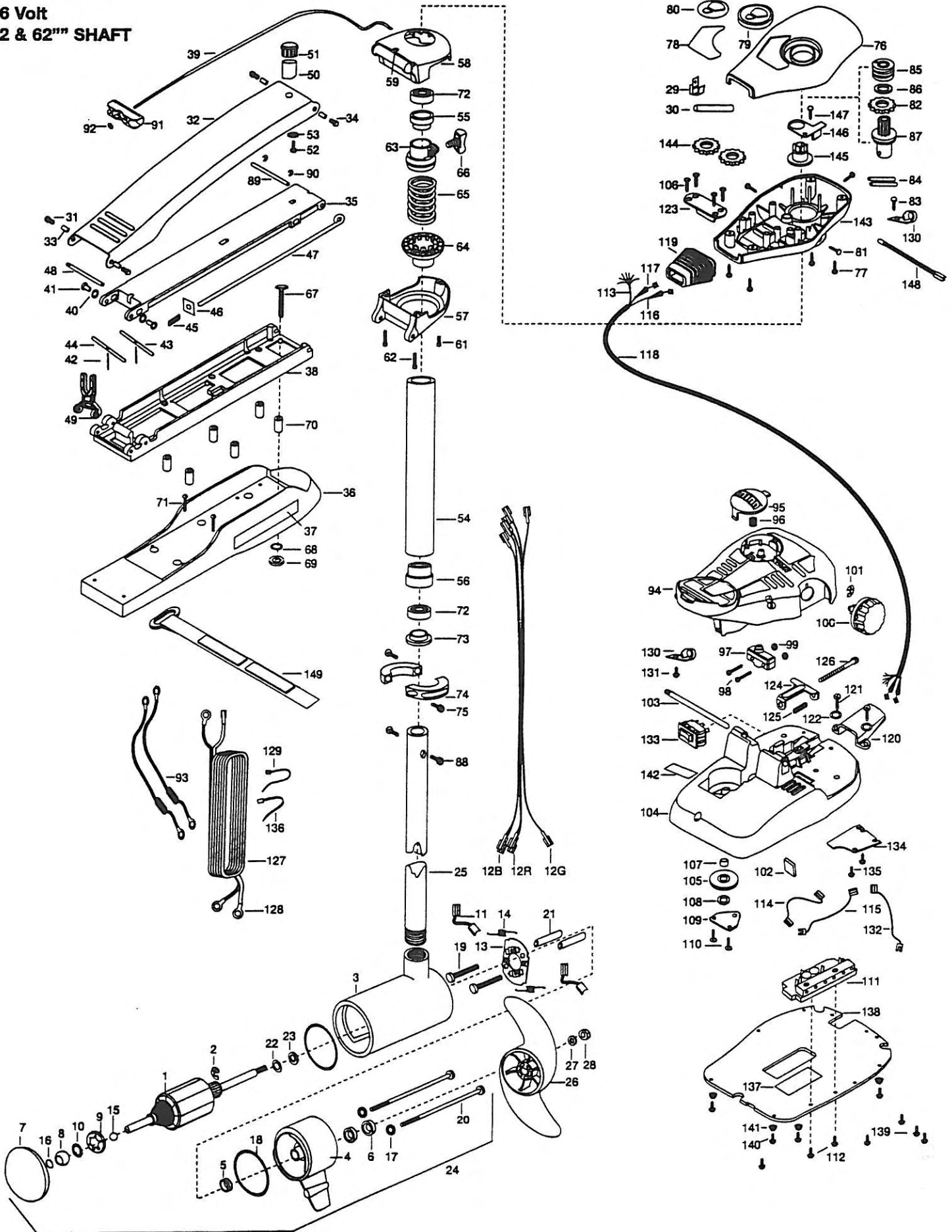


MAXXUM 101

101 lbs Thrust

36 Volt

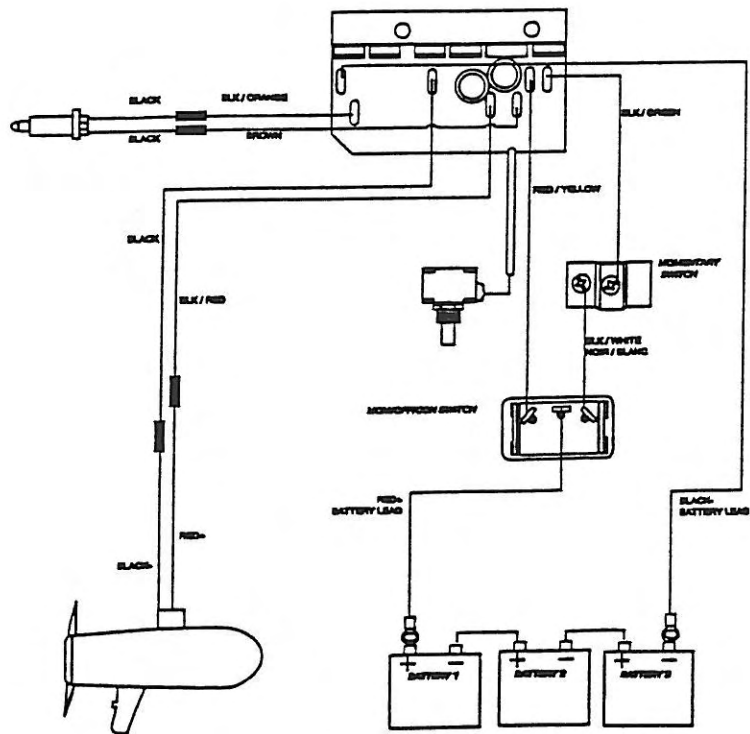
52 & 62" SHAFT



1	2-100-110	ARMATURE ASSEMBLY 36V 4 VARS TXT	*50	2268400	SHAFT-SUPPORT	101	2263000	E-RING TRU-ARC#5133-43
2	788-040	RETAINING RING	*51	2268401	BUMPER-SHAFT	102	2266413	TENSION SCREW PLATE FT
3	431-110	CENTER HOUSING ASSEMBLY 4.0 FW TXT MAX	*52	2263465	SCREW 1/4-10 X 1" HHD Z/P	103	2260511	PIN-PIVOT A/T FT PDL
4	2-300-160	BRUSH END HOUSING ASSEMBLY 4.0 FW TXT	*53	2261716	WASHER-CONICAL ID.28 SS	104	2992102	FOOT PEDAL BASE/PIN ASSEMBLY
5	144-017	BEARING-FLANGE (SERVICE ONLY)	■	2772016	TUBE W/BEARING RACE ASSEMBLY 52"	105	2262300	PULLEY FOOT PEDAL
6	880-025	SEAL [2.EA]		2772014	TUBE W/BEARING RACE ASSEMBLY 62"	106	2223430	SCREW-#8 X 3/4" PPH TYPE 25 SS [4.EA]
7	2-400-160	PLAIN END HOUSING ASSEMBLY 4.0	54	2272067	TUBE OUTER-24" 4 HOLES 52"	107	2260000	BEARING-PULLEY
8	144-021	BEARING -SPHERICAL		2272068	TUBE OUTER-34" 4 HOLES 62"	108	2261705	WASHER-NYLATRON A/T
9	784-025	BEARING RETAINER	55	2266280	BEARING RACE-565T	109	2266400	COVER-PULLEY STAMPING
10	991-040	FELT WASHER	56	2266220	BEARING RACE-STEEL	110	2301310	SCREW-8-18 X 1/2" MAX [2.EA]
11	188-094	BRUSH 4" [2.EA]	■	2771988	BOWGUARD ASSEMBLY-FT CTRL, STD, MAX	111	2264012	CONTROL BOARD ASSEMBLY- MAX101
12B	640-017	LEADWIRE-BLACK 10 AWG 61 XLP	57	2771992	BRACKET BASE TOP/INSERT	112	2053414	SCREW 8-32 X 1/2 TRI-LOBE [2.EA]
12R	640-121	LEADWIRE-RED 10 AWG 62-1/2	58	2771993	BRACKET BOTTOM/BEARING ASSEMBLY	113	2261218	WIRE HARNESS MAX 101
12G	640-303	LEADWIRE-GREEN 10 AWG 61	59	2232351	EYELET-ROPE	114	2260325	WIRE, BLK W/GRN STRIPE 11 1/4"
13	738-004	BRUSH PLATE-4" TERMINAL	61	2263402	SCREW 1/4-20 X 3/4" ZINC	115	2260326	WIRE, RED W/YEL STRIPE 16 1/2"
14	975-041	SPRING-TORSION [2.EA]	62	2263404	SCREW, 1/4-20 X 2-1/4" SHCP [2.EA]	116	2267500	CABLE ASSEMBLY-RIGHT 5'
15	116-025	BALL-STEEL	63	2261525	SPRING-SLEEVE UPPER	117	2267510	CABLE ASSEMBLY-LEFT 5'
16	303-043	THRUST DISC-METAL	64	2261535	SPRING SLEEVE, LOWER	118	2265430	CABLE JACKET 5'
17	701-009	O-RING-THRU BOLT [2.EA]	65	2262706	SPRING, BOWGUARD, NIK	119	2265110	BOOT-CONTROL BOX
18	701-043	O-RING (2 REQ'D)	66	2011365	SCREW-COLLAR/NEW KNOB	120	2265115	BOOT-FOOT PEDAL BASE
19	830-027	SCREW-SELF TREADED 10-32 X 2" [2.EA]	■	2994830	BAG ASSEMBLY-MAXXUM	121	2372100	SCREW-8-18 X 5/8",THDT [2.EA]
20	830-096	THRU BOLT 12-24 X 11.56" SS [2.EA]	*67	2263431	SCREW 1/4-20 X 3.5" PPH [6.EA]	122	2261714	WASHER-MAXXUM FT PDL [2.EA]
21	973-025	SPACER-BRUSH PLATE [2.EA]	*68	2261713	WASHER-1/4" FLAT S/S [6.EA]	123	2261901	BRACKET-CONDUIT A/T/MAX
22	990-051	WASHER-THRUST, STEEL	*69	2263103	NUT -NYLOCK JAM 1/4-20 S/S [6.EA]	124	2263210	BRACKET-CONDUIT ADJUST
23	990-052	WASHER-NYLATRON	■	2894832	BAG ASSEMBLY	125	2262720	SPRING-CONDUIT ADJUST
24	2317051	MOTOR ASSEMBLY 36V VARS TXT	70	2261505	SPACER, MOTOR REST [6.EA]	126	2263463	SCREW-1/4-20 X 2" STL PPH
25	2032067	TUBE (COMP) W/CSK HOLE 52"	71	2263434	SCREW, 8-18 X 1" PPH [2.EA]	127	2261227	LEADWIRE A/T VARIABLE
■	2032066	TUBE (COMP) W/CSK HOLE 62"	72	2266000	BEARING, BALL-STEEL [2.EA]	128	2020700	TERMINAL RING, 3/8" [2.EA]
■	1378130	PROPELLER KIT	73	2266115	BEARING CONE	129	2256300	TIE WRAP-5.5" BLACK
*26	2331130	PROPELLER (W.WEDGE)	74	2261619	COLLAR HALF-ZINC-2 PER	130	2263201	CLAMP WIRE HARNESS MICRO [2.EA]
*27	2091701	WASHER-PROP (LARGE) MAX 101	75	2263452	SCREW- 1/4-20 X 3/4 SHCP SS [2.EA]	131	2332103	SCREW-6-20 X 3/8" THD
*28	2093101	NUT-PROP (LARGE) MAX 101	76	2260283	CONTROL BOX COVER-MAX	132	2260312	WIRE,BLK W/WHT STRIPE 18 1/4"
29	2020713	TERMINAL-ADAPTOR MAX50/S	77	2372100	SCREW-8-18 X 5/8" THDT [4.EA]	133	2254031	SWITCH-MOM/OFF/COM
30	2375400	SHRINK TUBE 1/4OD X 1-3/4	78	2265539	DECAL COVER, MAXXUM 101	134	2266412	SWITCH PLATE, FT PEDAL
31	2263500	BOLT, SHOULDER [2.EA]	79	2260150	POINTER DISC TRNSLCNT	135	2332103	SCREW-6-20 X 3/8" THD [2.EA]
■	2771864	MOUNT, BOW ASY, FW LG	80	2265800	DECAL-INDICATOR	136	2256301	TIE WRAP-5.5" WHITE [2.EA]
32	2264216	ARM-UPPER FW LG	81	2053414	SCREW-8-32 X 1/2" TRI-LOBE [3.EA]	137	2365109	INSULATING PAD 2.4 X 4.7"
33	2293501	BUSHING, STAINLESS STEEL [4.EA]	82	2267800	GEAR INDICATOR	138	2264511	BOTTOM PLATE, MAX 101
34	2263500	BOLT, SHOULDER [2.EA]	83	2301310	SCREW-8-18 X 1/2" SS	139	9953104	SCREW-8 X 1/2" SS [5.EA]
35	2774317	ARM-LOWER ASSEMBLY, LG, FW EXTR	84	2355410	SHRINK TUBE-3/8 OD X 2" [2.EA]	140	2263455	SCREW #12-14 X 1/2" THR FRM [4.EA]
36	2263913	MOTOR REST LONG, MAXXUM	85	2232360	PULLEY-CABLE DRUM	141	2265128	BUMPER PAD, FOOT PEDAL [4.EA]
37	2265515	DECAL-MOTOR REST	86	2261730	WASHER-NYLON A/T	142	2266610	DECAL-ON/OFF SWITCH
38	2771978	BOWPLATE, LG FW MACHINED/INSERT	87	2996246	TOP BEARING RACE /PINION DRIVE ASSEMBLY	143	2262535	CONTROL BOX-PLASTIC
39	2251601	ROPE 40" MAXXUM	88	2263410	SCREW-8-32 X 5/16" ZINC PLATE [2.EA]	144	2267800	GEAR-INDICATOR [2.EA]
40	2261708	WASHER-3/8 X 1/2 X.010" SS [2.EA]	89	2260513	HINGE PIN MAX,A/T	145	2262220	INDICATOR-DRIVE
41	2236000	BEARING NYLINER [2.EA]	90	2263010	E-RING 3/8" DIA. SHAFT [2.EA]	146	2261905	BRACKET/INDICATOR
42	2152610	SPRING-PIN (LOCKBAR) [2.EA]	91	2150400	PULL-GRIP	147	2301310	SCREW-8-18 X 1/2" SS
43	2233600	LOCK BAR-(BOW MOUNT)	92	2151700	WASHER-EYE SHAFT .562"	148	2264015	LIGHT/INDICATOR
44	2233602	LOCK BAR, REAR-ZINC	93	2998200	CIRCUIT BREAKER ASSEMBLY 36V-101 [2.EA]	149	2263802	STRAP-HOLD DOWN 30.5 VELCRO
45	2152700	SPRING-LOCKBAR	94	2790002	FOOT PEDAL/PLUG ASSEMBLY		NOT SHOWN--	82" SHAFT ONLY
46	2262703	SPRING STOP	95	2263700	PUSH-BUTTON FOOT PEDAL	2030710	CONNECTOR BUTT [2.EA]	
47	2153604	EYE SHAFT-2LOCKBAR STD PLTD	96	2302732	SPRING-LOWER PEDAL SS	2030711	CONNECTOR BUTT	
48	2260506	HINGE-PIN HEADLESS ZINC	97	2264023	SWITCH-SEALED ASSEMBLY	2030315	WIRE EXTENSION 18" GREEN	
49	2293811	YOKE, MAXXUM MOUNT POLYPROPYLENE	98	2262114	SCREW-MOUNTING/SWITCH [2.EA]	2030317	WIRE EXTENSION 18" RED	
■	2994833	BAG ASSEMBLY-MAXXUM STABILIZER	99	2233100	NUT-SWITCH MOUNT [2.EA]	2030316	WIRE EXTENSION 18" BLACK	
			100	2260160	KNOB-SPEED CONTROL	2375400	SHRINK TUBE 1/4 X 1-3/4" [2.EA]	

* This item is part of an assembly. This Item cannot be sold separately due to machining and /or assembly that is required.

Max 101 36-volt



Note:

If you experience depth finder interference, attach the green motor ground wire to the control board ground as shown. **Do NOT use the crank battery as one of the three supply batteries!** Using the crank battery as one of the supply batteries will cause corrosion damage to the trolling motor, and **VOID the Warranty!**