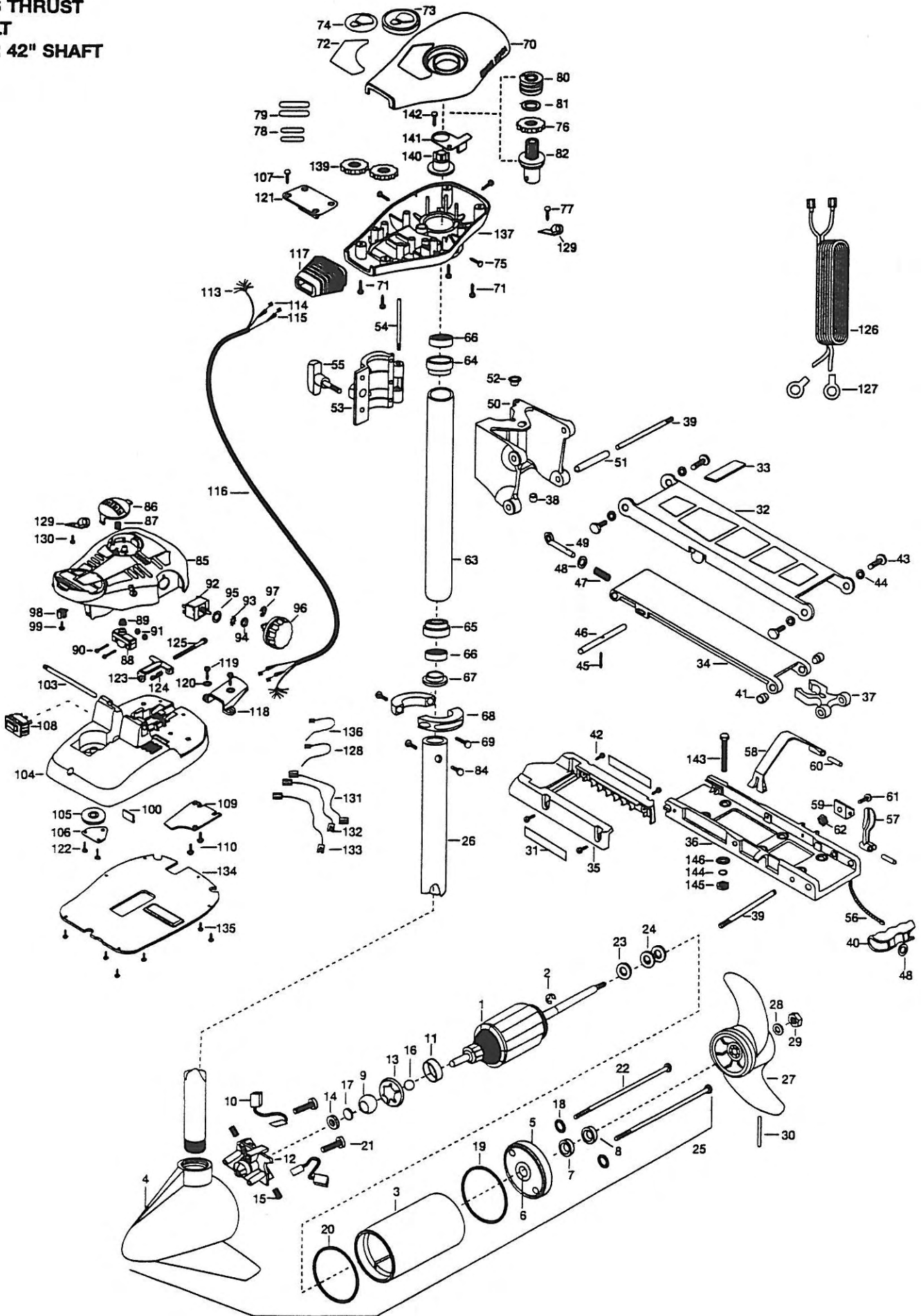


40AT/FC  
40 LBS THRUST  
12 VOLT  
36" OR 42" SHAFT



1	2-100-001	ARM ASSEMBLY 12V 3.25	45	2152610	SPRING-PIN LOCKEAR	94	2263105	NUT-HEX
2	788-015	RETAINING RING	46	2233600	LOCK BAR- BOW MOUNT	95	2261715	SPACER-SWITCH 5 SP MODELS
3	431-079	HOUSING ASSEMBLY CENTER 3.25 TXT	47	2152700	SPRING-LOCKBAR CAD.PLT	96	2260170	KNOB-SPEED CONTROL 5SPD
4	2-300-132	HOUSING- ASSEMBLY BRUSH END 3.25 SP.CO	48	2151700	WASHER-EYE SHAFT .562 OD [2.EA]	97	2263000	E-RING TRU-ARC
5	2-400-127	PLAIN END HOUSING ASSEMBLY	49	2153600	EYE SHAFT-CAD.PLATE	98	2260730	CONNECTOR 1/4 MALE TAB
6	144-049	BEARING- FLANGE [SERVICE ONLY]	50	2261811	HINGE BASE-F/W	99	2332103	SCREW-6-20 X 3/8
7	880-003	SEAL	51	2231570	SLEEVE ROLLER -HINGE BRACKET	100	2266413	TENSION SCREW PLATE FT PEDL
8	880-006	SEAL WITH SHIELD	52	2232350	EYELET-ROPE	103	2280511	PIN-PIVOT A/T FT PDL
9	144-050	BEARING - SPHERICAL	53	2261821	HINGE DOOR-PAINTED F/W	104	2992102	FT PEDAL BASE/PIN ASSEMBLY SONAR
10	188-052	BRUSH ASSEMBLY [2.EA ]	54	2262640	PIN-HINGE DOOR	105	2262301	PULLEY- FOOT PEDAL
11	725-033	BRUSH RETENTION- PAPER TUBE	55	2260183	KNOB-HINGE COVER A/T FW	106	2266400	COVER-PULLEY STAMPING
12	738-030	BRUSH PLATE W/HOLDER 3.25	56	2251600	ROPE- 31"	107	2223430	SCREW-#8 X 3/4 PPH TYPE 25 SS [4.EA]
13	784-036	BEARING RETAINER	57	2267200	LATCH LEVER	108	2254031	SWITCH-MOM/OFF/COM
14	991-025	WASHER- FELT	58	2263800	STRAP-HOLD DOWN	109	2266412	SWITCH PLATE, FT PEDAL
15	975-032	SPRING- COMPRESSION [2.EA]	59	2261910	BRACKET HOLD DOWN STRAP	110	2332103	SCREW-6-20 X 3/8 THD [2.EA]
16	116-020	BALL- STEEL	60	2260500	PIN-ROLL LATCH LEVER [2.EA]	113	2261208	WIRE HARNESS, A/T FT. PED
17	303-039	THRUST DISC- METAL	61	2263440	SCREW-10-24 X 3 4	114	2267500	CABLE ASSEMBLY-RIGHT 5'
18	701-007	O-RING [2. EA]	62	2333101	NUT-HEX 3HP-SS NYLOC	115	2267510	CABLE ASSEMBLY-LEFT 5'
19	701-039	O-RING MK406460	■	2772015	TUBE W/BEARING RACE ASSEMBLY	116	2265430	CABLE JACKET 5'
20	701-041	O-RING	63	2272066	TUBE OUTER-18" 4 HOLES	117	2265110	BOOT-CONTROL BOX
21	830-001	SCREW- SELF-THREAD 8-32 X 1.7 [2.EA ]	64	2266260	BEARING RACE	118	2265115	BOOT-FOOT PEDAL BASE
22	830-078	THRU BOLT 8-32 X 8.96 [2.EA]	65	2266220	BEARING RACE-STEEL	119	2372100	SCREW-8-18 X 5/8 THD [2.EA]
23	990-067	WASHER- STEEL THRUST	66	2266000	BEARING BALL-STEEL [2.EA]	120	2261714	WASHER-MAXXUM FT PDL [2.EA]
24	990-070	WASHER- NYLATRON [2.EA]	67	2266115	BEARING CONE	121	2261901	BRACKET-CONDUIT AT/MAX
25	2068050	MTR ASSEMBLY 12V 3.25 5SPD	68	2261619	COLLAR HALF-ZINC- [2.EA]	122	2301310	SCREW-8-18 X 1/2 [2.EA]
26	2032062	TUBE (COMP)W/CSK HOLE 36"	69	2263452	SCREW-1/4X20 X 3/4 SHCS SS [2. A]	123	2263210	BRACKET- CONDUIT ADJUSTMENT
	2032063	TUBE (COMP)W/CSK HOLE 42"	70	2260284	COVER-CTR BOX AT/FC BLK	124	2262720	SPRING-CONDUIT ADJUSTMENT
	1378126	PROPELLER KIT	71	2372100	SCREW-8-18 X 5/8 THD [4.EA]	125	2263463	SCREW-1/4-20 X 2 STL PPH
*27	2061125	PROPELLER W/WEDGE	72	2265621	DECAL-COVER 40AT/FC	126	2261225	LEADWIRE-BATTERY
*28	2151726	WASHER- 5/16 SS	73	2260150	POINTER DISC TRNSLNT RED	127	2020700	TERMINAL RING, 3/8" [2.EA]
*29	2053101	NUT-PROP NYLOC	74	2265800	DECAL-INDICATOR	128	2256300	TIE WRAP-5.5" BLACK
*30	2092600	PIN-DRIVE SS	75	2053414	SCREW-8-32 X 1/2 TRI LOBE [3. EA]	129	2263201	CLAMP WIRE HARNESS MICRO
31	2265631	DECAL- MOTOR REST AT [2.EA]	76	2267800	GEAR-INDICATOR	130	2332103	SCREW-6-20 X 3/8 THD
	2771970	STD-BOWMT FW 30,33,36AT	77	2301310	SCREW-8-18 X 1/2 SS	131	2260301	CONNECTING WIRE -SWITCH
32	2264221	ARM-UPPER,STD,FW	78	2375400	SHRINK TUBE-1/4OD X 1-3/4 [2. EA]	132	2260312	WIRE,BLK W/WHT- 19 1/2
33	2265120	BUMPER -UPPER ARM	79	2355410	SHRINK TUBE-3/8 OD X 2 [2. EA]	133	2260322	WIRE,BLK W/BLUE -12"
	2774310	ARM-LOWER FW ASSEMBLY [INCL. 34, 45, 46, 47, 48, 49, 40, 56]	80	2232360	PULLEY-CABLE DRUM	134	2266414	BOTTOM PLATE MAX FOOT
34	2254352	ARM-LWR FW MCHD	81	2261730	WASHER-NYLON A/T	135	9953104	SCREW-8 X 1/2" SS [8.EA]
35	2263900	MOTOR REST	82	2776203	BEARING RACE/ PINION ASSEMBLY	136	2256301	TIE WRAP 5.5 WHITE
36	2251922	BOW PLATE-D C MCHD	84	2263410	SCREW-8-32 X 5/16 ZN PL [2.EA]	137	2262535	CONTROL BOX-PLASTIC
37	2293801	TUBE LOCK-"D"	85	2790002	FOOT PEDAL/PLUG ASSEMBLY AT	139	2267800	GEAR-INDICATOR [2.EA]
*38	2264705	INSERT-HINGE BASE STD MT	86	2263700	PUSH-BUTTON FOOT PEDAL	140	2262220	INDICATOR-DRIVE
39	2260506	HINGE-PIN HEADLESS ZINC [2.EA]	87	2302732	SPRING-LOWER PEDAL SS	141	2261905	BRACKET/INDICATOR
40	2150400	PULL-GRIP	88	2264020	SWITCH MOMENTARY	142	2301310	SCREW-8-18 X 1/2 (SS
41	2236000	BEARING NYLINER- [2.EA]	89	2265140	BOOT-MICROSWITCH	■	2994837	BAG ASSEMBLY-(INCL143,144,145,146
42	2303431	SCREW 1/4-20 X 5/8"PPH [4. EA]	90	2262114	SCREW-MOUNTING/SWITCH [2.EA]	*143	2263462	SCREW 1/4-20 X 2 SS [4.EA]
43	2293511	BOLT-UPPER ARM W/LOCTITE [4.EA]	91	2233100	NUT-SWITCH MOUNT [2.EA]	*144	2261713	WASHER-1/4 FLAT 18-18 [4.EA]
44	2293500	BUSHING-SHOULDER UPPER ARM [2.EA]	92	2264026	SWITCH-S SPEED	*145	2263103	NUT- 1/4-20 NYLOC-JAM [4.EA]
			93	2261701	LOCKWASHER-STAR	*146	2301720	WASHER.MOUNTING RUBBER [6. EA]

\* THIS ITEM IS PART OF AN ASSEMBLY. THIS ITEM CANNOT BE SOLD SEPARATELY DUE TO MACHINING AND /OR ASSEMBLY THAT IS REQUIRED.

# All Terrain Bowmount Series Wiring Diagrams

30AT, 36AT, 40AT, & 55AT  
12-volt (foot-control)

