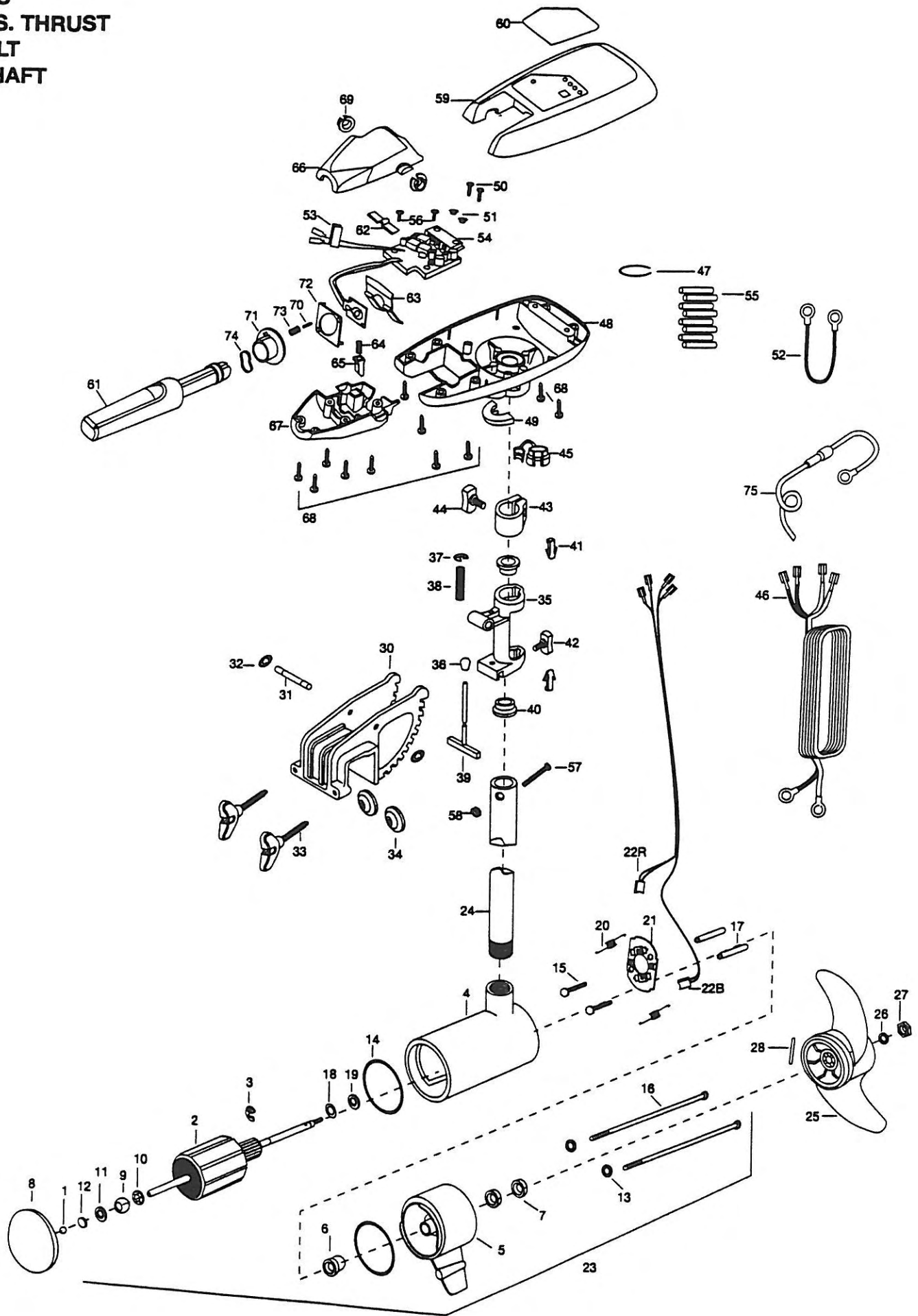


RT74/S  
74 LBS. THRUST  
24 VOLT  
42" SHAFT

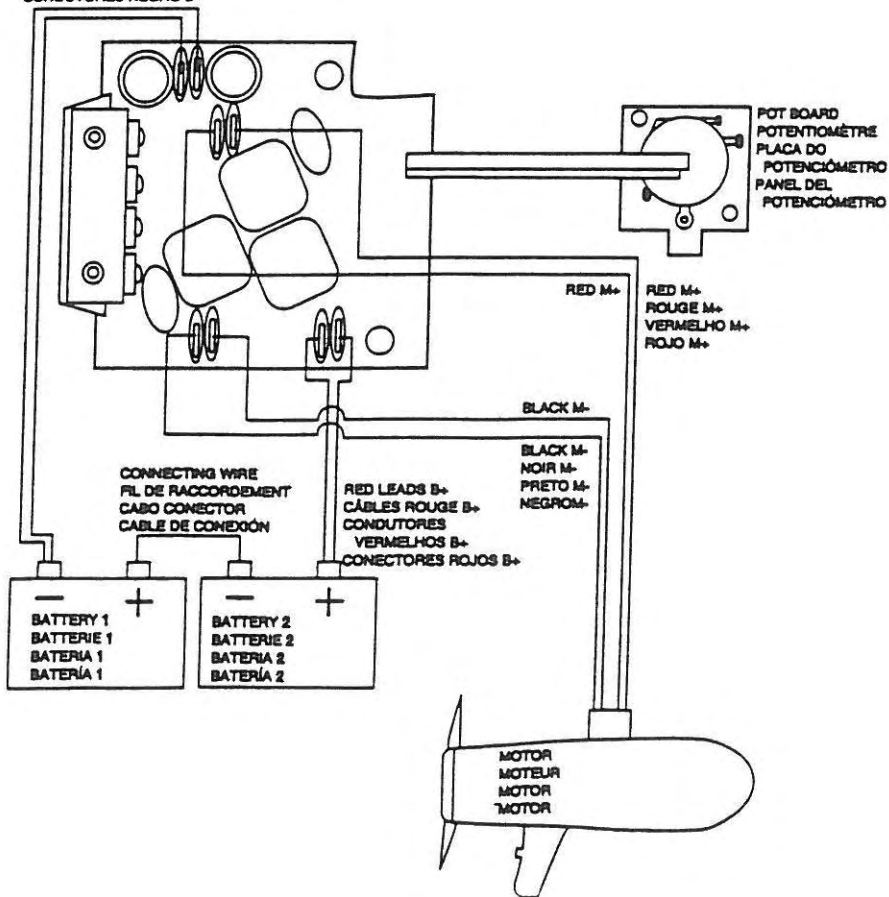


|     |           |   |    |         |                                   |
|-----|-----------|---|----|---------|-----------------------------------|
| 1   | 116-025   | BALL - STEEL                              | 38 | 2332700 | SPRING- T-BAR                     |
| 2   | 2-100-103 | ARMATURE ASSEMBLY 24V 4                   | 39 | 2033601 | T-BAR E-COAT                      |
| 3   | 788-040   | RETAINING RING                            | 40 | 2037300 | BUSHING-HINGE [2.EA]              |
| 4   | 431-098   | HOUSING ASSEMBLY-CENTER                   | 41 | 2062800 | TENSION BLOCK- "SNAP IN" [2.EA]   |
| 5   | 2-300-013 | BRUSH END HOUSING ASSEMBLY                | 42 | 2011386 | SCREW-TENSION/NEW KNOB            |
| 6   | 144-017   | BEARING - FLANGE                          | 43 | 2061520 | COLLAR-DEPTH                      |
| 7   | 880-025   | SEAL [2.EA]                               | 44 | 2011366 | SCREW-COLLAR/NEW KNOB SS          |
| 8   | 2-400-012 | PLAIN END HOUSING ASSEMBLY                | 45 | 2332900 | STRAIN RELIEF-C.CORD/C.           |
| 9   | 144-021   | BEARING - SPHERICAL                       | 46 | 2330600 | LEADWIRE (10 GA-4) RINGS          |
| 10  | 784-025   | BEARING RETAINER                          | 47 | 2303001 | RING-PIG LOXIT HILL #2            |
| 11  | 991-040   | WASHER - FELT                             | 48 | 2062588 | CONTROL BOX, SW, .875 BORE        |
| 12  | 303-043   | THRUST DISC - METAL                       | 49 | 2061513 | COLLAR-CTRL BOX                   |
| 13  | 701-009   | O-RING [2.EA]                             | 50 | 2301310 | SCREW-8-18 X 1/2 SS [2.EA]        |
| 14  | 701-043   | O-RING [2.EA]                             | 51 | 2301710 | WASHER-INSUL. (TRANSF.BAR) [2.EA] |
| 15  | 830-027   | SCREW - SELF-THREAD 10-32 X 2 [2.EA]      | 52 | 2340610 | CONNECTOR CABLE- 12"              |
| 16  | 830-094   | THRU BOLT 12-24 x 10.31 [2.EA]            | 53 | 2305810 | TAG-AIR SWITCH LEADS              |
| 17  | 973-025   | SPACER - BRUSHPLATE [2.EA]                | 54 | 2344007 | CONTROL BOARD ASSEMBLY SW         |
| 18  | 990-051   | WASHER - STEEL THRUST                     | 55 | 2305400 | SHRINK TUBE-3/8 OD [8.EA]         |
| 19  | 990-052   | WASHER - NYLATRON                         | 56 | 2372100 | SCREW-8-18 X 5/8 THD [2.EA]       |
| 20  | 975-041   | SPRING - TORSION [2.EA]                   | 57 | 2263406 | SCREW-10-24 X 2 SS PPH            |
| 21  | 738-040   | BRUSH PLATE-4" TERMINAL                   | 58 | 2333101 | NUT-10-24 NYLOCK SS UNC 2B        |
| 22R | 409071    | BRUSH / RED WIRES                         | 59 | 2300227 | CONTROL BOX CVR SW                |
| 22B | 409071    | BRUSH / BLACK WIRES                       | 60 | 2095617 | DECAL-COVER (RT74/S)              |
| 23  | 2317040   | MTR ASSEMBLY 24V 4 VARS SW HG             | 61 | 2990915 | HANDLE ASSEMBLY W/O U-JOINT       |
| 24  | 2032053   | TUBE (COMPOSITE) 42"                      | 62 | 2302742 | SPRING-DETENT (OFF) SS            |
| ■   | 1378129   | PROPELLER- KIT INCL. 25, 26, 27, 28       | 63 | 2302743 | SPRING-DETENT HANDLE-TILT         |
| 25  | 2331120   | PROPELER- WEEDLESS WEDGE                  | 64 | 2302745 | SPRING-RELEASE BUTTON SS          |
| 26  | 2091701   | WASHER-PROP (LARGE)                       | 65 | 2303720 | RELEASE BUTTON-HANDLE             |
| 27  | 2093101   | NUT-PROP NYLOC (LARGE)                    | 66 | 2060411 | HANDLE (TOP HALF) MAXIMIZER       |
| 28  | 2092600   | PIN-DRIVE SS                              | 67 | 2060415 | HANDLE (LOWER HALF)               |
| ■   | 2771961   | BRACKET & HINGE ASSEMBLY SW               | 68 | 2303412 | SCREW-6-20 X 5/8 SELF TAP [11.EA] |
| 30  | 2771905   | BRACKET DIE CAST-E-CT/PN INCL. 30, 33, 34 | 69 | 2060005 | BEARING-HANDLE PIVOT              |
| 31  | 2330500   | PIN-HINGE (BRACKET)                       | 70 | 2302600 | PIN-ACTUATOR                      |
| 32  | 2333100   | NUT-SPEED SS [2.EA]                       | 71 | 2302850 | ACTUATOR-CAM                      |
| 33  | 2011376   | SCREW-CLAMP/NEW KNOB SS [2.EA]            | 72 | 2302851 | ACTUATOR-FWD/REV                  |
| 34  | 2331700   | WASHER-CLAMP SCREW 1.5 OD [2.EA]          | 73 | 2302740 | SPRING- (ACTUATOR)                |
| 35  | 2031854   | HINGE-MACH.IN-HOUSE SS                    | 74 | 2302741 | SPRING-CAM ZNC PLTD STEEL         |
| 36  | 2010100   | KNOB-TILT                                 | 75 | 2060310 | CONNECT GROUND WIRE-FUSED         |
| 37  | 2333001   | E-RING- SS                                |    |         |                                   |

RT74/S

\* This item is part of an assembly. This item cannot be sold separately due to machining and /or assembly that is required.

BLACK LEADS B-  
CÂBLES NOIRS B-  
CONECTORES  
PRETO B-  
CONDUTORES NEGRO B-



RT74/S  
24-volt