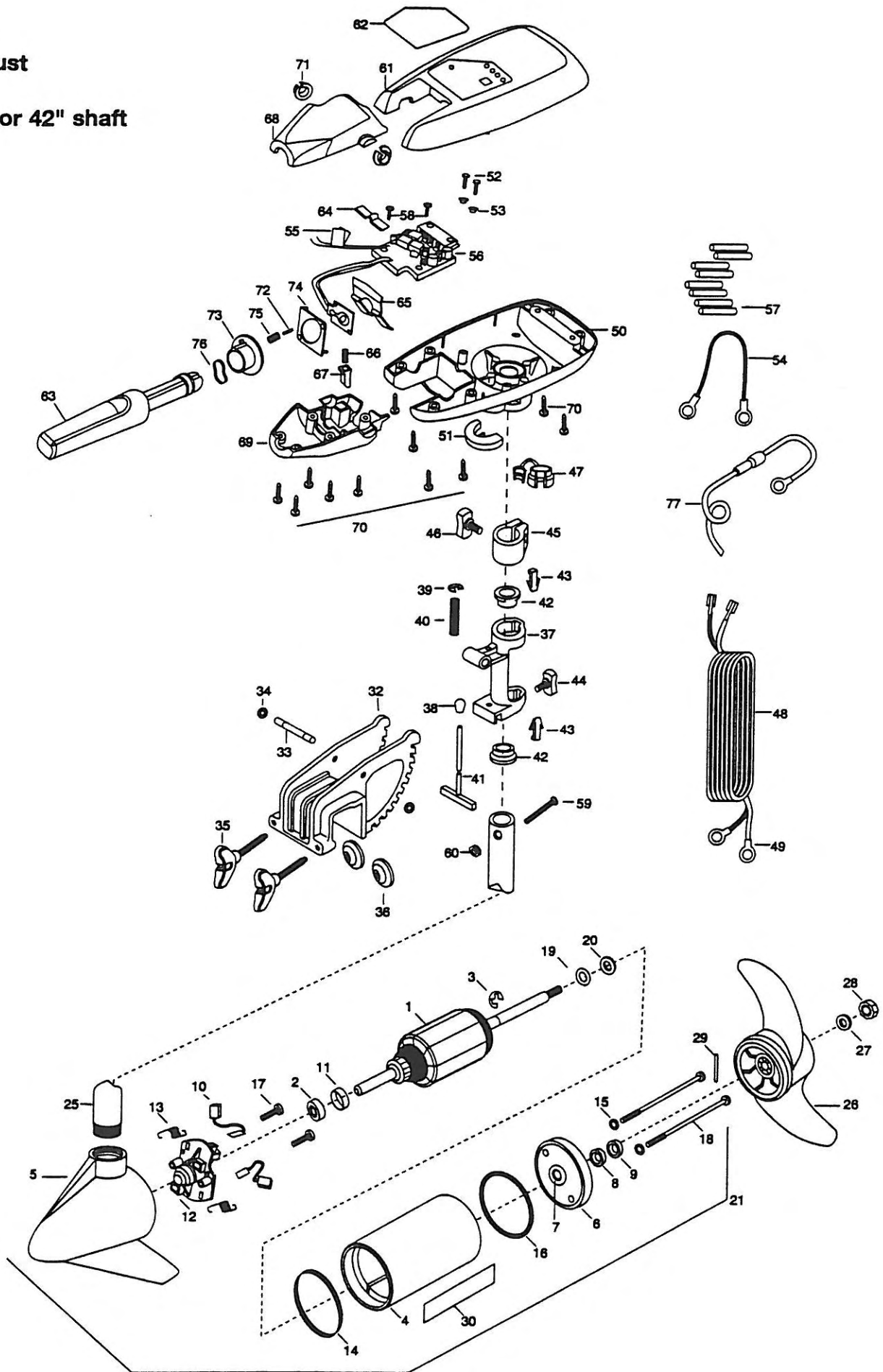


**RT65/S**  
**65lbs Thrust**  
**24 volt**  
**36" Shaft or 42" shaft**



1	2-100-009	ARMATURE ASSEMBLY	30	2066603	DECAL- LOWER UNIT WHITE	54	2340610	CONNECTOR CABLE- (12")
2	140-010	BALL BEARING	■	2771961	BRACKET & HINGE ASSEMBLY (SW)	55	2305810	TAG-AIR SWITCH LEADS
3	788-015	RETAINING RING			INCLUDES 32-44	56	2344007	CONTROL BOARD ASSEMBLY SW
4	431-004	CENTER HOUSING ASSEMBLY	32	2771905	BRACKET ASSMBLY INCL. 32, 35, 36	57	2305400	SHRINK TUBE-3/8 OD [8.EA]
5	421-038	HOUSING BRUSH END 3.62 SW HG	33	2330500	PIN-HINGE (BRACKET)	58	2372100	SCREW-8-18 X 5/8 THD SS [2.EA]
6	2-400-092	PLAIN END HOUSING ASSEMBLY	34	2333100	NUT-SPEED -SS [2.EA]	59	2263406	SCREW-10-24 X 2 SS PPH
7	144-049	BEARING - FLANGE (SERVICE ONLY)	■	2881301	SCREW-CLAMP, WASHER, RETAINER	60	2333101	NUT-10-24 UNC-2B NYLOCK
8	880-003	SEAL			KIT INCLUDES [ 2.EA]	61	2300227	CONTROL BOX CVR (SW)
9	880-006	SEAL WITH SHIELD	*35	2011376	SCREW-CLAMP/NEW KNOB [2.EA]	62	2095666	DECAL-COVER (RT65/S)
10	188-036	BRUSH ASSEMBLY [2.EA]	*36	2331700	WASHER-CLAMP SCREWS [2.EA]	63	2990915	HANDLE ASSEMBLY W/O U-JOINT
11	725-050	BRUSH RETENTION- PAPER TUBE	37	2031855	HINGE-MACH. IN-HOUSE SS	64	2302742	SPRING-DETENT (OFF) SS
12	738-036	BRUSH PLATE W/HOLDER	38	2010100	KNOB-TILT	65	2302743	SPRING-DETENT (HANDLE-TILT)
13	975-040	SPRING - TORSION [2.EA]	39	2333001	E-RING- SS	66	2302745	SPRING-RELEASE BUTTON SS
14	337-036	GASKET	40	2332700	SPRING- (T-BAR) SS	67	2303720	RELEASE BUTTON-HANDLE
15	701-008	O-RING, THRU-BOLT [2.EA]	41	2033601	T-BAR (E-COAT)	68	2060411	HANDLE (TOP HALF) MAXIMIZE
16	701-081	O-RING	42	2037300	BUSHING-HINGE [2.EA]	69	2060415	HANDLE (LOWER HALF)
17	830-007	SCREW-8-32 [2.EA]	43	2062800	TENSION BLOCK- 'SNAP IN' [2.EA]	70	2303412	SCREW-6-20 X 5/8 SELF TAP [11.EA]
18	830-008	THRU-BOLT 10-32 X 9.2 [2.EA]	44	2011386	SCREW-TENSION/NEW KNOB	71	2060005	BEARING-HANDLE PIVOT [2.EA]
19	990-067	WASHER- STEEL THRUST	45	2061520	COLLAR-DEPTH	72	2302600	PIN-ACTUATOR
20	990-070	WASHER - NYLATRON	46	2011366	SCREW-COLLAR/NEW KNOB SS	73	2302850	ACTUATOR-CAM
21	2098033	MOTOR ASSEMBLY 24V SAW 51.5" LDS	47	2052900	STRAIN RELIEF-C.CORD/5P.C	74	2302851	ACTUATOR-FWD/REV
25	2032057	TUBE (COMPOSITE) 36"	48	2090600	LEADWIRE (10 GA) RINGS	75	2302740	SPRING- (ACTUATOR)
	2032057	TUBE (COMPOSITE) 42"	49	2020700	TERMINAL RING, 3/8 [2.EA]	76	2302741	SPRING-CAM (ZNC PLTD STEEL)
26	1378122	PROPELLER KIT INCL. 26, 27, 28, 29	50	2062587	CONTROL BOX, SW, .725 BORE	77	2060310	CONNECT'GROUND WIRE-FUSED
27	2151726	WASHER - 5/16 SS	51	2061513	COLLAR-CTRL BOX (SLT-WTR)			
28	2053101	NUT-PROP NYLOC	52	2301310	SCREW-8-18 X 1/2 SS [2.EA]			
29	2092600	PIN-DRIVE SS	53	2301710	WASHER-INSUL.(TRANSF.BAR) [2.EA]			

RT65/S

\* This item is part of an assembly. This item cannot be sold separately due to machining and /or assembly that is required.

# RipTide Transom Series Wiring Diagrams

RT65/S  
24-volt

BLACK LEADS B-  
CÂBLES NOIRS B-  
CONECTORES NEGRO B-  
PRETO B-  
CONDUTORES NEGRO B-

