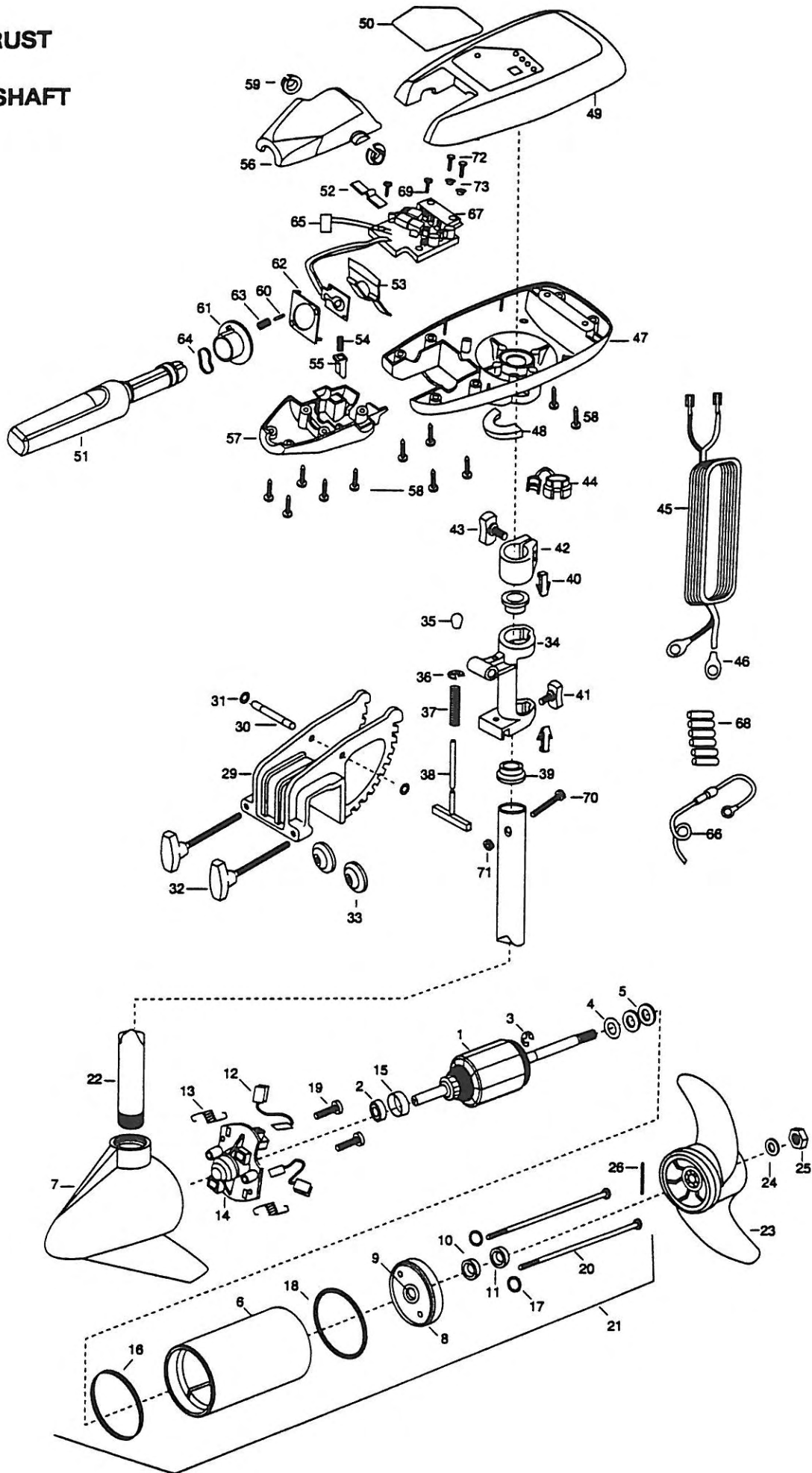


RT50/S
50 LBS. THRUST
12 VOLT
36" OR 42" SHAFT



1	2-100-098	ARM ASSEMBLY12V 3.25	37	2332700	SPRING- (T-BAR)
2	140-010	BEARING -BALL	38	2033601	T-BAR (E-COAT)
3	788-015	RETAINING RING	39	2037300	BUSHING-HINGE [2.EA]
4	990-067	WASHER - STEEL THRUST	40	2062800	TENSION BLOCK- SNAP IN" [2.EA]
5	990-070	WASHER - NYLATRON	41	2011386	SCREW-TENSION/NEW KNOB
6	431-093	HOUSING ASSEMBLY CENTER 3.62 SW HG	42	2061520	COLLAR-DEPTH
7	421-038	HOUSING BRUSH END 3.25 SW HG	43	2011366	SCREW-COLLAR/NEW KNOB (SS) [2.EA]
8	2-400-092	PLAIN END HOUSING S/W	44	2052900	STRAIN RELIEF-C.CORD/SP.C
9	144-049	BEARING - FLANGE [SERVICE ONLY]	45	2090600	LEADWIRE (10 GA) RINGS
10	880-003	SEAL	46	2020700	TERMINAL RING, 3/8" [2.EA]
11	880-006	SEAL WITH SHIELD	47	2062587	CONTROL BOX, SW, .725 BORE
12	188-036	BRUSH ASSEMBLY [2.EA]	48	2061513	COLLAR-CTRL BOX
13	975-040	SPRING - TORSION	49	2300227	CONTROL BOX CVR (SW)
14	738-036	BRUSH PLATE W/HOLDER 3.25	50	2095665	DECAL-COVER (RT50/S)
15	725-050	BRUSH RETENTION	51	2990915	HANDLE ASSEMBLY W/O U-JOINT
16	337-036	GASKET	52	2302742	SPRING-DETENT (OFF) SS
17	701-008	O-RING [2.EA]	53	2302743	SPRING-DETENT (HANDLE-TILT)
18	701-081	O-RING	54	2302745	SPRING-RELEASE BUTTON (SS)
19	830-007	SCREW #8-32 [2.EA]	55	2303720	RELEASE BUTTON-HANDLE
20	830-042	THRU BOLT 8-32 X 8.96 [2.EA]	56	2060411	HANDLE (TOP HALF) MAXIMIZE
21	2099037	MTR ASSEMBLY 12V 51W VARS 47.1	57	2060415	HANDLE (LOWER HALF)
22	2032052	TUBE (COMPOSITE) 36"	58	2303412	SCREW-6-20 X 5/8 SELF TAP [11.EA]
	2032053	TUBE (COMPOSITE) 42"	59	2060005	BEARING-HANDLE PIVOT [2.EA]
	■ 1378122	PROPELLER KIT INCL. 23, 24, 25, 26	60	2302600	PIN-ACTUATOR
*23	2091150	PROPELLER W/WEDGE	61	2302850	ACTUATOR-CAM
*24	2151726	WASHER- 5/16 STD SS	62	2302851	ACTUATOR-FWD/REV
*25	2053101	NUT-PROP NYLOC	63	2302740	SPRING- (ACTUATOR)
*26	2092600	PIN-DRIVE	64	2302741	SPRING-CAM (ZNC PLTD STEEL)
	■ 2771961	BRACKET & HINGE ASSEMBLY (SW)	65	2305810	TAG-AIR SWITCH LEADS
29	2771905	BRACKET DIE CAST INCL. 29, 32, 33	66	2060310	CONNECT GROUND WIRE-FUSED
30	2330500	PIN-HINGE (BRACKET)	67	2334007	CONTROL BOARD ASSEMBLY
31	2333100	NUT-SPEED [2.EA]	68	2305400	SHRINK TUBE-3/8 OD [6.EA]
32	2011376	SCREW-CLAMP/NEW KNOB [2.EA]	69	2372100	SCREW-8-18 X 5/8 THD (SS) [2.EA]
33	2331700	WASHER-CLAMP SCREW 1.5 OD [2.EA]	70	2263406	SCREW-10-24 X 2 (SS)
34	2031854	HINGE-MACH. SS	71	2333101	NUT-10-24 NYLOCK UNC-2B
35	2010100	KNOB-TILT	72	2301310	SCREW-8-18 X 1/2 SS [2.EA]
36	2333001	E-RING- SS	73	2301710	WASHER-INSUL. (TRANSF.BAR) [2.EA]

RT50/S

* This item is part of an assembly. This item cannot be sold separately due to machining and /or assembly that is required.

RT50/S

12-volt

BLACK LEADS B-
CÂBLES NOIRS B-
CONECTORES
PRETO B-
CONDUTORES NEGRO B-

